

eXtreme® CAT 6+ Component-Rated UTP Connector

APPLICATION

The eXtreme CAT 6+ Connector is designed to be used with all QuickPort® compatible products. The connectors include patented Retention Force Technology which promotes consistent performance over the life of the system. Includes unique pair separation towers allowing for quicker and easier terminations. The connector is in a 180° configuration with the punch field in the back, allowing for rear termination.



SPECIFICATION

The connector shall meet or exceed the requirements for channel and component-level performance described in ANSI/TIA-568-C.2 Category 6 standards. The connector shall be individual snap-in style. The connectors shall also be in compliance with all National Electrical Codes; compliant with ANSI/TIA-1096-A; UL listed; and independently verified. In addition to Category 6 compliance, the connector shall have the ability to support high megabit and shared-sheath applications. All plastics used in construction of the connector bodies shall be fire-retardant with a UL flammability rating of 94V-0. Termination of all connectors shall be 110-type insulation displacement connectors (IDC). The connector shall provide a ledge directly adjacent to the 110-style termination against which the wires can be terminated and cut in one action by the installation craftsman. Connector wiring is universal and will accommodate installation color codes for T568A and T568B wiring schemes. The termination field shall be in the rear for easy access. The connector shall fit in a variety of telecommunications wallplates, outlets and field-configurable patch panels and patch blocks.

Page 1 of 2

FEATURES

- Terminates 26-22 AWG solid conductors
- Capable of multiple reterminations
- Gas-tight IDC connectors prevent corrosion
- Dual-layer T568B/T568A wiring label simplifies punchdown
- Patented Retention Force Technology protects tines from damage from 4- or 6-pin plugs
- Pair Separation Tower design facilitates separation of conductors and minimizes untwisting
- 180° configuration allowing for rear termination
- Available in 13 ANSI/TIA-606-B compatible colors for color coding or organization

DESIGN CONSIDERATIONS

- Use in any QuickPort housing to support eXtreme 6+ UTP connectivity in surface mount, flush mount, or modular furniture outlets and field configurable panels
- Can be used in conjunction with other QuickPort snap-in modules for voice/data and video applications over UTP, coax and fiber

STANDARDS COMPLIANCE

ANSI/TIA-568-C.2
ISO/IEC 11801
ANSI/TIA-1096-A (formerly FCC Part 68)
cULus Listed

PHYSICAL SPECIFICATIONS

Dimensions: See page 2
Materials: Connector body is high-impact, fire-retardant plastic rated UL 94V-0. Spring wire contacts are high quality copper-based alloy, plated with 50 micro-inches of gold over 100 micro-inches of nickel for lowest contact resistance, maximum life.

COUNTRY OF ORIGIN

USA

WARRANTY INFORMATION

For a copy of Leviton product warranties, visit www.leviton.com/warranty.

Leviton Network Solutions
2222 - 222nd St. SE
Bothell, WA 98021-4416

tel 1-800-824-3005
tel +1-425-486-2222
appeng@leviton.com
www.leviton.com

Asia / Pacific
T +1.631.812.6228
E infoasean@leviton.com

Europe
T +33.6.8869.1380
E infoeurope@leviton.com

Canada
T +1.514.954.1840
E pcservice@leviton.com

India / SAARC
T +91.80.4322.5678
E infoindia@leviton.com

Caribbean
T +1.954.593.1896
E infocaribbean@leviton.com

Mexico
T +52.55.5082.1040
E lsamarketing@leviton.com

China
T +852.2774.9876
E infochina@leviton.com

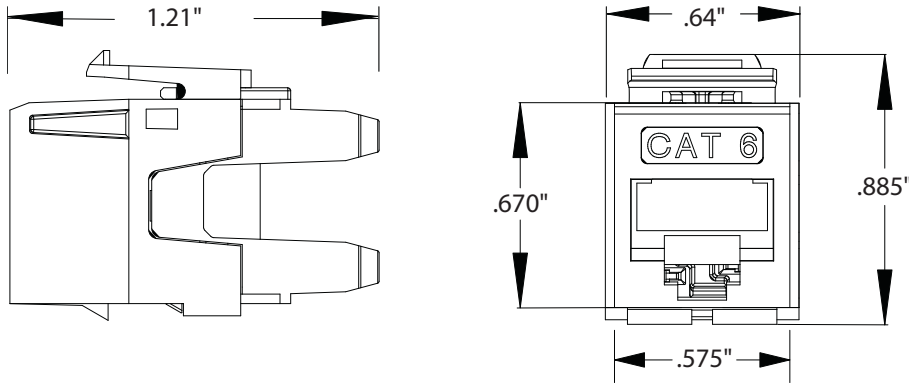
Middle East & Africa
T +971.4.886.4722
E lmeinfo@leviton.com

Colombia
T +57.1.743.6045
E infocolombia@leviton.com

South Korea
T +82.2.3273.9963
E infokorea@leviton.com

ELECTRONIC FILES

For CAD files, typical specs, or technical drawings (.DXF, .DWG), visit www.leviton.com.



61110-xx6

TIA-568-C.2 CAT 6 PARAMETERS

Connecting Hardware Requirements

	@ 100MHz	@ 250MHz
Insertion Loss (IL)	0.20	0.32
Near-end Crosstalk (NEXT)	54.0	46.0
Far-end Crosstalk (FEXT)	43.1	35.1
Return Loss (RL)	24.0	16.0
Transverse Conversion Loss (TCL)	28.0	20.0
Transverse Conversion Transfer Loss (TCTL)	28.0	20.0

*All requirements are minimum allowable except IL requirements are maximum allowable. Connecting hardware shall meet requirements of all parameters from 1-250 MHz. Values in above table are only at specific frequencies and are for references only.

PART NUMBERS

Description	Part No.	QuickPack® 25/Bag
eXtreme® CAT 6+ Connector, white	61110-RW6	61110-BW6
eXtreme CAT 6+ Connector, ivory	61110-RI6	61110-BI6
eXtreme CAT 6+ Connector, light almond	61110-RT6	61110-BT6
eXtreme CAT 6+ Connector, grey	61110-RG6	61110-BG6
eXtreme CAT 6+ Connector, black	61110-RE6	61110-BE6
eXtreme CAT 6+ Connector, orange	61110-RO6	61110-BO6
eXtreme CAT 6+ Connector, blue	61110-RL6	61110-BL6
eXtreme CAT 6+ Connector, crimson red	61110-RC6	61110-BC6
eXtreme CAT 6+ Connector, yellow	61110-RY6	61110-BY6
eXtreme CAT 6+ Connector, green	61110-RV6	61110-BV6
eXtreme CAT 6+ Connector, purple	61110-RP6	61110-BP6
eXtreme CAT 6+ Connector, brown	61110-RB6	61110-BB6
eXtreme CAT 6+ Connector, dark red	61110-RR6	61110-BR6



Leviton Network Solutions
2222 - 222nd St. SE
Bothell, WA 98021-4416

Asia / Pacific
T +1.631.812.6228
E infoasean@leviton.com

Canada
T +1.514.954.1840
E pcservice@leviton.com

Caribbean
T +1.954.593.1896
E infocaribbean@leviton.com

China
T +852.2774.9876
E infochina@leviton.com

Colombia
T +57.1.743.6045
E infocolombia@leviton.com

tel 1-800-824-3005
tel +1-425-486-2222
appeng@leviton.com
www.leviton.com

Europe
T +33.6.8869.1380
E infoeurope@leviton.com

India / SAARC
T +91.80.4322.5678
E infoindia@leviton.com

Mexico
T +52.55.5082.1040
E lsamarketing@leviton.com

Middle East & Africa
T +971.4.886.4722
E lmeinfo@leviton.com

South Korea
T +82.2.3273.9963
E infokorea@leviton.com