

QuickPort® Multimedia Outlet System (MOS)

Flush-Mount Wallplates

APPLICATION

For flush-mount workstation connectivity of copper, multimedia and fiber applications. Wallplates accept snap-in singlemode/multimode duplex ST and SC couplings, IEEE 802.5 token ring openings, and all QuickPort snap-in connectors, including: fiber, voice data, and multimedia.

STANDARDS COMPLIANCE

UL listed. Complies with TIA/EIA-568-A; and meets FCC Part 68. Made in the USA.

PHYSICAL SPECIFICATIONS

Capacity: Each wallplate opening ("gang") has a three-unit capacity for connector inserts:

- three 1-unit high inserts;
- two 1.5-unit high inserts;
- one 2-unit high insert and one 1-unit high; or
- one 3-unit high insert.

Single-gang wallplate has three units' worth of space, providing 1 to 6 ports (depending on the configuration). Dual-gang wallplate has 6 units' worth of space, providing 1 to 12 ports (depending on the configuration).

Materials: High-impact self-extinguishing ABS plastic rated UL 94V-0

Dimensions: Single-Gang: 4.5"H x 2.75"W x .5"D
Dual-Gang: 4.5"H x 4.56"W x .5"D

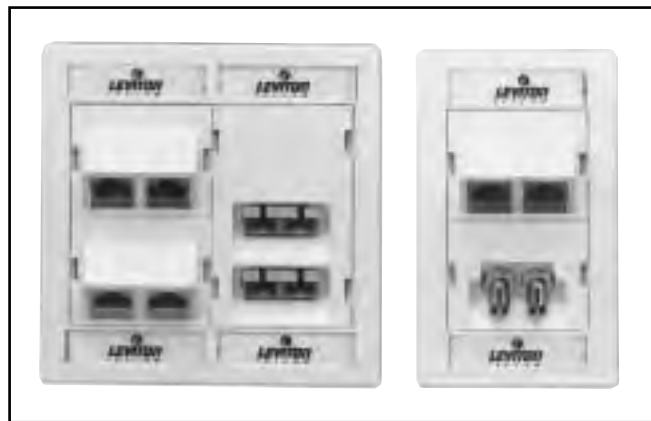
DESIGN CONSIDERATIONS

- Accepts 1-, 1.5-, 2- and 3-unit high inserts. Use 2-port QuickPort Module Adapter (flush or angled versions) to house simplex QuickPort modules.
- Put blanks in unused spaces to leave room for future expansion.
- Plates mount to standard NEMA openings, single- & dual-gang backboxes, or four-square boxes with appropriate reducer/adapter.
- For port ID, different colored modules may be used, or labels can be applied in the protected label identification windows.
- Use where an aesthetic flush-mount look is important.
- A dual-gang plate can be used with fiber storage ring (41290-DR*).

UNIQUE FEATURES

- An adapter accepts 1 or 2 QuickPort modules, so modules from any existing installed QuickPort product can be used to upgrade to the multimedia outlet system.
- Slotted mounting holes let installers level the plate if backbox is crooked.

See ELECTRONIC FILES for CAD files (.DXF, .DWG, MS-DOS.EPS) on disk



For ELECTRONIC Typical Specs see (.TXT) file on disk.

TYPICAL SPECIFICATION

Wallplates shall be front-loading, individual port configurable such that reconfiguration shall be possible from the front without requiring removal or detachment of the wallplate. Wallplate mounting screw holes shall be slotted to permit leveling in crooked wallboxes, and shall be hidden behind labeling identification windows at top and bottom of each wallplate opening. Label areas shall be compatible with TIA/EIA-606 labeling requirements. Wallplates shall be available in the following colors: Ivory, white, grey or black. Connectors shall be available in 13 colors, to allow color-coded port ID. Colors and configurations to be specified per schedule on plan. The manufacturer shall provide a one-year limited product warranty and 15 year product performance guarantee. The manufacturer shall provide a lifetime warranty against defects in material and workmanship and an application guarantee when installed as part of a certified system.

INSTALLATION NOTES

- The plate attaches with screws to wallbox or backbox. Inserts snap in/out of wallplate from front. Self-leveling feature allows adjustment. (See instructions provided with wallplate.)
- Limit wire untwisting to 1/2" from termination point.
- Limit cable jacket removal to a minimum.
- Observe cable manufacturer's recommended bend radius.

WARRANTY INFORMATION

- One-year limited product warranty and 15-year performance guarantee are standard.
- Product and performance warranties are extended to a Lifetime as part of Leviton's Certified Cabling System.



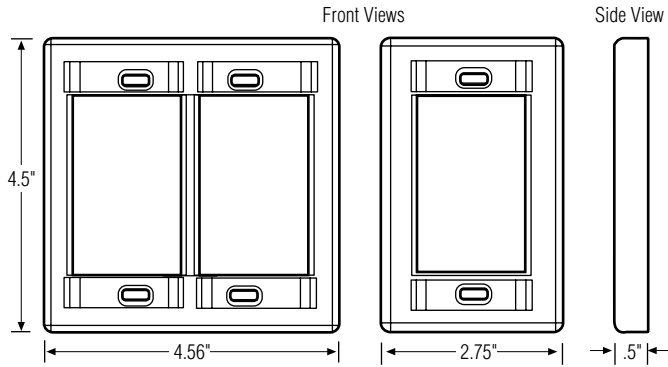
For Applications Engineering Support – Call 1-425-485-4288; in USA call 1-800-722-2082
Spec sheets and updates are also available at www.levitonvoicedata.com.

QuickPort® Multimedia Outlet System (MOS)

Part Number 41290-xMx

DIMENSIONAL LINE ART

See ELECTRONIC FILES for CAD images
(.DXF, .DWG, MS-DOS.EPS)



PART NUMBERS

Multimedia Outlet System Faceplates	Part No.
Single Gang	41290-SM*
Dual Gang	41290-DM*
* = color Ivory (I), White (W), Grey (G), Black (E)	
Note: Port I.D. cards/windows cover wallplate mounting screws.	

For Applications Engineering Support – Call 1-425-485-4288; in USA call 1-800-722-2082.
Spec sheets and updates are also available at www.levitonvoicedata.com.

