

Category 5 Connector

APPLICATION

Leviton's Category 5 Connector is designed for use with all QuickPort® compatible products.

FEATURES

- Features T568A and T568B wiring labels for 110-style terminations.
- Available in 13 colors.

STANDARDS COMPLIANCE

Meets or exceeds all applicable standards. UL Listed; meets or exceeds TIA/EIA-568-B Category 5 performance requirements and FCC part 68.

PHYSICAL SPECIFICATIONS

Dimensions: .783"H x .575"W x 1.178"D
Materials: Connector body is high-impact, fire-retardant plastic rated UL 94V-0. Spring wire contacts are high quality phosphor bronze, plated with 50 micro-inches of gold over 100 micro-inches of nickel for lowest contact resistance, maximum life. Connector 110 IDC contacts are solder-plated phosphor bronze.

DESIGN CONSIDERATIONS

- Use in any QuickPort connector housing to support Category 5 UTP applications in surface mount, flush mount, or modular furniture environments.
- Can be used in conjunction with other QuickPort snap-in modules for voice/data and video applications over UTP, coax and fiber.
- For port identification, use different colored connectors for each application (13 connector colors available), or pre-printed Port Designation Labels.

WARRANTY INFORMATION

For a copy of Leviton product warranties, log on to www.levitonvoicedata.com/warranty.

See ELECTRONIC FILES for CAD files (.DXF, .DWG, MS-DOS.EPS) on disk



For ELECTRONIC Typical Specs see (.TXT) file on disk.

TYPICAL SPECIFICATION

The Category 5 Connectors shall be individual snap-in style, and provide compliance with TIA/EIA-568-B specifications. The connectors shall also be in compliance with all National Electrical Codes and FCC Part 68; UL listed; and independently UL Certified to meet Category 5 requirements. All plastics used in construction of the connector bodies shall be fire-retardant with a UL flammability rating of 94 V-0. Termination of all connectors shall be 110-style IDC with solder-plated phosphor bronze contacts and 50 micro-inches of gold. The connector shall provide a ledge directly adjacent to the 110-style termination against which the wires can be directly terminated and cut in one action by the installer.

Category 5 Connector



For Technical Support Call 1-425-485-4288; in USA call 1-800-824-3005.
Spec sheets and updates are also available at www.levitonvoicedata.com.

2222 - 222nd St. SE • Bothell, WA 98021 USA
Tel: 1-800-722-2082 / 1-425-485-4288 • Fax: 1-425-483-5270 • Int'l Fax: 1-425-485-9170 • GSA Schedule Available.



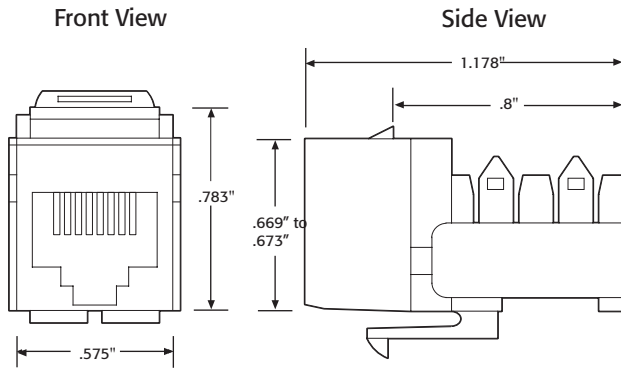
Category 5 Connector

Part Number
41108-xx5

.....

DIMENSIONAL LINE ART

See ELECTRONIC FILES for CAD images
(.DXF, .DWG, MS-DOS.EPS)



PART NUMBERS

Description	Part No.
Category 5 QuickPort 8-conductor Connector	41108-R*5
Category 5 QuickPort 8-conductor Connector, keyed	41108-K*5

*= Colors Choices: (I) Ivory, (W) White, (G) Grey, (E) Black, (O) Orange, (L) Blue, (C) Crimson Red, (Y) Yellow, (V) Green, (P) Purple, (A) Almond, (B) Brown, (R) Dark Red.



For Technical Support Call 1-425-485-4288; in USA call 1-800-824-3005.
Spec sheets and updates are also available at www.levitonvoicedata.com.



2222 - 222nd St. SE • Bothell, WA 98021 USA • Tel: 1-800-722-2082 / 1-425-485-4288 • Fax: 1-425-483-5270 • Int'l Fax: 1-425-485-9170 • GSA Schedule Available.