



## PolEvator™ Camera Lowering Pole

Save money, time and labor with the innovative Moog PolEvator. One technician, using a standard drill, can quickly, easily and safely service or repair pole-mounted cameras without the need for high-reach devices, such as bucket trucks, ladders or multiple technicians. With its unique, patented, self-lubricating lowering mechanism, the Moog PolEvator is built to smoothly lower its payload to ground level yet withstand harsh outdoor conditions.

Constructed of extruded aluminum, the PolEvator is designed to withstand high wind gusts of 150mph, resulting in little to no picture distortion. Available in 16' or 18' models, the PolEvator accepts a wide range of cameras and video surveillance accessories.

### Features

- Cost-effective solution eliminates the need for renting expensive bucket trucks and reduces labor requirements
- Solid construction; designed to reduce or eliminate vibration from strong wind loads up to 150mph
- Patented, self-lubricating lowering mechanism, withstands many up-down iterations
- Factory wired plug n' play, includes power, video and data connections
- Compatible with most major camera manufacturers. (Contact a Moog associate for appropriate mounting brackets)
- Increases safety for technicians and surroundings
- **US Patent #6,447,150 B1**



# PolEvator™

## 16' PolEvator:

### PV16N

16' Free-standing aluminum pole complete with universal mounting plate, flexible shaft lowering tool, lifting plate, power and data connections and video input

## 18' PolEvator:

### PV18N

PV16N with 2' transformer base. Base includes NEMA box, terminal strip, 115Vac to 24Vac transformer and surge protection for video / data

## Additional Benefits:

- Universal mounting plate for compatibility with other manufactures' cameras and housings
- Factory wired for both network and analog camera systems
- Anchor jig (sold separately) provides ideal solution for securing pole into ground
- Cordless drill is the only tool necessary to lower and raise the PolEvator
- Pole provides increased field of view

## Accessories:



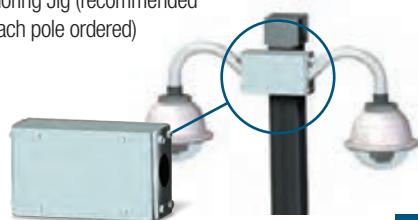
**PV1**  
Lightning Rod for Free-standing poles



**PV4**  
Anchoring Jig (recommended for each pole ordered)



**PV6**  
Dual illuminator bracket (IR not included)



**PV8**  
Pole mount for two dome installation (Gooseneck bracket(s) not included)

## Product Specifications

Construction	PV16N / PV18N:	Extruded aluminum	
Dimensions	PV16N:	16 feet height	(4.75" x 4.75" Pole + 12" x 12" Base)
	PV18N:	18 feet height	(4.75" x 4.75" Pole + 13" x 13" Base)
Weight	PV16N:	155 Lbs. (70.3 Kg.)	
	PV18N:	200 Lbs. (90.72 Kg.)	
Loading	Max Wind Capacity:	35 Lbs. at 12u (Max)	
	Max Wind Load:	150mph	
Mounting Plate	Mounting Pattern:	5.5" x 2" (4) 3/8"-16 threaded inserts	
Max Housing Height	PV16N:	15.5' raised / 5' lowered'	
	PV18N:	17.2' raised / 6.7' lowered	

## Shipping Specifications

Model	Shipping Weight	Box Dimensions
PV16	300 Lbs. (124.74 Kg.)	16' x 12" x 12" (406.4 x 304.8 x 304.8mm)
PV18	300 Lbs. (124.74 Kg.)	16' x 12" x 12" (452.12 x 304.8 x 304.8mm)
The PV18 also includes the following items, separately boxed:		
Terminal Base:	36 Lbs. (15.42 Kg.)	22.5" x 15" x 18" (571.5 x 381 x 457.2mm)
NEMA Box:	10 Lbs. (4.54 Kg.)	18" x 11" x 7" (457.2 x 279.4 x 177.8mm)

\*\* Call Moog for complete dimensional information on separately boxed items.

## Cost Savings with the PolEvator:

With the PolEvator's patented, self-lowering capabilities you will save on high cost fees associated with servicing pole mounted surveillance systems.

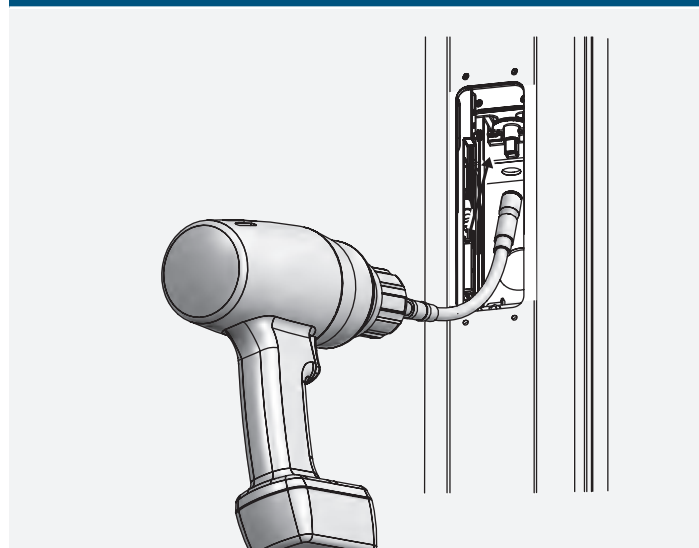
Invoice	
Item	Unit Price
Bucket Truck	\$ 975.00
(Average service calls per year – 3; average daily truck rental - \$325)	
Cost of Technicians	\$ 120.00
(Most jobs require at least two technicians for safety reasons. \$20/hr x 3 visits x 1 hr / visit x 2 techs)	
Cost of Slower Response Time	\$ 250.00
(Delays in scheduling can result in substantial loss of revenue from the service)	
Cost of Training	\$ 15.00
(Some facilities require personnel operating bucket trucks to be trained)	
Administrative Costs	\$ 150.00
(Scheduling of personnel, paperwork required for insurance and / or government purposes, etc)	
<b>Total Yearly Cost Estimate**</b>	<b>\$1,510.00</b>

**\*\* NOTE:** This is an estimate based on focus groups & industry information. Costs may vary with location & other factors.

## Mechanical Specifications

Load Screws:	1" diameter stainless steel
Bearings:	Stainless steel and polymer
Protective:	EPDM rubber
High Flex Composite Cable:	(2) RG179 coax cable (1) CAT6 stranded cable
	(6) 14-gauge wires for power, control, or twisted pair

## Diagram of Self-Servicing Mechanism



# MOOG

Sensor and Surveillance Systems