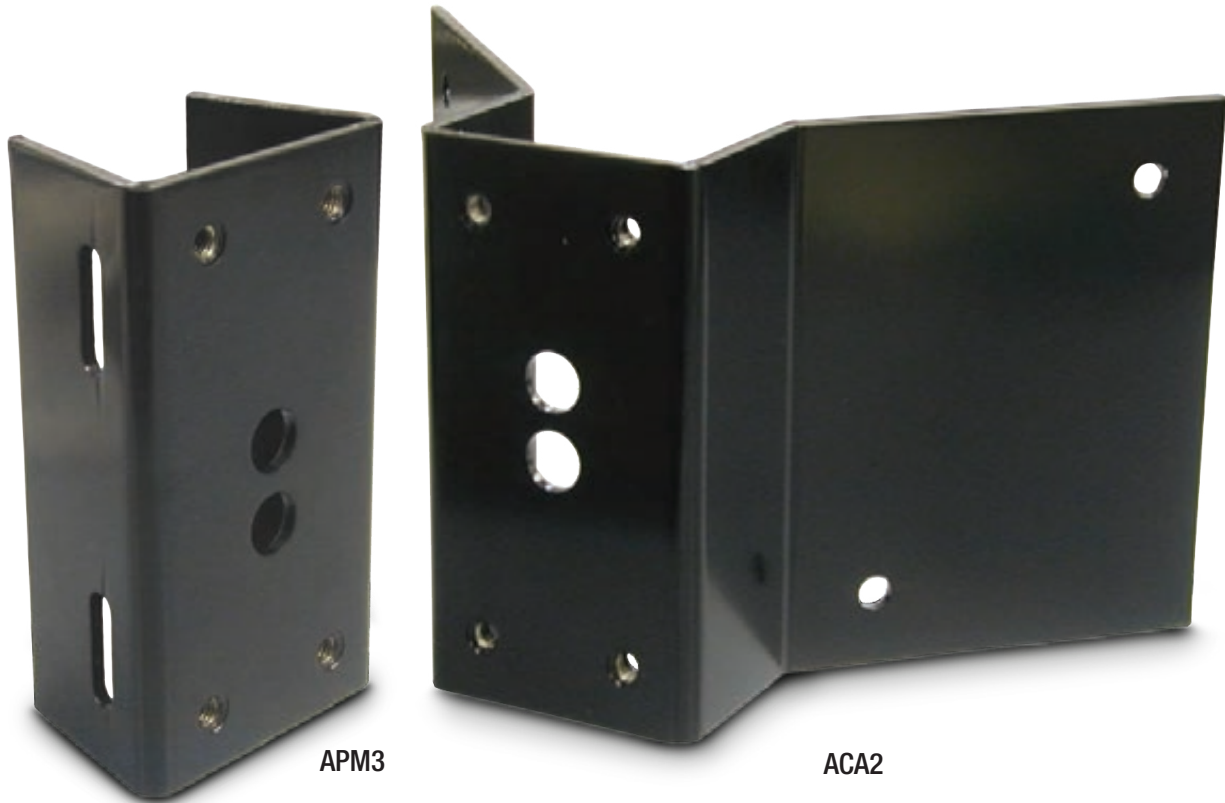


# MOOG

## VIDEOLARM

© 2011, Moog Videolarm, Inc. All Rights Reserved



## AMP3 & ACA2

Outdoor Dome Housing Brackets and Mounts

[www.videolarm.com](http://www.videolarm.com)

Installation and Operation Instructions for the following models:

- |      |   |
|------|---|
| APM3 | Aluminum pole mount bracket with female inserts   |
| ACA2 | Aluminum corner mount bracket with female inserts |

Before attempting to connect or operate this product, please read these instructions completely.

81-IN5206  
12-21-2011

## IMPORTANT SAFEGUARDS

- 1 Read these instructions.
- 2 Keep these instructions.
- 3 Heed all warnings
- 4 Follow all instructions.
- 5 Do not use this apparatus near water.
- 6 Clean only with damp cloth.
- 7 Do not block any of the ventilation openings. Install in accordance with the manufacturers instructions.
- 8 Cable Runs- All cable runs must be within permissible distance.
- 9 Mounting - This unit must be properly and securely mounted to a supporting structure capable of sustaining the weight of the unit.

### Accordingly:

- a. The installation should be made by a qualified installer.
  - b. The installation should be in compliance with local codes.
  - c. Care should be exercised to select suitable hardware to install the unit, taking into account both the composition of the mounting surface and the weight of the unit.
- 10 Do not install near any heat sources such as radiators, heat registers, stoves, or other apparatus ( including amplifiers) that produce heat.
  - 11 Do not defeat the safety purpose of the polarized or grounding-type plug. A polarized plug has two blades with one wider than the other. A grounding type plug has two blades and a third grounding prong. The wide blade or the third prong are provided for your safety. When the provided plug does not fit into your outlet, consult an electrician for replacement of the obsolete outlet.
  - 12 Protect the power cord from being walked on or pinched particularly at plugs, convenience receptacles, and the point where they exit from the apparatus.
  - 13 Only use attachment/ accessories specified by the manufacturer.
  - 14 Use only with a cart, stand, tripod, bracket, or table specified by the manufacturer, or sold with the apparatus. When a cart is used, use caution when moving the cart/ apparatus combination to avoid injury from tip-over.
  - 15 Unplug this apparatus during lightning storms or when unused for long periods of time.
  - 16 Refer all servicing to qualified service personnel. Servicing is required when the apparatus has been damaged in any way, such as power-supply cord or plug is damaged, liquid has been spilled or objects have fallen into the apparatus, the apparatus has been exposed to rain or moisture, does not operate normally, or has been dropped.

Be sure to periodically examine the unit and the supporting structure to make sure that the integrity of the installation is intact. Failure to comply with the foregoing could result in the unit separating from the support structure and falling, with resultant damages or injury to anyone or anything struck by the falling unit.

## UNPACKING

**Unpack carefully. Electronic components can be damaged if improperly handled or dropped. If an item appears to have been damaged in shipment, replace it properly in its carton and notify the shipper.**

### Be sure to save:

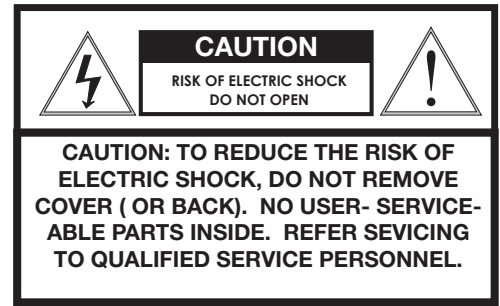
- 1 **The shipping carton and packaging material. They are the safest material in which to make future shipments of the equipment.**
- 2 **These Installation and Operating Instructions.**

## SERVICE

If technical support or service is needed, contact us at the following number:

TECHNICAL SUPPORT  
AVAILABLE 24 HOURS  
1 - 800 - 554 - 1124

## SAFETY PRECAUTIONS



The lightning flash with an arrowhead symbol, within an equilateral triangle, is intended to alert the user to the presence of non-insulated "dangerous voltage" within the product's enclosure that may be of sufficient magnitude to constitute a risk to persons.

Este símbolo se piensa para alertar al usuario a la presencia del "voltaje peligroso no-aislado" dentro del recinto de los productos que puede ser un riesgo de choque eléctrico.

Ce symbole est prévu pour alerter l'utilisateur à la présence "de la tension dangereuse" non-isolée dans la clôture de produits qui peut être un risque de choc électrique.

Dieses Symbol soll den Benutzer zum Vorhandensein der nicht-isolier "Gefährdungsspannung" innerhalb der Produkteinschließung alarmieren die eine Gefahr des elektrischen Schlages sein kann.

Este símbolo é pretendido alertar o usuário à presença "di tensão perigosa non-isolada" dentro do cerco dos produtos que pode ser um risco de choque elétrico.

Questo simbolo è inteso per avvertire l'utente alla presenza "di tensione pericolosa" non-isolata all'interno della recinzione dei prodotti che può essere un rischio di scossa elettrica.



The exclamation point within an equilateral triangle is intended to alert the user to presence of important operating and maintenance (servicing) instructions in the literature accompanying the appliance.

Este símbolo del punto del exclamation se piensa para alertar al usuario a la presencia de instrucciones importantes en la literatura que acompaña la aplicación.

Ce symbole de point d'exclamation est prévu pour alerter l'utilisateur à la présence des instructions importantes dans la littérature accompagnant l'appareil.

Dieses Ausruf Punktsymbol soll den Benutzer zum Vorhandensein de wichtigen Anweisungen in der Literatur alarmieren, die das Gerät begleitet.

Este símbolo do ponto do exclamation é pretendido alertar o usuário à presença de instruções importantes na literatura que acompanha o dispositivo.

Questo simbolo del punto del exclamation è inteso per avvertire l'utente alla presenza delle istruzioni importanti nella letteratura che accompagna l'apparecchio.



# Limited Warranty for Moog Videolarm Products

Moog Videolarm warrants these products to be free from defects in material or workmanship as follows:

PRODUCT CATEGORY	PARTS \ LABOR
All Enclosures and Electronics*	Five (5) Years
Poles/PolEvators™/CamEvator	Three (3) Years
Warrior Series™/Q-View™/IR Illuminators	Five (5) Years
SView Series™	Five (5) Years **6 months if used in auto scan/tour operation
Controllers	Five (5) Years
Power Supplies	Five (5) Years
EcoKit	Three (3) Years
Accessory Brackets	Five (5) Years
Liberty Dome	Three (3) Years
*DeputyDome™, NiteTrac™, Igloo Dome, PurgeDome™	Three (3) Years **6 months if used in auto scan/tour operation

During the labor warranty period, to repair the Product, Purchaser will either return the defective product, freight prepaid, or deliver it to Moog Videolarm Inc. Decatur GA. The Product to be repaired is to be returned in either its original carton or a similar package affording an equal degree of protection with a RMA # (Return Materials Authorization number) displayed on the outer box or packing slip. To obtain a RMA# you must contact our Technical Support Team at 800.554.1124, extension 101. Moog Videolarm will return the repaired Product freight prepaid to Purchaser. Moog Videolarm is not obligated to provide Purchaser with a substitute unit during the warranty period or at any time. After the applicable warranty period, Purchaser must pay all labor and/or parts charges.

The limited warranty stated in these product instructions is subject to all of the following terms and conditions.

## TERMS AND CONDITIONS

**1. NOTIFICATION OF CLAIMS; WARRANTY SERVICE:** If Purchaser believes that the Product is defective in material or workmanship, then written notice with an explanation of the claim shall be given promptly by Purchaser to Moog Videolarm. All claims for warranty service must be made within the warranty period. If after investigation Moog Videolarm determines the reported problem was not covered by the warranty, Purchaser shall pay Moog Videolarm for the cost of investigating the problem at its then prevailing per incident billable rate. No repair or replacement of any Product or part thereof shall extend the warranty period of the entire Product. The specific warranty on the repaired part only shall be in effect for a period of ninety (90) days following the repair or replacement of that part or the remaining period of the Product parts warranty, whichever is greater.

**2. EXCLUSIVE REMEDY; ACCEPTANCE:** Purchaser's exclusive remedy and Moog Videolarm's sole obligation is to supply (or pay for) all labor necessary to repair any Product found to be defective within the warranty period and to supply, at no extra charge, new or rebuilt replacements for defective parts.

**3. EXCEPTIONS TO LIMITED WARRANTY:** Moog Videolarm shall have no liability or obligation to Purchaser with respect to any Product requiring service during the warranty period which is subjected to any of the following: abuse, improper use, negligence, accident, lightning damage or other acts of God (i.e., hurricanes, earthquakes), modification, failure of the end-user to follow the directions outlined in the product instructions, failure of the end-user to follow the maintenance procedures recommended by the International Security Industry Organization, written in product instructions, or recommended in the service manual for the Product. Furthermore, Moog Videolarm shall have no liability where a schedule is specified for regular replacement or maintenance or cleaning of certain parts (based on usage) and the end-user has failed to follow such schedule; attempted repair by non-qualified personnel; operation of the Product outside of the published environmental and electrical parameters, or if such Product's original identification (trademark, serial number) markings have been defaced, altered, or removed. Moog Videolarm excludes from warranty coverage Products sold AS IS and/or WITH ALL FAULTS and excludes used Products which have not been sold by Moog Videolarm to the Purchaser. All software and accompanying documentation furnished with, or as part of the Product is furnished "AS IS" (i.e., without any warranty of any kind), except where expressly provided otherwise in any documentation or license agreement furnished with the Product. Any cost associated with removal of defective product and installation of replacement product is not included in this warranty.

**4. PROOF OF PURCHASE:** The Purchaser's dated bill of sale must be retained as evidence of the date of purchase and to establish warranty eligibility.

### DISCLAIMER OF WARRANTY

EXCEPT FOR THE FOREGOING WARRANTIES, Moog Videolarm HEREBY DISCLAIMS AND EXCLUDES ALL OTHER WARRANTIES, EXPRESS OR IMPLIED, INCLUDING, BUT NOT LIMITED TO ANY AND/OR ALL IMPLIED WARRANTIES OF MERCHANTABILITY, FITNESS FOR A PARTICULAR PURPOSE AND/OR ANY WARRANTY WITH REGARD TO ANY CLAIM OF INFRINGEMENT THAT MAY BE PROVIDED IN SECTION 2-312(3) OF THE UNIFORM COMMERCIAL CODE AND/OR IN ANY OTHER COMPARABLE STATE STATUTE. Moog Videolarm HEREBY DISCLAIMS ANY REPRESENTATIONS OR WARRANTY THAT THE PRODUCT IS COMPATIBLE WITH ANY COMBINATION OF NON-Moog Videolarm PRODUCTS OR NON-Moog Videolarm RECOMMENDED PRODUCTS PURCHASER MAY CHOOSE TO CONNECT TO THE PRODUCT.

### LIMITATION OF LIABILITY

THE LIABILITY OF Moog Videolarm, IF ANY, AND PURCHASER'S SOLE AND EXCLUSIVE REMEDY FOR DAMAGES FOR ANY CLAIM OF ANY KIND WHATSOEVER, REGARDLESS OF THE LEGAL THEORY AND WHETHER ARISING IN TORT OR CONTRACT, SHALL NOT BE GREATER THAN THE ACTUAL PURCHASE PRICE OF THE PRODUCT WITH RESPECT TO WHICH SUCH CLAIM IS MADE. IN NO EVENT SHALL Moog Videolarm BE LIABLE TO PURCHASER FOR ANY SPECIAL, INDIRECT, INCIDENTAL, OR CONSEQUENTIAL DAMAGES OF ANY KIND INCLUDING, BUT NOT LIMITED TO, COMPENSATION, REIMBURSEMENT OR DAMAGES ON ACCOUNT OF THE LOSS OF PRESENT OR PROSPECTIVE PROFITS OR FOR ANY OTHER REASON WHATSOEVER.

## Included Components

### APM3

- (4) Hex Head Bolts (3/8" - 16 x 1")
- (4) Lock Washers (3/8")
- (4) Flat Washers (3/8")

### PACKAGED HARDWARE:

Hardware **not** included  
(metal straps)

### ACA2

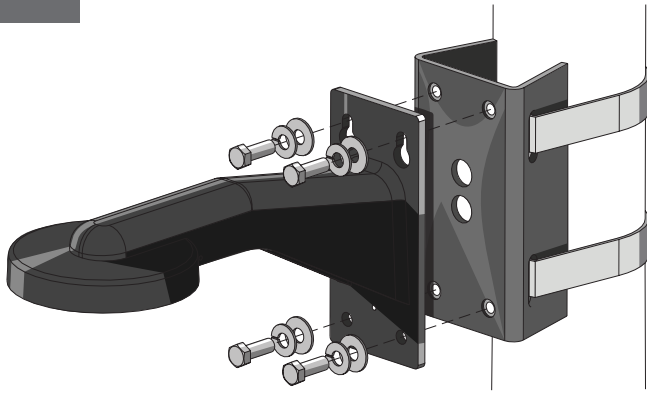
- (4) Hex Head Bolts
- (4) Lock Washers (3/8")
- (4) Flat Washers (3/8")

### PACKAGED HARDWARE:

Hardware **not** included  
(screws)

1

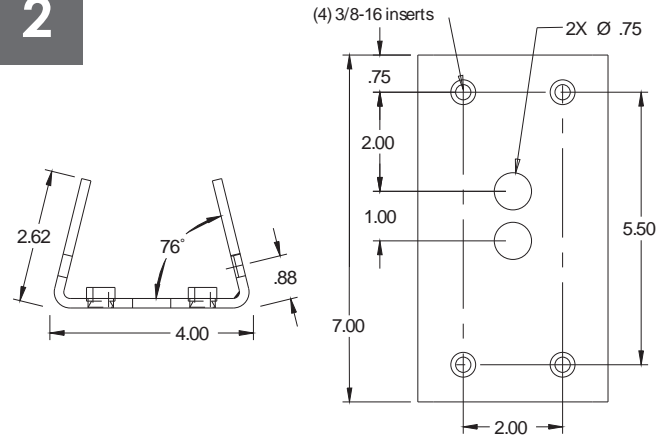
APM3



Mount the bracket assembly to the pole using metal straps (not supplied). Combine the wall mount with the pole mount adapter and securely attach the hardware.

- Monte el montaje de soporte al poste usando correas del metal (no provisto). Combine el montaje de la pared con el adaptador del montaje del poste y una con seguridad el hardware.
- Montez le support au poteau en utilisant des courroies en métal (non fourni). Combinez le bâti de mur avec l'adaptateur de bâti de poteau et attachez solidement le matériel.
- Bringen Sie den Haltewinkel zum Pfosten mit Metallbügeln an (nicht geliefert). Kombinieren Sie die Wandbefassung mit dem Pfosteneinfassung Adapter und bringen Sie sicher die Kleinteile an.
- Monte o conjunto de suporte ao pólo usando cintas do metal (não fornecido). Combine a montagem da parede com o adaptador da montagem do pólo e una firmemente a ferragem.
- Montì il complessivo staffa al palo usando le cinghie del metallo (non fornito). Unisca il supporto della parete con l'adattatore del supporto del palo e saldamente fissi i fissaggi.

2

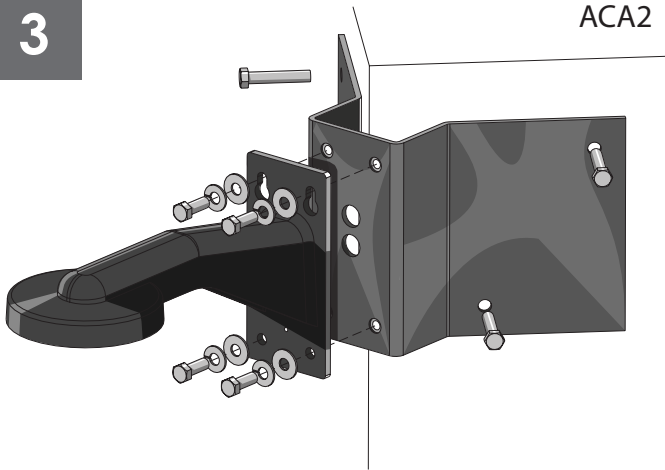


### APM3 Dimensions

- Dimensiones APM3
- Dimensions APM3
- Maße APM3
- Dimensões APM3
- Dimensioni APM3

3

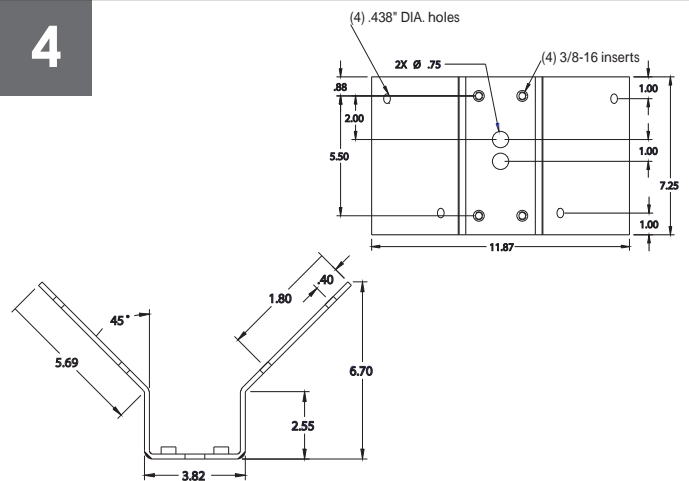
ACA2



Mount the bracket assembly to the corner location using hardware. Combine wall mount with corner mount adapter and attach using hardware.

- Monte el montaje de soporte a la localización de la esquina usando el hardware (no provisto). Combine el montaje de la pared con el adaptador de la esquina del montaje y únalo con el hardware.
- Montez le support à l'endroit faisant le coin à l'aide du matériel (non fourni). Combinez le bâti de mur avec l'adaptateur faisant le coin de bâti et l'attachez à l'aide du matériel.
- Bringen Sie den Haltewinkel zur Eckposition mit Kleinteilen an (nicht geliefert). Kombinieren Sie Wandbefassung mit Eckbefassung Adapter und bringen Sie mit Kleinteilen an.
- Monte o conjunto de suporte à posição de canto usando a ferragem (não fornecido). Combine a montagem da parede com o adaptador de canto da montagem e una-a usando a ferragem.
- Montì il complessivo staffa alla posizione d'angolo per mezzo dei fissaggi (non fornito). Unisca il supporto della parete con l'adattatore d'angolo del supporto e fissi per mezzo dei fissaggi.

4



### ACA2 Dimensions

- Dimensiones ACA2
- Dimensions ACA2
- Maße ACA2
- Dimensões ACA2
- Dimensioni ACA2

# Product Registration/Warranty

Thank you for choosing Moog Videolarm. We value your patronage and are solely committed to providing you with the highest quality products available and superior customer service.

Should a problem arise, rest assure that Moog Videolarm stands behind its products by offering impressive warranty plans: 3 Years on all Housings, Poles, Power Supplies, and Accessories and 5 Years on camera systems (SView, QView, Warriors), and InfraRed Illuminators.



## Register Your Products Online

Take a few moments and validate your purchase via the Online Product Registration Form at  
[www.videolarm.com/productregistration.jsp](http://www.videolarm.com/productregistration.jsp)

**Register your recent Moog Videolarm purchases and benefit from the following:**

- Simple and Trouble-Free RMA process
- Added into customer database to receive product updates / news
- Eliminate the need to archive original purchase documents:  
Receipts, Purchase Orders, etc...