

# ■ PENDANT MOUNT ■

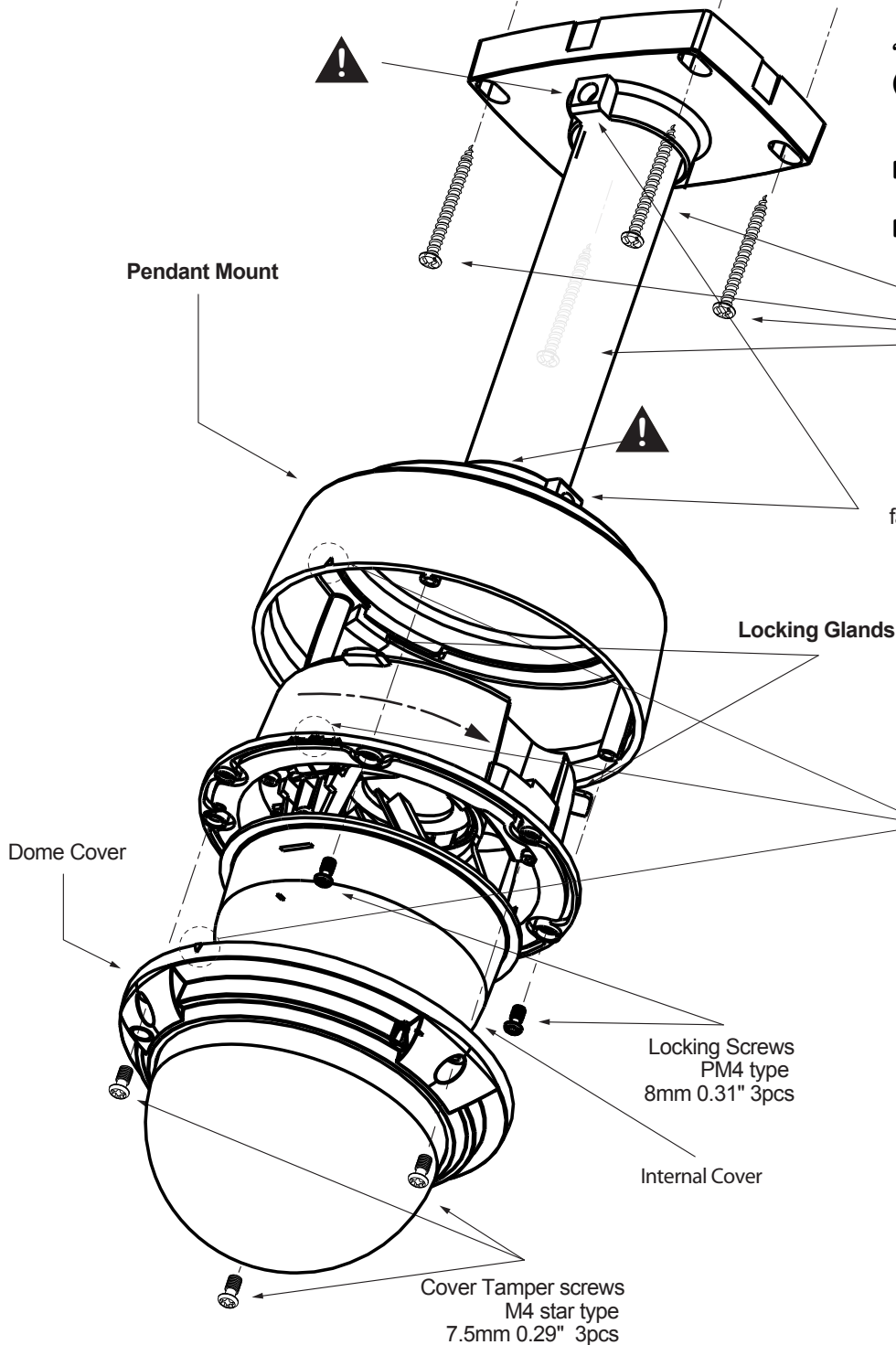
## Model No. MNTV2XC

Compatible with Digimerge Dome Camera models:

DPV24DL / DPV24D // DPV24TLX



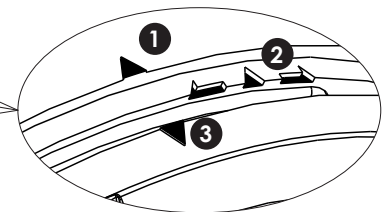
“NOTE: Teflon tape should be used (Also known as PTFE tape) to ensure a weatherproof seal for the areas indicated with an exclamation mark”  
Remove Pendant Mount from conduit pipe and apply teflon tape to thread.  
Reassemble, securing tightly.



30mm 1.2" Screws  
PA4 Type 4pcs

“Mount assembly screws can be fastened using allen key provided with vandal dome camera.”

Locking Glands



NOTE: Base(2) inserted where the arrow mark matches arrow on cap(1), then twist to lock into position. Dome cover arrow(3) should also match with dome cap(1) arrow.

Locking Screws  
PM4 type  
8mm 0.31" 3pcs

Internal Cover

Cover Tamper screws  
M4 star type  
7.5mm 0.29" 3pcs

### Pendant Mount packing list.

Pendant Mount	1pc
30mm 1.2" Screws	4pcs
30mm 1.2" plugs	4pcs
Locking Screws PM4	3pcs
Mounting Template	1pc