

■ WALL MOUNT ■

Model No. MNTV2XW

Compatible with Digimerge Dome Camera models:

DPV24DL / DPV24D / DPV24TLX

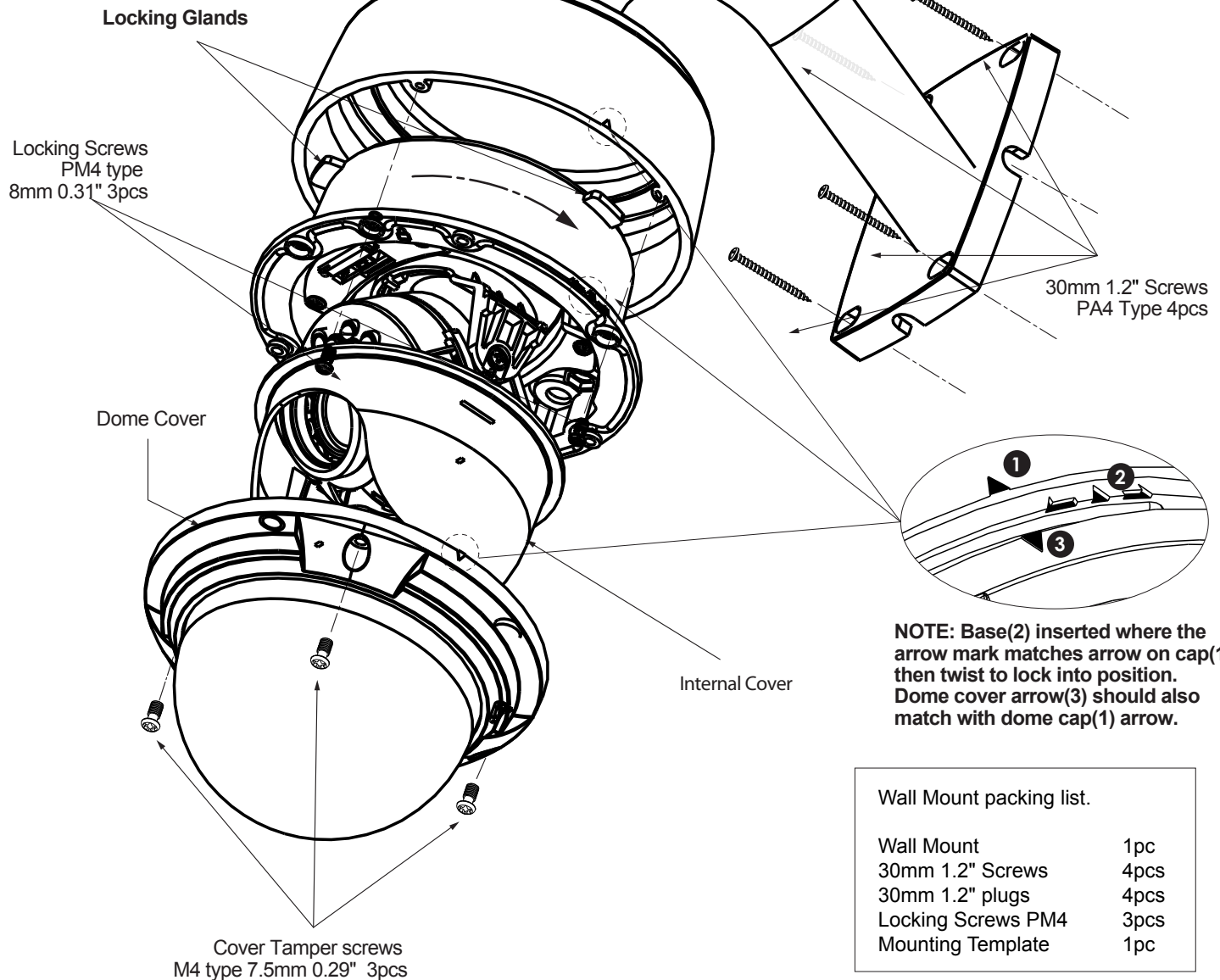
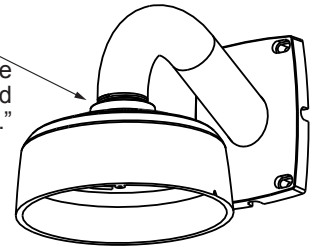


“ NOTE: Teflon tape should be used
(Also known as PTFE tape) to ensure a weatherproof
seal for the areas indicated with an exclamation mark”

Remove Pendant Mount from conduit pipe and
apply teflon tape to thread. Reassemble, securing tightly.



“Mount assembly screws can be
fastened using allen key provided
with vandal dome camera.”



NOTE: Base(2) inserted where the
arrow mark matches arrow on cap(1),
then twist to lock into position.
Dome cover arrow(3) should also
match with dome cap(1) arrow.

Wall Mount packing list.

Wall Mount	1pc
30mm 1.2" Screws	4pcs
30mm 1.2" plugs	4pcs
Locking Screws PM4	3pcs
Mounting Template	1pc