

## UNINSULATED SPLICES

BURNDY® manufactures several designs of uninsulated butt splices. Each type is designed to meet specific application requirements and provide a high quality, electrical splice connection that is easily installed. The following features and benefits apply to all BURNDY® uninsulated splices.

### Features and Benefits

- Manufactured from seamless tubing.
  - ◇ A high quality design with no seams to split.
- Electrolytic copper.
  - ◇ Provides maximum conductivity, low resistance and ductility for excellent crimp forming properties.
- Electro-tin plated.
  - ◇ Provides durable long lasting resistance to corrosion.
- Positive center wire stops.
  - ◇ Provides proper depth of wire insertion.
- Marked with wire size.
  - ◇ Provides easy wire size identification.
- The HYLINK™ splice connectors have inspection holes.
  - ◇ Provides easy visual inspection for proper wire insertion.

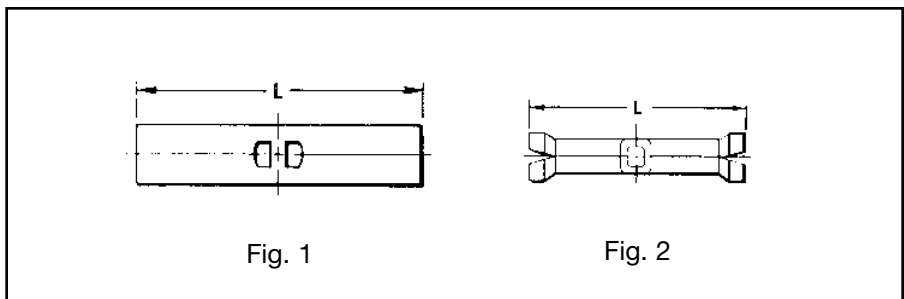
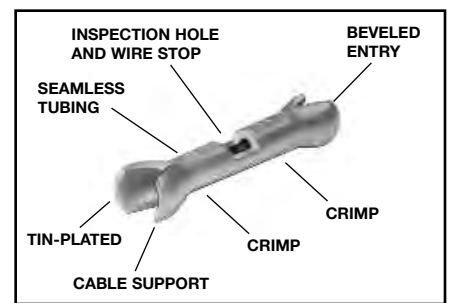
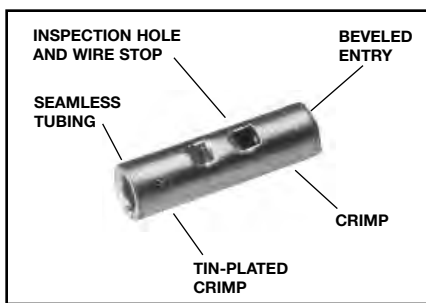
## TYPES YSV, YSV-H AND YSV-L

### HYLINK™

Uninsulated Butt Splice  
600 Volts Maximum

HYLINK™ type YSV seamless splice connector is used to splice stranded and solid copper conductors in virtually all heavy duty industrial and general purpose applications.

The type YSV-H HYLINK™ seamless splice connector has the added benefit of an insulation support and cable strain relief.



Catalog Number	Wire Range Code AWG Str. and Sol. Aircraft-AN	Fig.	Dimensions		Bulk Catalog Number	Installation Tooling HYTOOL™	Wire Strip Length
			L	Max. Dia.			
<b>YSV18 BOX</b>	22-18	1	.62	—	<b>YSV18</b>	Non-Ratchet: Y10D, Y1022 Ratchet: MR20, Y8MRB-1, MR8-9Q*, MR8-G98	1/4"
<b>YSV18-H BOX</b>	Str. & Sol.	2	.89	.120	<b>YSV18-H</b>		1/4"
<b>YSV14 BOX</b>	20-14 Str.	1	.64	—	<b>YSV14</b>		5/16"
<b>YSV14-H BOX</b>	20-12 Sol.	2	.94	.150	<b>YSV14-H</b>		5/16"
<b>YSV10 BOX</b>	12-10	1	.75	—	<b>YSV10</b>	Non-Ratchet: MY28, MY29-3, MY29-11 Ratchet: Y8MRB-1†, MR8-9Q*, Y1MRTC ▲	5/16"
<b>YSV10-H BOX</b>	Str. & Sol.	2	1.06	.192	<b>YSV10-H</b>		7/16"
<b>YSV9C-L BOX</b>	9 Str.	1	.75	—	<b>YSV9C-L</b>		5/16"
<b>YSV8C-L BOX</b>	8 Str.	1	1.00	—	<b>YSV8C-L</b>		7/16"

\* Remove stop plate.  
▲ Y1MRTC for 8 Str. only  
† Use #10 groove  
**Note:** Use MR8 series tools for (-H) series.

Blue highlighted items are industry standard and most frequently ordered.