

MAXRACK™ OPEN FRAME SYSTEM



FEATURES

- Rack can be assembled to accommodate either 19- or 23-in. rack equipment
- Racks can be ganged to create rows for high density applications
- 19-in. configuration equals typical tile width of 24 in.
- Flat package to allow easy shipping and handling to job site
- Press-in nuts enable single-side easy assembly
- All structural members are grounded by special grounding and bonding washers
- Top has integrated waterfall, which ensures proper cable radius is achieved
- Top and top bracket support accommodate parallel or perpendicular ladder or basket tray mounting applications
- Channel uprights provided with hole patterns to support various cable management devices
- All RU positions marked with white lettering on front and rear column members
- Easy-to-follow complete installation instructions included
- Upright channels tapped 12-24 holes per EIA Universal pattern standards
- Multiple paint-free grounding points per UL double-lugged standards
- Rack accommodates vertical cable manager accessories

INDUSTRY STANDARDS

UL 1863 Listed; File Number E230874
cUL Listed per CSA C22.2 No. 182.4; File No. E230874

Cisco developer registered
EIA 310-D

APPLICATION

MAXRACK™ is used for mounting and securing 19- or 23-in. rack equipment that is used in data centers, telecommunication rooms and other locations. These open frame racks are ideal for high-density cabling applications. MAXRACK also supports the cabling and cooling needs of large core switches (CISCO Catalyst 6509 / 6513, NEXUS 7010 and NEXUS 7018) by using the combination air baffle/vertical cable manager accessory. MAXRACK, with its vast features, supports many diverse applications.

SPECIFICATIONS

- Top and uprights made of multi-formed .125-in. aluminum
- Base angles made of extruded aluminum
- White RU-marked uprights per EIA standards
- Tapped 12-24 holes per EIA Universal pattern standards

LOAD RATING

Static maximum load is 2500 lbs/1134 kg.

ACCESSORIES

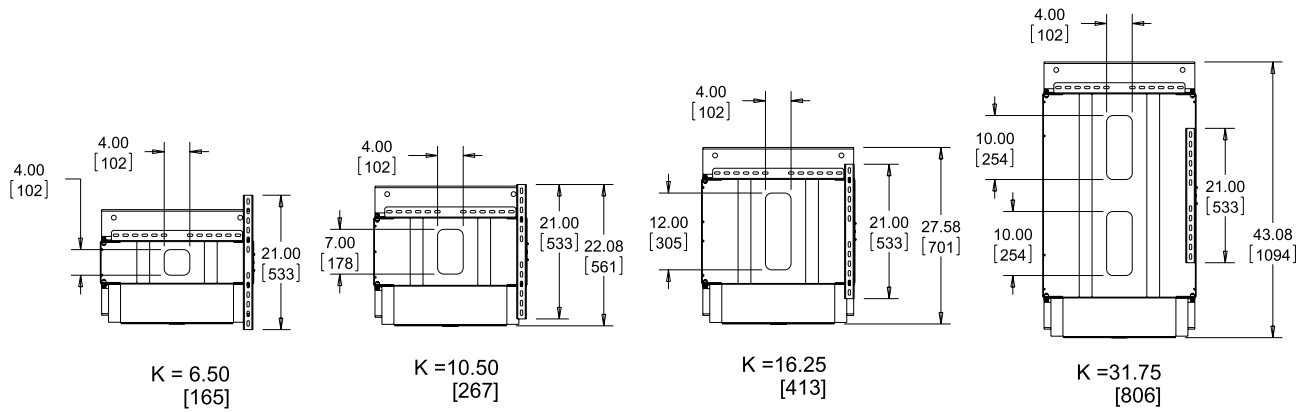
Vertical Cable Managers
Blanking Panels
Grounding kits
PDUs
Shelves

BULLETIN: DMAX

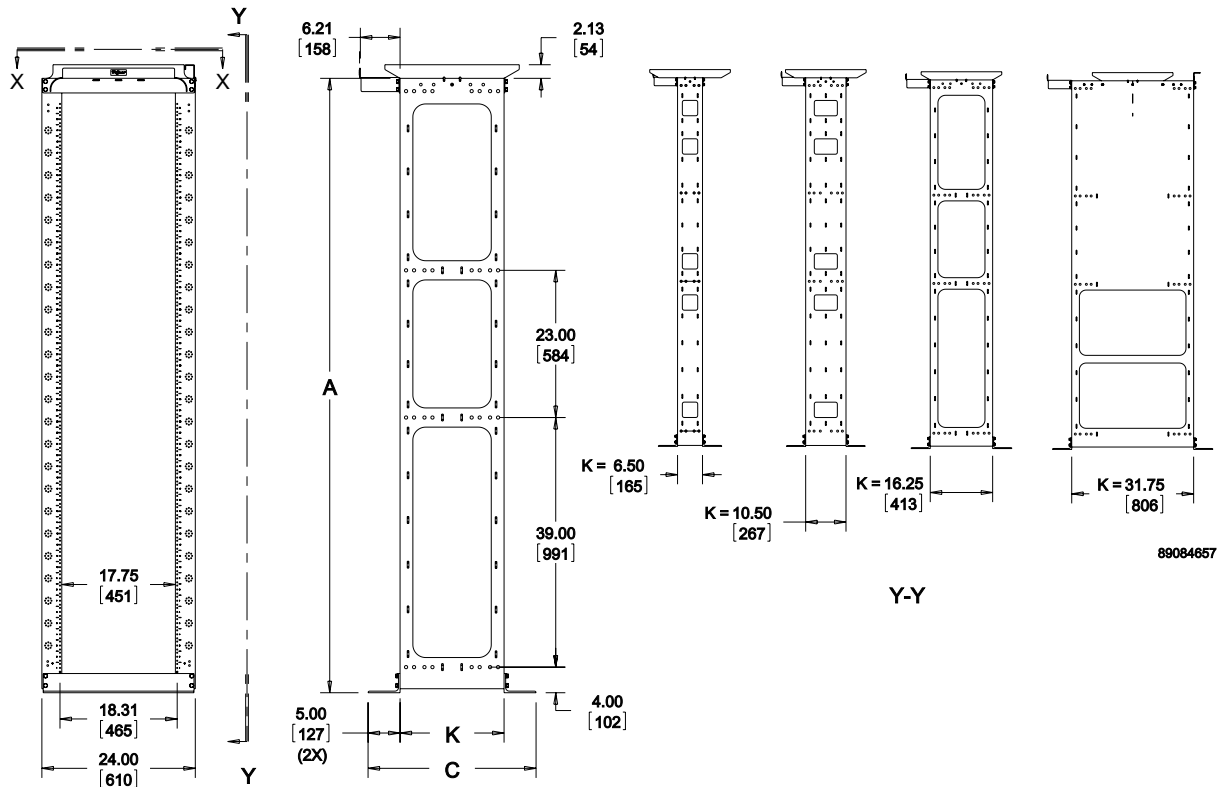
Standard Product MAXRACK Open Frame System

Catalog Number	AxBxC in.	AxBxC mm	Rack Units	G (in.)	G (mm)	K (in.)	K (mm)
M846B45	86.13 x 24.00 x 16.50	2188 x 610 x 419	45	14.00	356	6.50	165
M8410B45	86.13 x 24.00 x 20.50	2188 x 610 x 521	45	18.00	457	10.50	267
M8416B45	86.13 x 24.00 x 26.25	2188 x 610 x 667	45	23.75	603	16.25	413
M8432B45	86.13 x 24.00 x 41.75	2188 x 610 x 1060	45	39.25	997	31.75	806
M966B51	98.13 x 24.00 x 16.50	2493 x 610 x 419	51	14.00	356	6.50	165
M9610B51	98.13 x 24.00 x 20.50	2493 x 610 x 521	51	18.00	457	10.50	267
M9616B51	98.13 x 24.00 x 26.25	2493 x 610 x 667	51	23.75	603	16.25	413
M9632B51	98.13 x 24.00 x 41.75	2493 x 610 x 1060	51	39.25	997	31.75	806



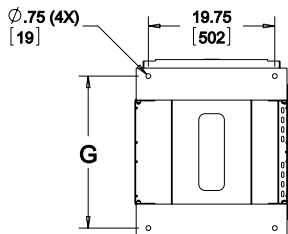


X-X



89084657

Y-Y

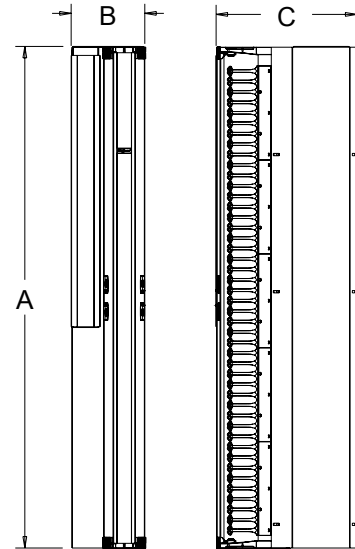


MAXRACK™ AIR BAFFLE AND CABLE MANAGERS FOR CISCO SWITCH

MAXRACK™ Air baffle and Vertical Cable Manager accessory kits ensure CISCO switch compliance. They provide the required cold air access and provisions for high-density cabling. Baffles and cable manager uprights made of aluminum; supporting fingers made of composite. Finish is RAL 9005 black light-textured, low-gloss polyester powder paint.

Cisco developer registered.

BULLETIN: DMAX



89084658

Standard Product **MAXRACK Air Baffle and Cable Managers for CISCO Switch**

Catalog Number	AxBxC in./mm	Use with CISCO Switch	Use with MAXRACK
M84D12	84.13 x 12.00 x 23.68 2137 x 305 x 601	Catalyst 6509/6513	M8416B45
M84D18	84.13 x 18.00 x 39.37 2137 x 457 x 1000	NEXUS 7018	M8432B45
M96D12	96.13 x 12.00 x 23.68 2442 x 305 x 601	Catalyst 6509/6513	M9616B45
M96D18	96.13 x 18.00 x 39.37 2442 x 457 x 1000	NEXUS 7018	M9632B45

MAXRACK™ DUST COVER



Dust Cover fits over the top of the base angles, inside the uprights. Covers are made of aluminum with matching RAL 9005 black light-textured, low-gloss polyester powder paint.

BULLETIN: DMAX

Standard Product **MAXRACK Dust Cover**

Catalog Number	AxBxC in./mm	Fits MAXRACK Depth
MDC6	1.00 x 17.95 x 7.33 25 x 456 x 186	6-in.
MDC10	1.00 x 17.95 x 11.33 25 x 456 x 288	10-in.
MDC16	1.00 x 17.95 x 17.08 25 x 456 x 434	16-in.
MDC32	1.00 x 17.95 x 32.58 25 x 456 x 828	32-in.