

Rugged Dome Camera

High-res, 600 TVL Camera

OVERVIEW

The TruVision™ Rugged Dome Camera offers high-resolution video and multiple features that make it well suited to a variety of applications. Utilizing the latest CCD and DSP technologies, the camera delivers 600 TVL resolution and 0.01 lux sensitivity for outstanding performance. A built-in IR illuminator (on TVD-6125 models) provides details within the field of view even when no other illumination is applied.

Equipped with Digital Noise Reduction capabilities, the TruVision rugged dome camera offers excellent video quality even under variable and harsh light conditions. Its Adaptive Tone Reproduction (ATR) reveals details under wide dynamic range conditions, while Highlight Compensation (HLC) technology suppresses intense situations such as bright vehicle headlights.

A varifocal lens and removable IR cut filter that provides true day/night surveillance makes the TruVision rugged dome camera ideal for both indoor and outdoor applications. Its weatherproof, vandal-resistant enclosure offers additional durability and reliable value.



STANDARD FEATURES

- Over 600 TVL resolution
- True day/night (removable IR cut filter)
- Adaptive Tone Reduction (ATR) provides superior video quality under wide dynamic light conditions
- Highlight compensation (HLC) technology suppresses bright headlights
- Digital Noise Reduction (DNR) for enhanced security
- Varifocal lens: 2.8 to 12 mm @ f1.4
- OSD menus for easy camera configuration onsite
- 3-axis gimbal bracket
- IP66 rating for weather-resistant performance
- Vandal-resistant, rugged enclosure
- 12 VDC or 24 VAC power input
- Adapter plate included for electrical gang boxes

Rugged Dome Camera

High-res, 600 TVL Camera

North America
T 855-286-8889

Asia
T 852-2907-8108

Australia
T 61-3-9239-1200

Europe
T 32-2-725-11-20

Latin America
T 561-998-6114

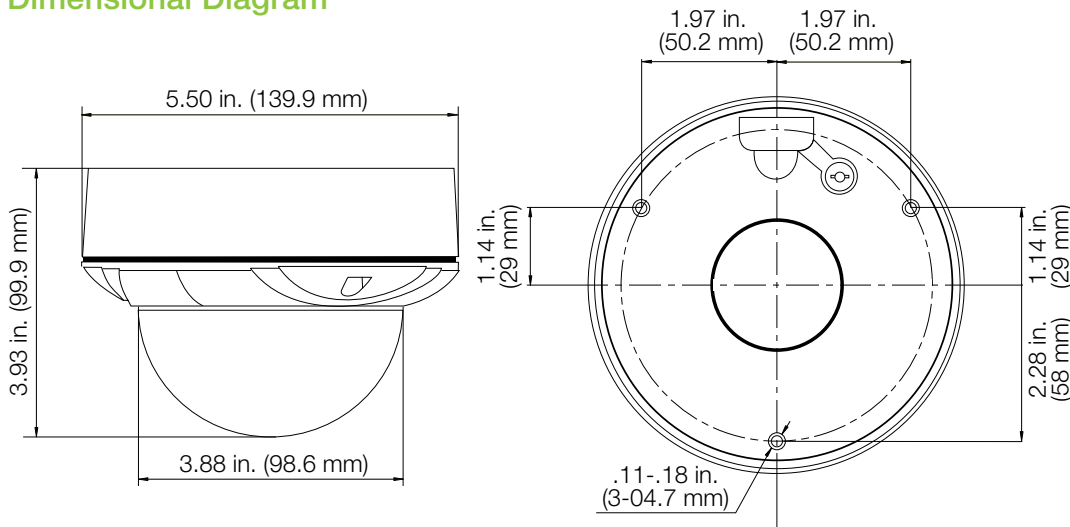
Specifications

Model	TVD-6120VE-2-N (-P)	TVD-6125VE-2-N (-P)
Pickup Device	1/3" Super HAD CCD II	
Total Pixels (H x V)	NTSC: 811 x 508 / PAL: 795 x 596	
Effective Pixels	NTSC: 768 x 494 / PAL: 752 x 582	
Resolution	600 TVL	
Synchronization System	Internal/Line up	
Scanning Mode	2:1 interlace	
IR Cut	Yes	
S/N Ratio	52 dB (AGC OFF)	
Electronic Shutter	PAL: 1/50 s to 1/10,000 s NTSC: 1/60s to 1/10,000 s	
Minimum Illumination	0.01 lux (f1.2, AGC x1)	0.00 lux IR On
IR Illumination Range	NA	20 to 30m (66 to 99 ft.)
Video Output	1 Vp-p composite output (75 Ω/BNC)	
White Balance	ATW/PUSH/USER1/USER2/ANTI CR/MANUAL/PUSH LOCK	
Lens Type	2.8 to 12 mm at F1.4 Angle of view: 91° to 30°	
Wide Dynamic Range	ATR	
Digital Noise Reduction	2DNR	
Highlight Compensation	HLC	
Motion Detection	Yes: 4 separate monitor areas	
Privacy Mask	Yes: 8 mask areas (4 when motion detection is ON)	
Power Supply	24 VAC / 12 VDC	24 VAC / 12 VDC
Current	290 mA	375 mA
Power Consumption	Max. 3.5 W	Max. 4.5 W
Operating Temperature	-30 to +50°C (-22 to 122°F)	
Operating Temperature (cold start)	-10 to +50°C (14 to 122°F)	
Weight	800 g (1.76 lbs)	

Ordering Information

TVD-6120VE-2-N	TruVision Rugged Dome Camera, 600 TVL, BNC, 12 VDC/24 VAC, NTSC
TVD-6125VE-2-N	TruVision Rugged Dome Camera, 600 TVL, BNC, IR illumination, 12 VDC/24 VAC, NTSC
TVD-6120VE-2-P	TruVision™ Rugged Dome Camera, 600 TVL, BNC, 12 VDC/24 VAC, PAL
TVD-6125VE-2-P	TruVision Rugged Dome Camera, 600 TVL, BNC, IR illumination, 12 VDC/24 VAC, PAL

Dimensional Diagram



Specifications subject to change without notice.

© 2012 Interlogix. All rights reserved.

208-3553 2012/09 (71412C)



interlogix.com