

Pretium® Wall-Mountable Housings (PWH)

A LANscape® Pretium® Solutions Product

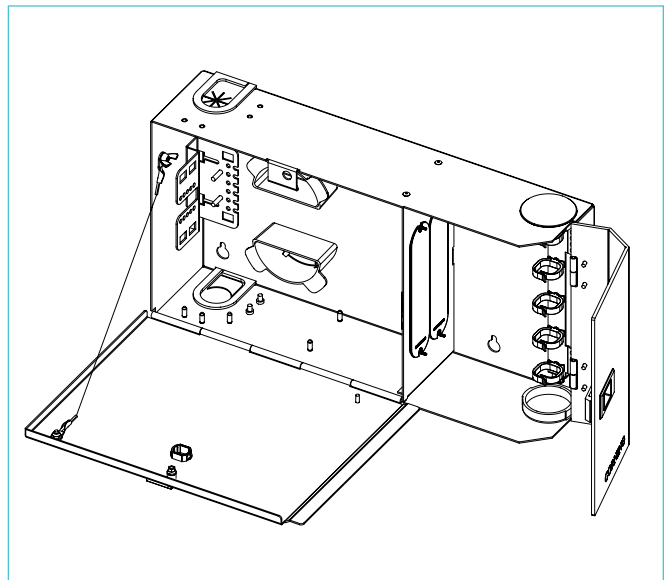
features and benefits |

Rugged metal construction	Durability
Drop-down front door	Allows for temporary work shelf
Jumper routing guides	Easy fiber management
Interconnect and cross-connect capabilities	Variety of applications
Field-installable lock kit (optional)	Additional security
Splice tray holder (optional)	Easier field splicing

Corning Cable Systems Pretium® Wall-Mountable Housings (PWH) provide interconnect or cross-connect capabilities between the outside plant, riser or distribution cables and the opto-electronics, and they are designed to hold Plug & Play™ Universal Systems modules. Available in two, four, six and 12 panels, the rugged metal housings can be wall-mounted in main cross-connects or telecommunication rooms. Units accept standard CCH connector panels and modules and include jumper routing guides as well as a bracket for securing buffer tube fan-out kits. The optional cable strain-relief kit (PWH-STRNRLF-KIT) is designed for easier installation and the standoff bracket (PWH-STDOFF-BKT) extends the PWH from the wall to allow cable routing behind the housing. Brackets can also be stacked to increase the amount of space for routing. An optional field-installable lock kit is available for additional security.



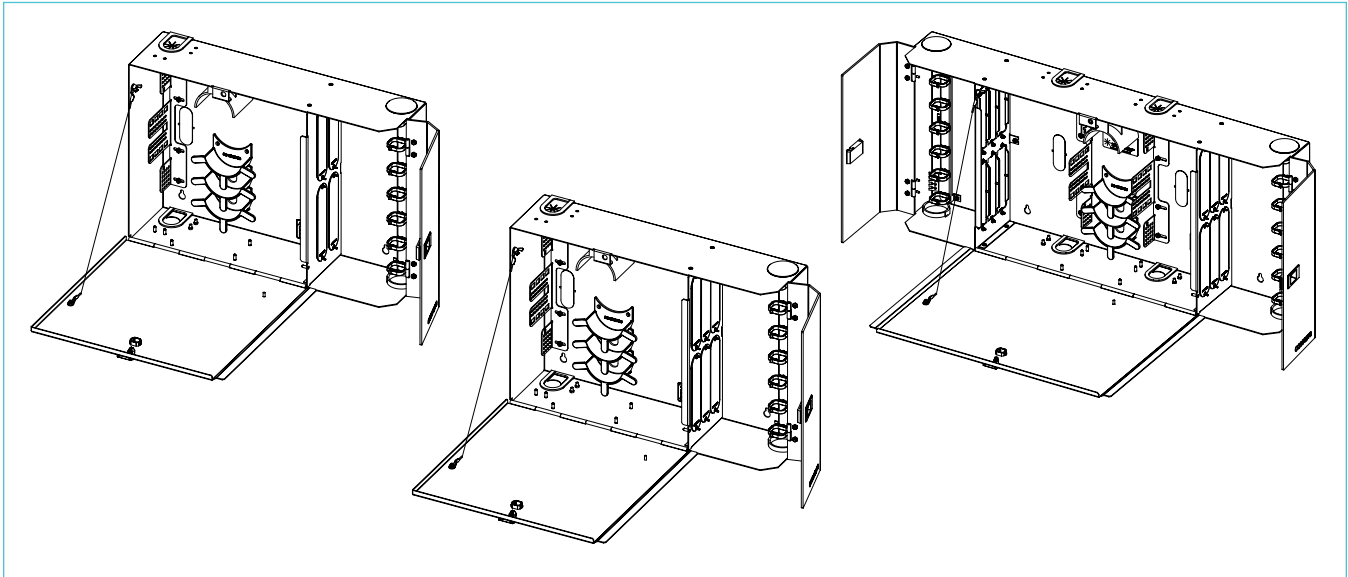
Pretium Wall-Mountable Housing (PWH)
| Photo LAN763



PWH-02P (accepts up to 2 CCH panels)
| Drawing ZA-3078

Pretium® Wall-Mountable Housings (PWH)

A LANscape® Pretium®
Solutions Product



PWH-04P (accepts up to 4 CCH panels), PWH-06P (accepts up to 6 CCH panels) and PWH-12P (accepts up to 12 CCH panels) (shown left to right) | Drawing ZA-3453

specifications |

	Dimensions* (H x W x D) cm (in)	Shipping Weight kg (lb)
PWH-02P	23.9 x 44.5 x 10.2 (9.4 x 17.5 x 4.0)	5.0 (11)
PWH-04P	36.6 x 53.3 x 13.5 (14.4 x 21.0 x 5.3)	10.4 (23)
PWH-06P	36.6 x 53.3 x 13.5 (14.4 x 21.0 x 5.3)	10.4 (23)
PWH-12P	36.6 x 82.6 x 13.5 (14.4 x 32.5 x 5.3)	10.9 (24)

*Doors in closed position.

Pretium® Wall-Mountable Housings (PWH)

A LANscape® Pretium®
Solutions Product

ordering information |

Part Number	Description
PWH-02P	Pretium® Wall-Mountable Connector Housing that will accept up to 2 CCH panels or modules
PWH-04P	Pretium Wall-Mountable Connector Housing that will accept up to 4 CCH panels or modules
PWH-06P	Pretium Wall-Mountable Connector Housing that will accept up to 6 CCH panels or modules
PWH-12P	Pretium Wall-Mountable Connector Housing that will accept up to 12 CCH panels or modules
Accessories	
PWH-STDOFF-BKT	Wall-Mountable Connector Housing Wall Stand-off Brackets for -04P, -06P and -12P; brackets provide a 1-in spacing from wall
PWH-STDOFF-BKT-02P	Wall-Mountable Connector Housing Wall Stand-off Brackets for -02P; brackets provide a 1-in spacing from wall
PWH-STRNRLF-KIT	Optional External Cable Strain-Relief Kit that utilizes Corning Cable Systems Universal Cable Clamp; includes bracket, mounting hardware, one strain-relief clamp and one multi-cable insert that will hold up to five cables less than 0.4 inches in diameter
HDWR-LOCK-KIT	Lock Kit for front door of housing; contains one lock with two keys
PWH-RJSR	Strain-Relief Bracket for PWH; holds up to three size 0 plugs (Plug & Play™ Universal Systems trunks)
Optional Splice Tray Holders	
PWH-SPLC-04-12P	Splice Tray Holder for PWH-04P, PWH-06P and PWH-12P; accommodates (12) 0.2-in-thick (Type 2R) or (6) 0.4-in-thick (Type 4R) reduced-length splice trays*
PWH-SPLC-02P	Splice Tray Holder for PWH-02P; accommodates (4) 0.2-in-thick (Type 2R) or (2) 0.4-in-thick (Type 4R) reduced-length splice trays*
Slack Storage	
PWH-SSH-02-06P	Wall-Mountable Slack Storage Housing for PWH-02P, PWH-04P and PWH-06P; accommodates (4) 0.2-in-thick (Type 2R) or (2) 0.4-in-thick (Type 4R) reduced-length splice trays*
PWH-SSH-12P	Wall-Mountable Slack Storage Housing for PWH-12P; accommodates (8) 0.2-in-thick (Type 2R and 2S) or (4) 0.4-in-thick (Type 4R and Type 4S) standard or reduced-length splice trays or (4) UST splice trays*

* Splice trays and connector panels must be ordered separately.

Pretium® Wall-Mountable Housings (PWH)

A LANscape® Pretium®
Solutions Product

notes |

Corning Cable Systems LLC • PO Box 489 • Hickory, NC 28603-0489 USA
800-743-2675 • FAX: 828-325-5060 • International: +1-828-901-5000 • www.corning.com/cablesystems

Corning Cable Systems reserves the right to improve, enhance and modify the features and specifications of Corning Cable Systems products without prior notification. LANscape and Pretium are registered trademarks of Corning Cable Systems Brands, Inc. Plug & Play is a trademark of Corning Cable Systems Brands, Inc. All other trademarks are the properties of their respective owners. Corning Cable Systems is ISO 9001 certified. © 2007, 2012 Corning Cable Systems. All rights reserved. Published in the USA. LAN-778-EN / October 2012