

Fiber Connector Slack Storage Shelf (CCS-01U-SLK)

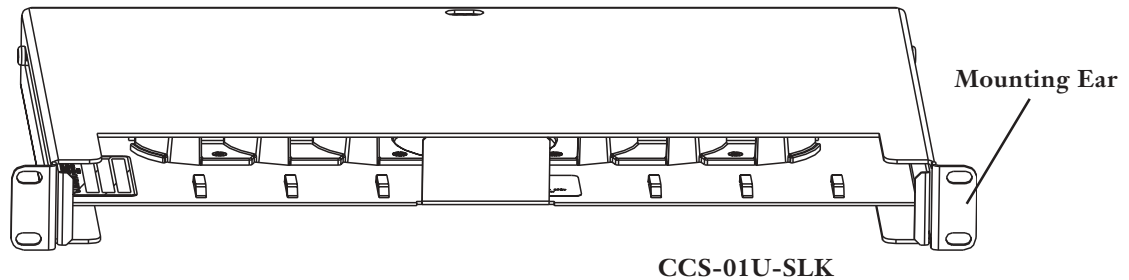


Figure 1 — CCS-01U-SLK Slack Storage Shelf

1. General

This document describes the recommended procedures for installing the Fiber Connector Slack Storage Shelf (CCS-01U-SLK). The CCS-01U-SLK unit is a housing that provides storage for optical fiber slack.

2. Precautions

2.1 Laser Handling Precautions

⚠ WARNING: *DO NOT use magnifiers in the presence of laser radiation. Diffused laser light can cause eye damage if focused with optical instruments. Should accidental eye exposure be suspected, arrange for an eye examination immediately.*

2.2 Cable Handling Precautions

NOTE: *Fiber optic cable is sensitive to excessive pulling, bending and crushing forces. Consult the cable specification sheet for the cable you are installing. Do not bend the cable more sharply than the minimum recommended bend radius. Do not apply more pulling force to the cable than specified. Do not crush the cable or allow it to kink. Doing so may cause damage that can alter the transmission characteristics of the cable — the cable may have to be replaced.*

2.3 Safety Precautions

⚠ CAUTION: *Use both hands when opening or closing the tray to avoid damage to the shelf or the optical fiber.*

⚠ CAUTION: *Ensure that the cables are not pinched when opening or closing the shelf. The fibers may be broken and have to be replaced.*

3. Tools and Equipment

The tools required to complete this installation include:

- Phillips-head screwdriver
- ⁵/₁₆-inch nut driver

4. Installation and Use of the Shelf

- Step 1** Use the mounting ears on each side of the shelf and the screws provided to secure the shelf to the frame.
- Step 2** Using both hands, pull the shelf out of the housing until it stops.

- Step 3** Route fiber slack around the slack storage hubs. Secure the fiber at the entry and exit points with the hook-and-loop straps. (**NOTE:** Ensure that enough slack remains to freely open and close the shelf without strain on the fiber.)
- Step 4** Close the shelf, ensuring that the fiber is not pinched.

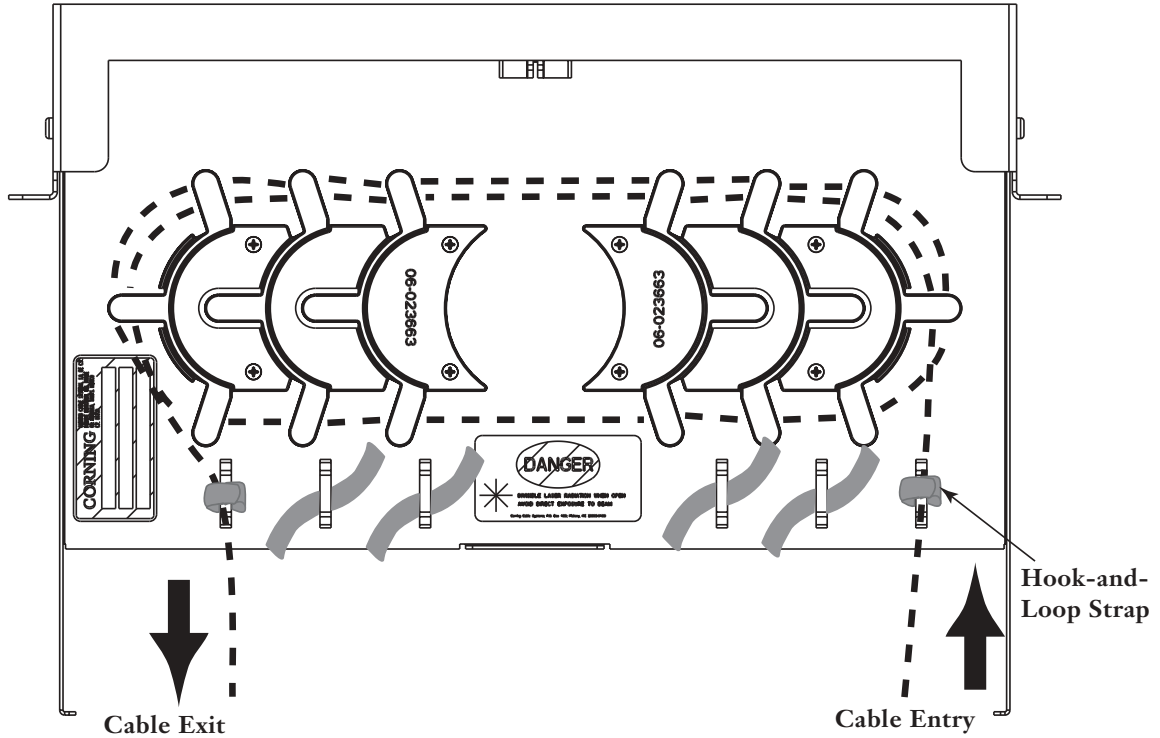


Figure 2 — Route Slack around the Slack Storage Hubs

5. Specifications

The CCS-01U unit is 55 cm (21.75 inches) deep with the slide shelf fully extended.

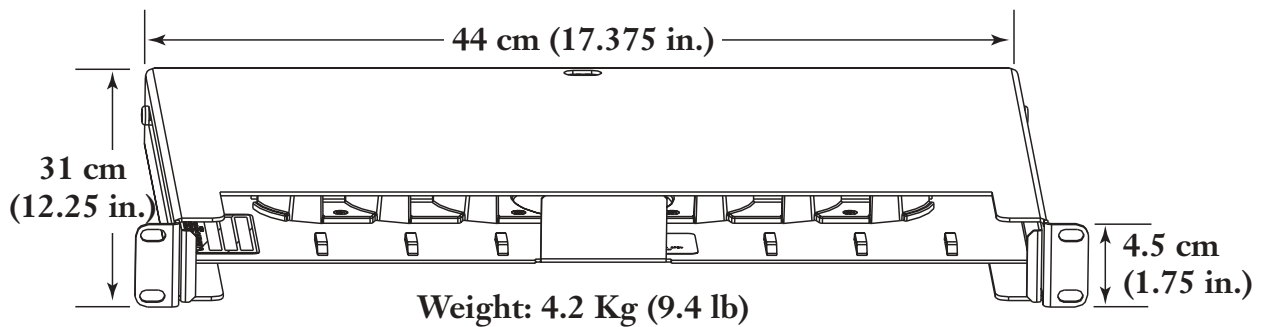


Figure 3 — Specifications



Corning Cable Systems LLC • PO Box 489 • Hickory, NC 28603-0489 USA
1-800-743-2671 • FAX +1-828-325-5060 • International +1-828-901-5000 •
<http://www.corning.com/cablesystems>

Corning Cable Systems reserves the right to improve, enhance and modify the features and specifications of Corning Cable Systems' products without prior notification. Discovering Beyond Imagination is a trademark of Corning Incorporated. All other trademarks are the properties of their respective owners. Corning Cable Systems is ISO 9001 certified. © 2005 Corning Cable Systems. All rights reserved.
p/n 003-698 / April 2005