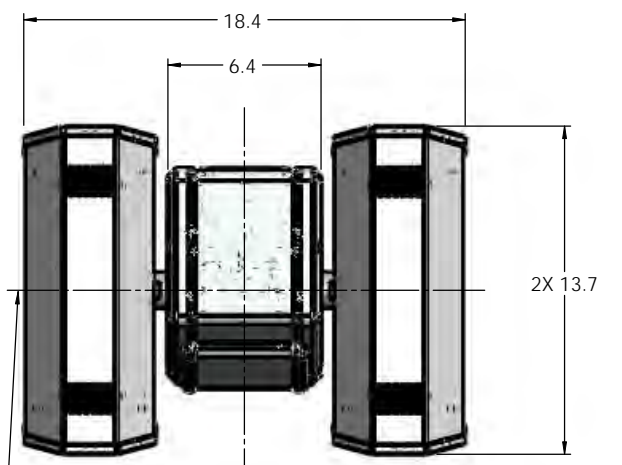


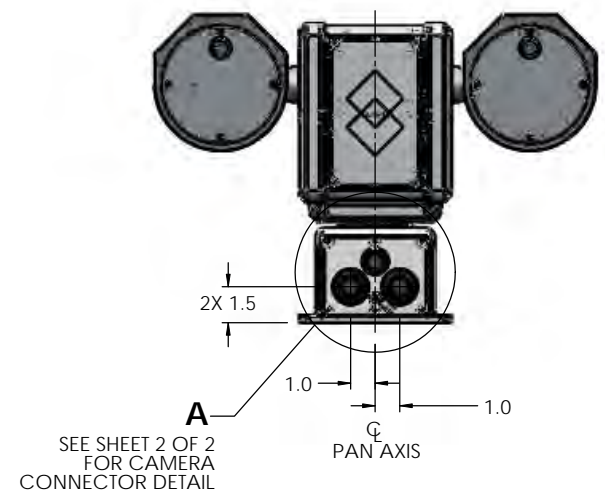
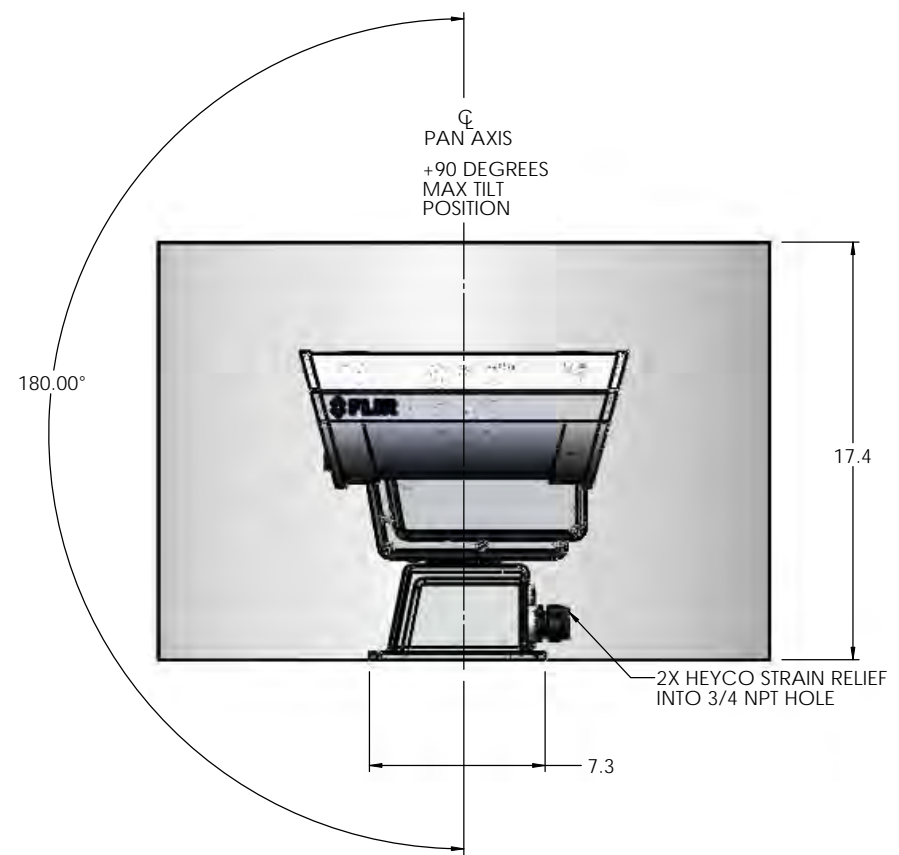
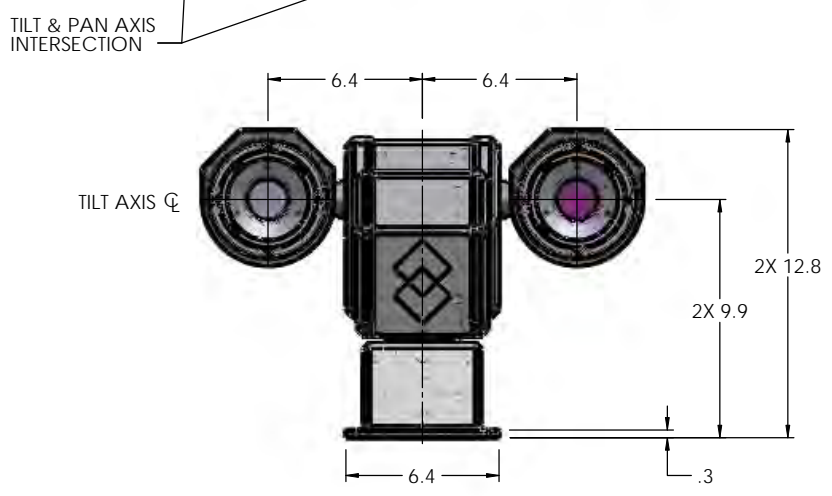
REVISIONS				
ZONE	REV	DESCRIPTION	DATE	APPROVED
B2	060	NEW BNC LABELS	2/24/2010	
	070	REVISED CONNECTOR DETAIL PER ECN 109461	04/02/10	
	080	REVISED PER 111425	9/24/2010	

NOTES: UNLESS OTHERWISE SPECIFIED
 1. ARRANGEMENT SHOWN FOR REAR CABLE ACCESS

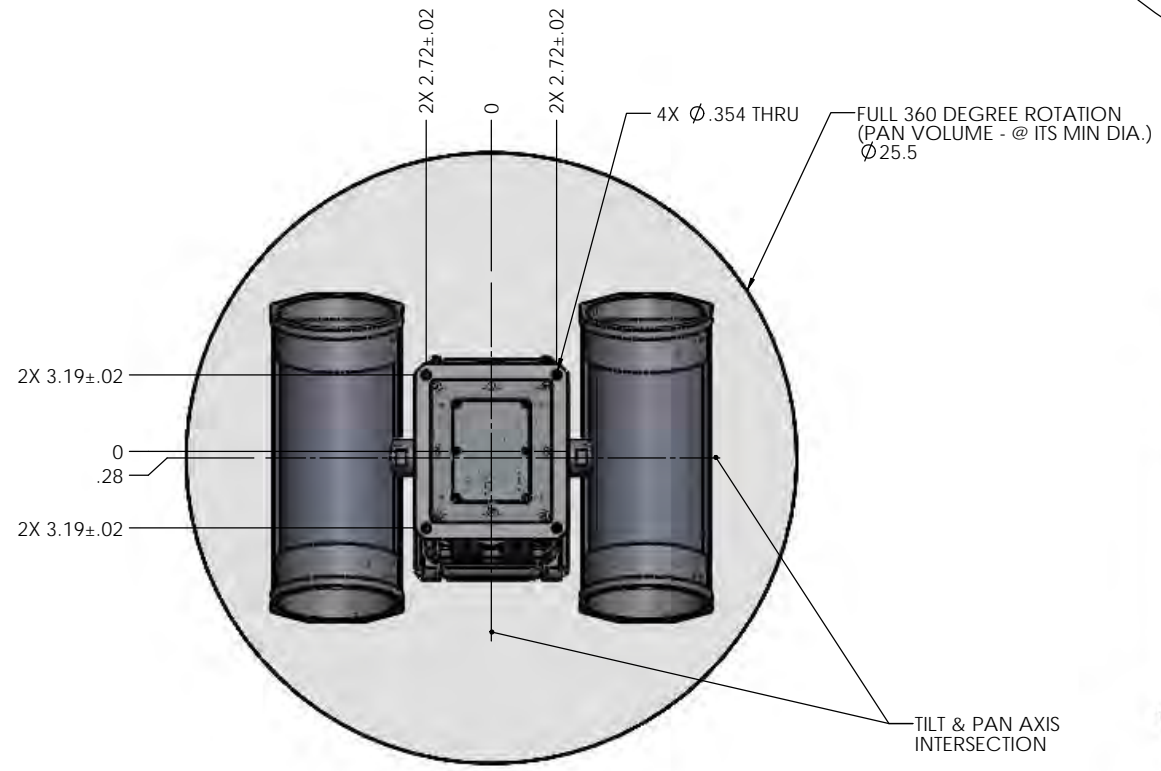
D



C



B

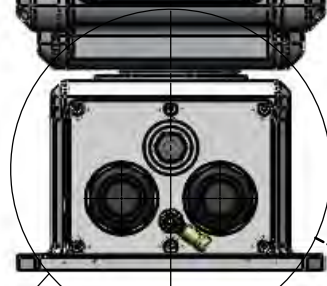
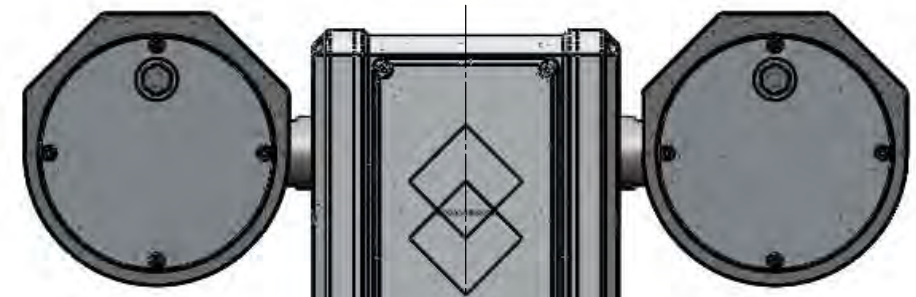


A

THIRD ANGLE PROJECTION	THIS DOCUMENT IS CONTROLLED TO FLIR TECHNOLOGY LEVEL 1.			
	THE INFORMATION CONTAINED IN THIS DOCUMENT PERTAINS TO A DUAL USE PRODUCT CONTROLLED FOR EXPORT BY THE EXPORT ADMINISTRATION REGULATIONS (EAR). FLIR TRADE SECRETS CONTAINED HEREIN ARE SUBJECT TO DISCLOSURE RESTRICTIONS AS A MATTER OF LAW. DIVERSION CONTRARY TO US LAW IS PROHIBITED. US DEPARTMENT OF COMMERCE AUTHORIZATION IS NOT REQUIRED PRIOR TO EXPORT OR TRANSFER TO FOREIGN PERSONS OR PARTIES UNLESS OTHERWISE PROHIBITED.			
INTERPRET DRAWING PER ASME Y14.5M-1994 UNLESS OTHERWISE SPECIFIED SURFACE ROUGHNESS 32 X = ±.1 .XX = ±.01 .XXX = ±.005 ANGULAR = ±.5° FILLET RADII = .005 MAX	MATERIAL: N/A FINISH: N/A UNLESS OTHERWISE SPECIFIED ALL MEASUREMENTS ARE IN INCHES. ALL DIMENSIONS IN [] ARE MM. DO NOT SCALE DRAWING. CALC WT: 33.834 LBS	PROJECT NO. APPROVALS DATE: 10-12-09 DWN: MLILLY CHK: DSGN: ENG: APP:	FLIR Systems, Inc. 70 Castilian Drive Goleta, CA 93117 TITLE: ICD MECHANICAL WESTWIND PT SIZE: D CAGE: 064Y2 DWG NO: 427-0032-00-19 REV: 080	SCALE: 1:4 PRINTED: 9/24/2010 SHEET: 1 OF 2

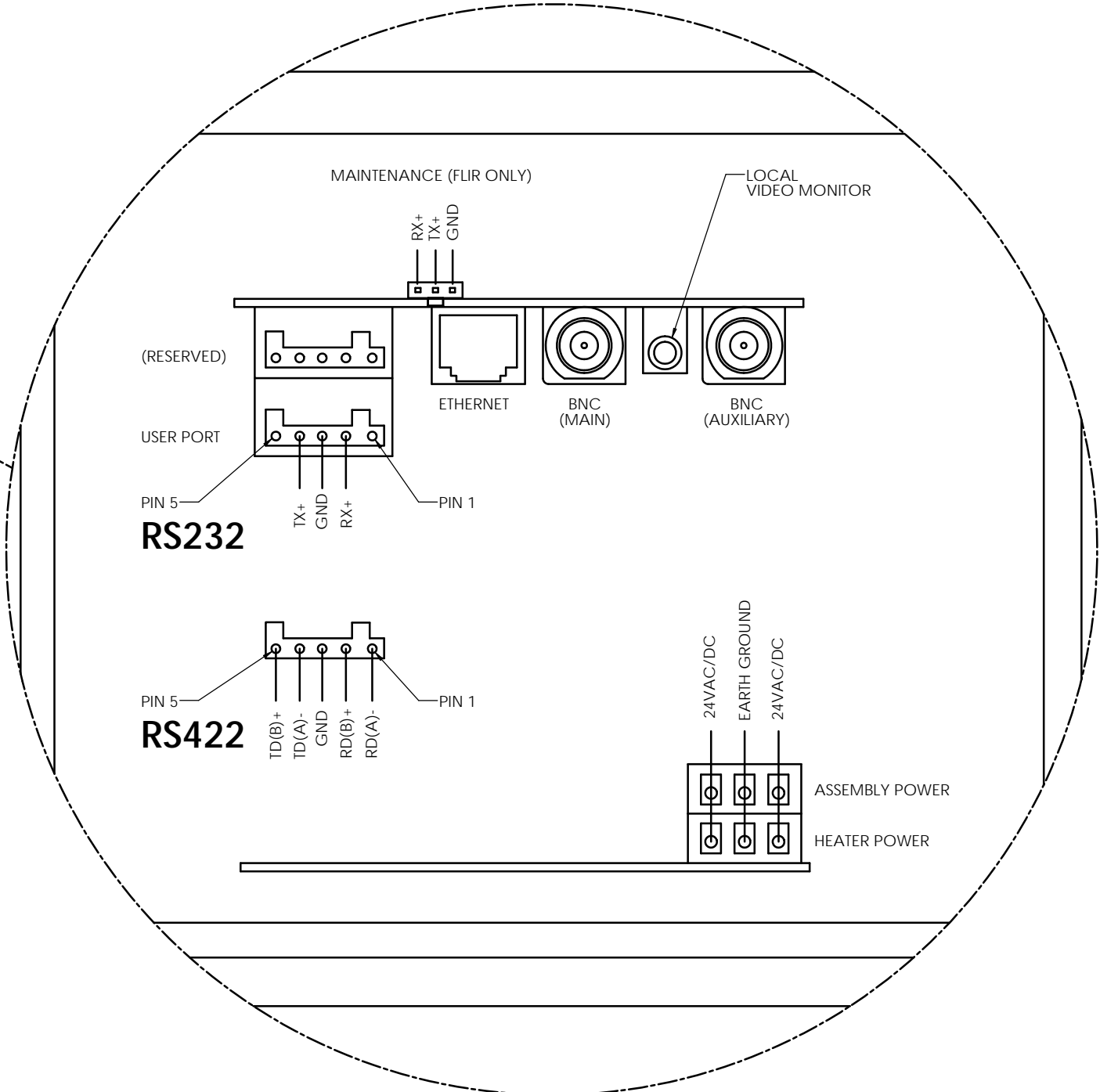
DWG NO. 427-0032-00-19 SH 1 REV 080

A



FROM SHEET 1 OF 2

PAN AXIS



REAR VIEW, INSIDE
 (COVER REMOVED)
 -NOT TO SCALE-