

Line Reactors

KDR Optimized Line Reactors KLR Series Three Phase Line Reactors DIN-Rail Line Reactors

KDR At The Input Of The Drive

KDR Optimized Line Reactors applied to the line side of a PWM drive will greatly improve the overall performance of the drive. The additional circuit inductance will reduce AC voltage waveform line notching, DC bus overvoltage trips, inverter overvoltage, poor total power factor, and cross-talk.



Use KDR Low “Z” Units For:

These units can be used in any applications where traditionally either a 1.5% or 3% reactor would be applied.

Reduction of nuisance tripping caused by:

- Transient voltages caused by capacitor switching
- Line notching
- DC bus overvoltage tripping
- Inverter overcurrent and overvoltage

Additional benefits include:

- Lowering injected percentage of harmonic current
- Improving true power factor
- Reducing cross-talk between drives

Use KDR High “Z” Units For:

These units can be used in any rugged application where traditionally a 5% reactor would be applied.

KDR High “Z” offers the same superior benefits as Low “Z” plus additional benefits which include:

- Helping prevent drive component damage
- Providing maximum harmonic mitigation without adding capacitance
- Further improving true power factor
- Adding impedance to drives with or without DC link chokes/reactors when more impedance is desired due to a relatively stiff source.

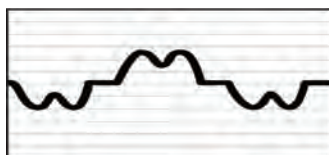
Watts Loss

The watts loss shown above are based on the effects of increased losses in both the core steel laminations and wire due to the presence of harmonic currents. Consideration of eddy currents in the watts loss calculation is important. The watt losses in the reactor core caused by eddy currents are proportional to the harmonic frequency squared. The harmonic current levels were derived from a typical 6 pulse converter as follows:

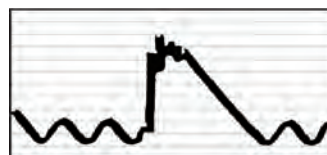
Harmonic	Current Distortion
5th	17%
7th	11%
11th	4.5%



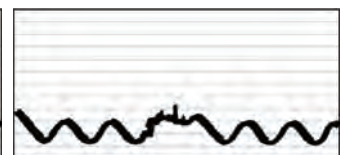
Harmonic Current
Distortion without KDR



Harmonic Current
Distortion with KDR



Transient Voltage
without KDR



Transient Voltage
with KDR

KDR Optimized Line Reactors

KDR 208/240V

208/240 Volt Low - Z

Part Number	NEC Motor HP	NEC Motor Current	Watts Loss	Standard Terms	Dimensions (in.) Height x Width x Depth	Open		NEMA 1 Enclosed	
						Weight	List Price	Part Number	List Price
KDRA54L	0.5	2.4	7	TB	4.00 x 4.18 x 3.75	4	\$ 96.00	KDRA54LC1	\$ 219.00
KDRA53L	0.75	3.5	12	TB	4.00 x 4.18 x 3.75	4	\$ 105.00	KDRA53LC1	\$ 229.00
KDRA25L	1	4.6	11	TB	4.00 x 4.18 x 3.75	4	\$ 107.00	KDRA25LC1	\$ 231.00
KDRA26L	1.5	6.6	18	TB	4.00 x 4.18 x 3.75	4	\$ 112.00	KDRA26LC1	\$ 236.00
KDRA27L	2	7.5	21	TB	4.00 x 4.18 x 3.75	8	\$ 114.00	KDRA27LC1	\$ 238.00
KDRA28L	3	10.6	29	TB	4.00 x 4.18 x 3.75	4	\$ 133.00	KDRA28LC1	\$ 256.00
KDRB22L	5	16.7	38	TB	5.00 x 6.00 x 4.00	8	\$ 176.00	KDRB22LC1	\$ 300.00
KDRB23L	7.5	24.2	48	TB	5.00 x 6.00 x 4.00	8	\$ 183.00	KDRB23LC2	\$ 332.00
KDRD25L	10	30.8	64	TB	5.75 x 7.20 x 4.25	12	\$ 207.00	KDRD25LC2	\$ 356.00
KDRD24L	15	46.2	85	TB	5.75 x 7.20 x 4.25	12	\$ 256.00	KDRD24LC2	\$ 404.00
KDRD26L	20	59.4	94	TB	5.75 x 7.20 x 4.25	12	\$ 272.00	KDRD26LC2	\$ 421.00
KDRC22L	25	74.8	114	TB	5.75 x 7.20 x 5.00	15	\$ 364.00	KDRC22LC2	\$ 512.00
KDRF24L	30	88	135	CB	7.00 x 9.00 x 6.00	30	\$ 371.00	KDRF24LC4	\$ 724.00
KDRF25L	40	114	149	CB	7.00 x 9.00 x 6.00	30	\$ 550.00	KDRF25LC4	\$ 903.00
KDRF26L	50	143	154	CB	7.00 x 9.00 x 6.00	30	\$ 646.00	KDRF26LC4	\$ 1,000.00
KDRH22L	60	169	209	CB	9.00 x 11.00 x 7.00	45	\$ 754.00	KDRH22LC4	\$ 1,109.00
KDRI23L	75	211	294	CB	9.00 x 11.00 x 7.00	50	\$ 769.00	KDRI23LC4	\$ 1,122.00
KDRI24L	100	273	276	CB	9.00 x 11.00 x 7.00	50	\$ 860.00	KDRI24LC4	\$ 1,214.00
KDRG22L	125	343	370	CB	9.00 x 11.00 x 8.00	65	\$ 1,126.00	KDRG22LC4	\$ 1,480.00
KDRJ23L	150	396	401	CB	9.00 x 11.00 x 9.00	70	\$ 1,151.00	KDRJ23LC5	\$ 1,623.00
KDRJ24L	200	528	442	CB	9.00 x 11.00 x 9.00	70	\$ 1,389.00	KDRJ24LC5	\$ 1,862.00

208/240 Volt High - Z

Part Number	NEC Motor HP	NEC Motor Current	Watts Loss	Standard Terms	Dimensions (in.) Height x Width x Depth	Open		NEMA 1 Enclosed	
						Weight	List Price	Part Number	List Price
KDRA54H	0.5	2.4	14	TB	4.00 x 4.18 x 3.75	4	\$ 120.00	KDRA54HC1	\$ 244.00
KDRA53H	0.75	3.5	16.8	TB	4.00 x 4.18 x 3.75	4	\$ 124.00	KDRA53HC1	\$ 249.00
KDRA25H	1	4.6	23.6	TB	4.00 x 4.18 x 3.75	4	\$ 127.00	KDRA25HC1	\$ 251.00
KDRA27H	1.5	6.6	30.6	TB	4.00 x 4.18 x 3.75	4	\$ 138.00	KDRA27HC1	\$ 262.00
KDRA26H	2	7.5	30.5	TB	4.00 x 4.18 x 3.75	4	\$ 143.00	KDRA26HC1	\$ 267.00
KDRA28H	3	10.6	43.1	TB	4.00 x 4.18 x 3.75	4	\$ 157.00	KDRA28HC1	\$ 282.00
KDRB25H	5	16.7	53.1	TB	5.00 x 6.00 x 4.00	8	\$ 197.00	KDRB25HC1	\$ 320.00
KDRB26H	7.5	24.2	66.5	TB	5.00 x 6.00 x 4.00	8	\$ 235.00	KDRB26HC1	\$ 360.00
KDRD21H	10	30.8	91.8	TB	5.75 x 7.20 x 4.25	12	\$ 239.00	KDRD21HC2	\$ 388.00
KDRD22H	15	46.2	107.8	TB	5.75 x 7.20 x 4.25	12	\$ 312.00	KDRD22HC2	\$ 460.00
KDRC22H	20	59.4	113.1	TB	5.75 x 7.20 x 5.00	15	\$ 352.00	KDRC22HC2	\$ 501.00
KDRF28H	25	74.8	151	TB	7.00 x 9.00 x 6.00	30	\$ 415.00	KDRF28HC3	\$ 626.00
KDRF25H	30	88	179.2	CB	7.00 x 9.00 x 6.00	30	\$ 428.00	KDRF25HC4	\$ 781.00
KDRF26H	40	114	192.8	CB	7.00 x 9.00 x 6.00	30	\$ 576.00	KDRF26HC4	\$ 929.00
KDRH24H	50	143	201	CB	9.00 x 11.00 x 7.00	38	\$ 690.00	KDRH24HC4	\$ 1,044.00
KDRH23H	60	169	220	CB	9.00 x 11.00 x 7.00	45	\$ 804.00	KDRH23HC4	\$ 1,159.00
KDRI22H	75	211	311.5	CB	9.00 x 11.00 x 7.00	50	\$ 991.00	KDRI22HC4	\$ 1,346.00
KDRI21H	100	273	296.4	CB	9.00 x 11.00 x 7.00	50	\$ 1,221.00	KDRI21HC4	\$ 1,574.00
KDRG25H	125	343	346.5	CB	9.00 x 11.00 x 8.00	65	\$ 1,295.00	KDRG25HC4	\$ 1,648.00
KDRJ22H	150	396	465.3	CB	9.00 x 11.00 x 9.00	70	\$ 1,324.00	KDRJ22HC5	\$ 1,797.00
KDRJ21H	200	528	516.2	CB	9.00 x 11.00 x 9.00	70	\$ 1,534.00	KDRJ21HC5	\$ 2,005.00

* For enclosed unit dimensions and added weight, please refer to the Reactor Enclosure Price Page

KDR Optimized Line Reactors

208/240 Volt Low - Z	Part Number	NEC Motor HP	Open		UL Type 1 Enclosed		UL Type 3R Enclosed	
			Weight	List Price	Part Number *	List Price	Part Number *	List Price
	KDRULA54L	0.5	4	\$101.00	KDRULA54LE01	\$323.00	KDRULA54LE3R	\$437.00
KDRULA53L	0.75	4	\$112.00	KDRULA53LE01	\$334.00	KDRULA53LE3R	\$448.00	
KDRULA25L	1	4	\$113.00	KDRULA25LE01	\$335.00	KDRULA25LE3R	\$449.00	
KDRULA26L	1.5	4	\$117.00	KDRULA26LE01	\$338.00	KDRULA26LE3R	\$453.00	
KDRULA27L	2	4	\$121.00	KDRULA27LE01	\$343.00	KDRULA27LE3R	\$457.00	
KDRULA28L	3	4	\$135.00	KDRULA28LE01	\$356.00	KDRULA28LE3R	\$471.00	
KDRULB22L	5	8	\$179.00	KDRULB22LE01	\$400.00	KDRULB22LE3R	\$515.00	
KDRULB23L	7.5	8	\$190.00	KDRULB23LE01	\$412.00	KDRULB23LE3R	\$526.00	
KDRULD25L	10	12	\$211.00	KDRULD25LE01	\$433.00	KDRULD25LE3R	\$547.00	
KDRULD24L	15	12	\$266.00	KDRULD24LE01	\$488.00	KDRULD24LE3R	\$602.00	
KDRULD26L	20	12	\$283.00	KDRULD26LE01	\$504.00	KDRULD26LE3R	\$619.00	
KDRULC22L	25	15	\$431.00	KDRULC22LE01	\$653.00	KDRULC22LE3R	\$767.00	
KDRULF24L	30	33	\$456.00	KDRULF24LE01	\$887.00	KDRULF24LE3R	\$977.00	
KDRULF25L	40	33	\$643.00	KDRULF25LE01	\$1,074.00	KDRULF25LE3R	\$1,164.00	
KDRULF26L	50	36	\$750.00	KDRULF26LE01	\$1,182.00	KDRULF26LE3R	\$1,271.00	
KDRULH22L	60	51	\$863.00	KDRULH22LE01	\$1,654.00	KDRULH22LE3R	\$1,781.00	
KDRULI23L	75	56	\$886.00	KDRULI23LE01	\$1,679.00	KDRULI23LE3R	\$1,805.00	
KDRULI24L	100	56	\$978.00	KDRULI24LE01	\$1,770.00	KDRULI24LE3R	\$1,897.00	
KDRULG22L	125	74	\$1,271.00	KDRULG22LE01	\$2,063.00	KDRULG22LE3R	\$2,190.00	
KDRULJ23L	150	80	\$1,412.00	KDRULJ23LE01	\$2,203.00	KDRULJ23LE3R	\$2,330.00	
KDRULJ24L	200	80	\$1,660.00	KDRULJ24LE01	\$2,451.00	KDRULJ24LE3R	\$2,578.00	

208/240 Volt High - Z	Part Number	NEC Motor HP	Open		UL Type 1 Enclosed		UL Type 3R Enclosed	
			Weight	List Price	Part Number *	List Price	Part Number *	List Price
	KDRULA54H	0.5	4	\$121.00	KDRULA54HE01	\$343.00	KDRULA54HE3R	\$456.00
KDRULA53H	0.75	4	\$127.00	KDRULA53HE01	\$348.00	KDRULA53HE3R	\$463.00	
KDRULA25H	1	4	\$130.00	KDRULA25HE01	\$352.00	KDRULA25HE3R	\$466.00	
KDRULA27H	1.5	4	\$141.00	KDRULA27HE01	\$364.00	KDRULA27HE3R	\$478.00	
KDRULA26H	2	4	\$146.00	KDRULA26HE01	\$368.00	KDRULA26HE3R	\$482.00	
KDRULA28H	3	4	\$161.00	KDRULA28HE01	\$382.00	KDRULA28HE3R	\$496.00	
KDRULB25H	5	8	\$199.00	KDRULB25HE01	\$421.00	KDRULB25HE3R	\$535.00	
KDRULB26H	7.5	8	\$240.00	KDRULB26HE01	\$463.00	KDRULB26HE3R	\$577.00	
KDRULD21H	10	12	\$244.00	KDRULD21HE01	\$466.00	KDRULD21HE3R	\$580.00	
KDRULD22H	15	12	\$323.00	KDRULD22HE01	\$546.00	KDRULD22HE3R	\$660.00	
KDRULC22H	20	15	\$367.00	KDRULC22HE01	\$588.00	KDRULC22HE3R	\$703.00	
KDRULF28H	25	30	\$439.00	KDRULF28HE01	\$870.00	KDRULF28HE3R	\$960.00	
KDRULF25H	30	67	\$514.00	KDRULF25HE01	\$945.00	KDRULF25HE3R	\$1,034.00	
KDRULF26H	40	33	\$669.00	KDRULF26HE01	\$1,100.00	KDRULF26HE3R	\$1,189.00	
KDRULH24H	50	40	\$799.00	KDRULH24HE01	\$1,230.00	KDRULH24HE3R	\$1,319.00	
KDRULH23H	60	51	\$914.00	KDRULH23HE01	\$1,345.00	KDRULH23HE3R	\$1,434.00	
KDRULI22H	75	56	\$1,115.00	KDRULI22HE01	\$1,907.00	KDRULI22HE3R	\$2,034.00	
KDRULI21H	100	56	\$1,353.00	KDRULI21HE01	\$2,146.00	KDRULI21HE3R	\$2,272.00	
KDRULG25H	125	74	\$1,413.00	KDRULG25HE01	\$2,204.00	KDRULG25HE3R	\$2,331.00	
KDRULJ22H	150	79	\$1,527.00	KDRULJ22HE01	\$2,319.00	KDRULJ22HE3R	\$2,446.00	
KDRULJ21H	200	80	\$1,809.00	KDRULJ21HE01	\$2,601.00	KDRULJ21HE3R	\$2,728.00	

* For enclosed unit dimensions and added weight, please refer to the Reactor Enclosure Price Page

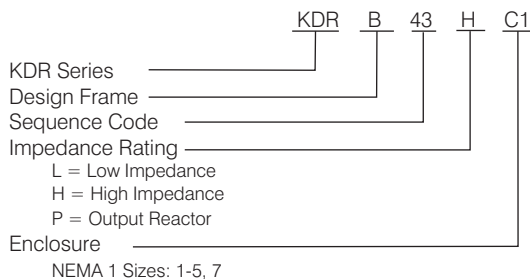
KDR Optimized Line Reactors

KDR 480V

480 VOLT Low-Z

Part Number	NEC Motor HP	NEC Motor Current	Watts Loss	Standard Terms	Dimensions (in.)			Open		NEMA 1 Enclosed	
					Height x Width x Depth	Weight	List Price	Part Number	List Price		
KDRA6L	0.5	1.1	5.6	TB	4.00 x 4.18 x 3.75	4	\$ 98.00	KDRA6LC1	\$ 221.00		
KDRA7L	0.75	1.6	10	TB	4.00 x 4.18 x 3.75	4	\$ 103.00	KDRA7LC1	\$ 228.00		
KDRA8L	1	2.1	10.4	TB	4.00 x 4.18 x 3.75	4	\$ 105.00	KDRA8LC1	\$ 230.00		
KDRA9L	1.5	3	17	TB	4.00 x 4.18 x 3.75	4	\$ 106.00	KDRA9LC1	\$ 231.00		
KDRA1L	2	3.4	19	TB	4.00 x 4.18 x 3.75	4	\$ 112.00	KDRA1LC1	\$ 236.00		
KDRA2L	3	4.8	23	TB	4.00 x 4.18 x 3.75	4	\$ 122.00	KDRA2LC1	\$ 246.00		
KDRA3L	5	7.6	49	TB	4.00 x 4.18 x 3.75	4	\$ 128.00	KDRA3LC1	\$ 252.00		
KDRA4L	7.5	11	40	TB	4.00 x 4.18 x 3.75	4	\$ 143.00	KDRA4LC1	\$ 267.00		
KDRA5L	10	14	64	TB	4.00 x 4.18 x 3.75	5	\$ 180.00	KDRA5LC1	\$ 304.00		
KDRB2L	15	21	65	TB	5.00 x 6.00 x 4.00	8	\$ 212.00	KDRB2LC1	\$ 335.00		
KDRB1L	20	27	79	TB	5.00 x 6.00 x 4.00	8	\$ 234.00	KDRB1LC1	\$ 359.00		
KDRD1L	25	34	96	TB	5.75 x 7.20 x 4.25	10	\$ 246.00	KDRD1LC2	\$ 395.00		
KDRD2L	30	40	105	TB	5.75 x 7.20 x 4.25	10	\$ 312.00	KDRD2LC2	\$ 460.00		
KDRC1L	40	52	114	TB	5.75 x 7.20 x 5.00	15	\$ 344.00	KDRC1LC2	\$ 493.00		
KDRF2L	50	65	114	TB	7.00 x 9.00 x 6.00	25	\$ 402.00	KDRF2LC3	\$ 613.00		
KDRF4L	60	77	169	TB	7.00 x 9.00 x 6.00	25	\$ 415.00	KDRF4LC3	\$ 626.00		
KDRF3L	75	96	193	CB	7.00 x 9.00 x 6.00	30	\$ 552.00	KDRF3LC4	\$ 905.00		
KDRH3L	100	124	225	CB	9.00 x 11.00 x 7.00	40	\$ 639.00	KDRH3LC4	\$ 993.00		
KDRH2L	125	156	254	CB	9.00 x 11.00 x 7.00	40	\$ 789.00	KDRH2LC4	\$ 1,143.00		
KDRH1L	150	180	299	CB	9.00 x 11.00 x 7.00	40	\$ 926.00	KDRH1LC4	\$ 1,279.00		
KDRG3L	200	240	280	CB	9.00 x 11.00 x 8.00	65	\$ 1,176.00	KDRG3LC4	\$ 1,530.00		
KDRG1L	250	302	337	CB	9.00 x 11.00 x 8.00	65	\$ 1,295.00	KDRG1LC4	\$ 1,648.00		
KDRG2L	300	361	381	CB	9.00 x 11.00 x 8.00	65	\$ 1,324.00	KDRG2LC4	\$ 1,678.00		
KDRJ2L	350	414	465	CB	9.00 x 11.00 x 9.00	70	\$ 1,534.00	KDRJ2LC5	\$ 2,005.00		
KDRJ1L	400	477	470	CB	9.00 x 11.00 x 9.00	70	\$ 1,693.00	KDRJ1LC5	\$ 2,164.00		
KDRL1L	450	515	509	CB	11.38 x 14.50 x 9.50	110	\$ 1,962.00	KDRL1LC5	\$ 2,434.00		
KDRL2L	500	590	518	CB	11.38 x 14.50 x 9.50	110	\$ 2,981.00	KDRL2LC5	\$ 3,453.00		
KDRL3L	600	720	748	CB	11.38 x 14.50 x 9.50	155	\$ 3,776.00	KDRL3LC5	\$ 4,248.00		
KDRS1L	700	840	872	CB	11.38 x 15.00 x 12.50	158	\$ 4,407.00	KDRS1LC7	\$ 5,648.00		
KDRX2L	800	960	997	CB	18.50 x 18.25 x 12.50	280	\$ 5,036.00	KDRX2LC7	\$ 6,278.00		
KDRX3L	900	1080	1121	CB	18.50 x 18.25 x 12.50	275	\$ 5,665.00	KDRX3LC7	\$ 6,906.00		
KDRX1L	1000	1200	1246	CB	18.50 x 18.25 x 12.50	290	\$ 6,295.00	KDRX1LC7	\$ 7,535.00		
KDRY1L	1100	1320	1371	CB	20.00 x 21.00 x 16.00	475	\$ 6,923.00	KDRY1LC7	\$ 8,165.00		
KDRY2L	1250	1500	1558	CB	20.00 x 21.00 x 16.00	500	\$ 7,868.00	KDRY2LC7	\$ 9,110.00		

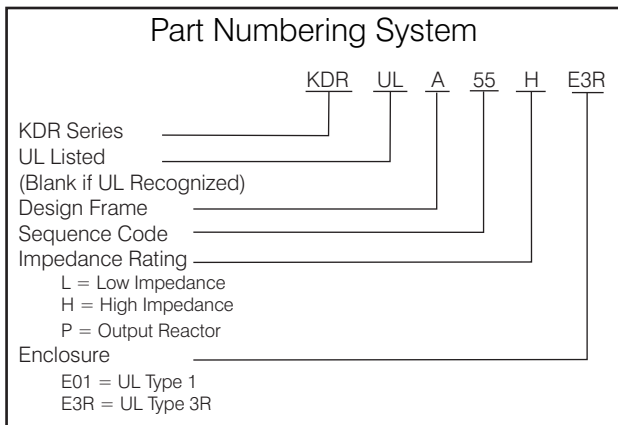
Part Numbering System



* For enclosed unit dimensions and added weight, please refer to the Reactor Enclosure Price Page

KDR Optimized Line Reactors

	Part Number	NEC Motor HP	Open		UL Type 1 Enclosed		UL Type 3R Enclosed	
			Weight	List Price	Part Number *	List Price	Part Number *	List Price
480 Volt Low-Z	KDRULA6L	0.5	4	\$104.00	KDRULA6LE01	\$326.00	KDRULA6LE3R	\$439.00
	KDRULA7L	0.75	4	\$109.00	KDRULA7LE01	\$330.00	KDRULA7LE3R	\$445.00
	KDRULA8L	1	4	\$111.00	KDRULA8LE01	\$332.00	KDRULA8LE3R	\$447.00
	KDRULA9L	1.5	4	\$113.00	KDRULA9LE01	\$335.00	KDRULA9LE3R	\$449.00
	KDRULA1L	2	4	\$117.00	KDRULA1LE01	\$339.00	KDRULA1LE3R	\$453.00
	KDRULA2L	3	4	\$130.00	KDRULA2LE01	\$352.00	KDRULA2LE3R	\$466.00
	KDRULA3L	5	4	\$134.00	KDRULA3LE01	\$356.00	KDRULA3LE3R	\$470.00
	KDRULA4L	7.5	4	\$150.00	KDRULA4LE01	\$371.00	KDRULA4LE3R	\$486.00
	KDRULA5L	10	5	\$190.00	KDRULA5LE01	\$413.00	KDRULA5LE3R	\$527.00
	KDRULB2L	15	8	\$221.00	KDRULB2LE01	\$444.00	KDRULB2LE3R	\$557.00
	KDRULB1L	20	8	\$244.00	KDRULB1LE01	\$466.00	KDRULB1LE3R	\$580.00
	KDRULD1L	25	10	\$259.00	KDRULD1LE01	\$480.00	KDRULD1LE3R	\$595.00
	KDRULD2L	30	10	\$323.00	KDRULD2LE01	\$546.00	KDRULD2LE3R	\$660.00
	KDRULC1L	40	15	\$357.00	KDRULC1LE01	\$580.00	KDRULC1LE3R	\$694.00
	KDRULF2L	50	25	\$419.00	KDRULF2LE01	\$850.00	KDRULF2LE3R	\$939.00
	KDRULF4L	60	25	\$432.00	KDRULF4LE01	\$864.00	KDRULF4LE3R	\$953.00
	KDRULF3L	75	33	\$653.00	KDRULF3LE01	\$1,084.00	KDRULF3LE3R	\$1,173.00
	KDRULH3L	100	46	\$741.00	KDRULH3LE01	\$1,172.00	KDRULH3LE3R	\$1,262.00
	KDRULH2L	125	46	\$899.00	KDRULH2LE01	\$1,330.00	KDRULH2LE3R	\$1,419.00
	KDRULH1L	150	46	\$1,040.00	KDRULH1LE01	\$1,832.00	KDRULH1LE3R	\$1,959.00
	KDRULG3L	200	74	\$1,387.00	KDRULG3LE01	\$2,180.00	KDRULG3LE3R	\$2,306.00
	KDRULG1L	250	74	\$1,495.00	KDRULG1LE01	\$2,287.00	KDRULG1LE3R	\$2,414.00
	KDRULG2L	300	74	\$1,527.00	KDRULG2LE01	\$2,319.00	KDRULG2LE3R	\$2,446.00
	KDRULJ2L	350	80	\$1,809.00	KDRULJ2LE01	\$2,601.00	KDRULJ2LE3R	\$2,728.00
	KDRULJ1L	400	80	\$1,973.00	KDRULJ1LE01	\$2,766.00	KDRULJ1LE3R	\$2,893.00
	KDRULL1L	450	120	\$2,297.00	KDRULL1LE01	\$3,088.00	KDRULL1LE3R	\$3,215.00
	KDRULL2L	500	120	\$3,357.00	KDRULL2LE01	\$4,150.00	KDRULL2LE3R	\$4,277.00
	KDRULL3L	600	164	\$4,498.00	KDRULL3LE01	\$7,157.00	Consult Factory for Assistance	
KDRULS1L	700	180	\$4,968.00	KDRULS1LE01	\$7,628.00			
KDRULX2L	800	290	\$6,939.00	KDRULX2LE01	\$9,599.00			
KDRULX3L	900	305	\$7,595.00	KDRULX3LE01	\$10,254.00			
KDRULX1L	1000	317	\$8,251.00	KDRULX1LE01	\$10,911.00			
KDRULY1L	1100	502	\$8,906.00	KDRULY1LE01	\$11,566.00			
KDRULY2L	1250	524	\$9,890.00	KDRULY2LE01	\$12,550.00			



* For enclosed unit dimensions and added weight, please refer to the Reactor Enclosure Price Page

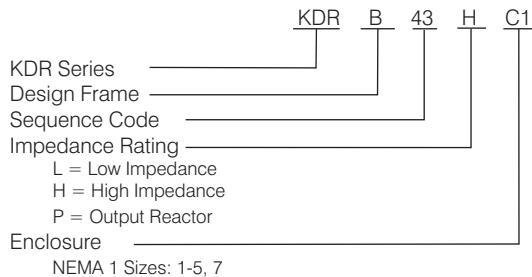
KDR Optimized Line Reactors

KDR 480V

480 Volt High-Z

Part Number	NEC Motor HP	NEC Motor Current	Watts Loss	Standard Terms	Dimensions (in.)	Open		NEMA 1 Enclosed	
					Height x Width x Depth	Weight	List Price	Part Number	List Price
KDRA6H	0.5	1.1	9	TB	4.00 x 4.18 x 3.75	4	\$ 112.00	KDRA6HC1	\$ 236.00
KDRA7H	0.75	1.6	15	TB	4.00 x 4.18 x 3.75	4	\$ 122.00	KDRA7HC1	\$ 247.00
KDRA8H	1	2.1	12	TB	4.00 x 4.18 x 3.75	4	\$ 123.00	KDRA8HC1	\$ 248.00
KDRA9H	1.5	3	23	TB	4.00 x 4.18 x 3.75	4	\$ 124.00	KDRA9HC1	\$ 249.00
KDRA1H	2	3.4	33	TB	4.00 x 4.18 x 3.75	4	\$ 129.00	KDRA1HC1	\$ 252.00
KDRA2H	3	4.8	38	TB	4.00 x 4.18 x 3.75	4	\$ 165.00	KDRA2HC1	\$ 289.00
KDRA3H	5	7.6	80	TB	4.00 x 4.18 x 3.75	4	\$ 190.00	KDRA3HC1	\$ 315.00
KDRA4H	7.5	11	77	TB	4.00 x 4.18 x 3.75	5	\$ 214.00	KDRA4HC1	\$ 338.00
KDRA5H	10	14	111	TB	4.00 x 4.18 x 3.75	5	\$ 266.00	KDRA5HC1	\$ 390.00
KDRB2H	15	21	133	TB	5.00 x 6.00 x 4.00	7	\$ 273.00	KDRB2HC1	\$ 398.00
KDRC3H	20	27	108	TB	5.75 x 7.20 x 5.00	15	\$ 307.00	KDRC3HC2	\$ 455.00
KDRC1H	25	34	112	TB	5.75 x 7.20 x 5.00	15	\$ 368.00	KDRC1HC2	\$ 516.00
KDRE2H	30	40	141	TB	5.75 x 7.20 x 5.00	16	\$ 418.00	KDRE2HC2	\$ 566.00
KDRF4H	40	52	169	TB	7.00 x 9.00 x 6.00	25	\$ 435.00	KDRF4HC3	\$ 646.00
KDRF1H	50	65	191	TB	7.00 x 9.00 x 6.00	25	\$ 600.00	KDRF1HC3	\$ 810.00
KDRF2H	60	77	226	TB	7.00 x 9.00 x 6.00	25	\$ 621.00	KDRF2HC3	\$ 832.00
KDRH2H	75	96	212	CB	9.00 x 11.00 x 7.00	45	\$ 706.00	KDRH2HC4	\$ 1,060.00
KDRI2H	100	124	362	CB	9.00 x 11.00 x 7.00	52	\$ 845.00	KDRI2HC4	\$ 1,198.00
KDRG3H	125	156	274	CB	9.00 x 11.00 x 8.00	55	\$ 950.00	KDRG3HC4	\$ 1,303.00
KDRG1H	150	180	359	CB	9.00 x 11.00 x 8.00	55	\$ 1,160.00	KDRG1HC4	\$ 1,513.00
KDRJ1H	200	240	420	CB	9.00 x 11.00 x 9.00	70	\$ 1,541.00	KDRJ1HC5	\$ 2,014.00
KDRL1H	250	302	548	CB	11.38 x 14.50 x 9.50	110	\$ 1,681.00	KDRL1HC5	\$ 2,153.00
KDRL2H	300	361	786	CB	11.38 x 14.50 x 9.31	95	\$ 1,693.00	KDRL2HC5	\$ 2,164.00
KDRL3H	350	414	750	CB	11.38 x 14.50 x 9.31	100	\$ 1,930.00	KDRL3HC5	\$ 2,401.00
KDRL4H	400	477	730	CB	11.38 x 14.50 x 9.50	110	\$ 2,554.00	KDRL4HC5	\$ 3,027.00
KDRL5H	450	515	774	CB	11.38 x 14.50 x 11.00	120	\$ 2,663.00	KDRL5HC5	\$ 3,135.00
KDRL6H	500	590	697	CB	11.38 x 14.50 x 11.00	120	\$ 3,367.00	KDRL6HC5	\$ 3,838.00
KDRS1H	600	720	1246	CB	11.38 x 15.00 x 13.00	260	\$ 4,052.00	KDRS1HC7	\$ 5,237.00
KDRS2H	700	840	1454	CB	11.38 x 15.00 x 13.00	260	\$ 4,729.00	KDRS2HC7	\$ 5,672.00
KDRX2H	800	960	1661	CB	18.50 x 18.25 x 12.50	290	\$ 5,404.00	KDRX2HC7	\$ 6,646.00
KDRX3H	900	1080	1869	CB	18.50 x 18.25 x 12.50	290	\$ 6,080.00	KDRX3HC7	\$ 7,320.00
KDRX4H	1000	1200	1337	CB	18.50 x 18.25 x 12.50	274	\$ 6,754.00	KDRX4HC7	\$ 7,996.00
KDRY2H	1100	1320	2284	CB	20.00 x 21.00 x 16.00	525	\$ 7,430.00	KDRY2HC7	\$ 8,671.00
KDRY1H	1250	1500	2596	CB	20.00 x 21.00 x 16.00	575	\$ 8,443.00	KDRY1HC7	\$ 9,684.00

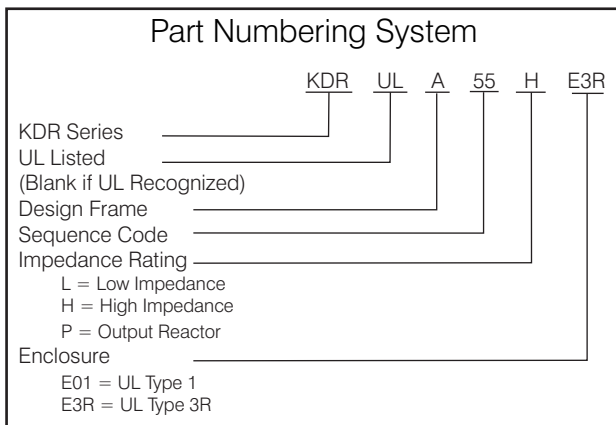
Part Numbering System



* For enclosed unit dimensions and added weight, please refer to the Reactor Enclosure Price Page

KDR Optimized Line Reactors

	Part Number	NEC Motor HP	Open		UL Type 1 Enclosed		UL Type 3R Enclosed	
			Weight	List Price	Part Number *	List Price	Part Number *	List Price
480 Volt High-Z	KDRULA6H	0.5	4	\$118.00	KDRULA6HE01	\$340.00	KDRULA6HE3R	\$454.00
	KDRULA7H	0.75	4	\$128.00	KDRULA7HE01	\$350.00	KDRULA7HE3R	\$464.00
	KDRULA8H	1	4	\$129.00	KDRULA8HE01	\$351.00	KDRULA8HE3R	\$465.00
	KDRULA9H	1.5	4	\$130.00	KDRULA9HE01	\$352.00	KDRULA9HE3R	\$466.00
	KDRULA1H	2	4	\$134.00	KDRULA1HE01	\$355.00	KDRULA1HE3R	\$470.00
	KDRULA2H	3	4	\$172.00	KDRULA2HE01	\$394.00	KDRULA2HE3R	\$509.00
	KDRULA3H	5	4	\$199.00	KDRULA3HE01	\$421.00	KDRULA3HE3R	\$535.00
	KDRULA4H	7.5	5	\$223.00	KDRULA4HE01	\$445.00	KDRULA4HE3R	\$560.00
	KDRULA5H	10	5	\$279.00	KDRULA5HE01	\$500.00	KDRULA5HE3R	\$615.00
	KDRULB2H	15	7	\$284.00	KDRULB2HE01	\$506.00	KDRULB2HE3R	\$620.00
	KDRULC3H	20	15	\$319.00	KDRULC3HE01	\$541.00	KDRULC3HE3R	\$655.00
	KDRULC1H	25	15	\$383.00	KDRULC1HE01	\$604.00	KDRULC1HE3R	\$719.00
	KDRULE2H	30	16	\$435.00	KDRULE2HE01	\$656.00	KDRULE2HE3R	\$770.00
	KDRULF4H	40	25	\$454.00	KDRULF4HE01	\$885.00	KDRULF4HE3R	\$974.00
	KDRULF1H	50	25	\$626.00	KDRULF1HE01	\$1,057.00	KDRULF1HE3R	\$1,147.00
	KDRULF2H	60	25	\$648.00	KDRULF2HE01	\$1,079.00	KDRULF2HE3R	\$1,168.00
	KDRULH2H	75	52	\$804.00	KDRULH2HE01	\$1,236.00	KDRULH2HE3R	\$1,326.00
	KDRULI2H	100	52	\$947.00	KDRULI2HE01	\$1,379.00	KDRULI2HE3R	\$1,468.00
	KDRULG3H	125	57	\$1,065.00	KDRULG3HE01	\$1,857.00	KDRULG3HE3R	\$1,984.00
	KDRULG1H	150	60	\$1,283.00	KDRULG1HE01	\$2,076.00	KDRULG1HE3R	\$2,202.00
	KDRULJ1H	200	75	\$1,772.00	KDRULJ1HE01	\$2,565.00	KDRULJ1HE3R	\$2,691.00
	KDRULL1H	250	105	\$1,905.00	KDRULL1HE01	\$2,698.00	KDRULL1HE3R	\$2,824.00
	KDRULL2H	300	105	\$1,927.00	KDRULL2HE01	\$2,718.00	KDRULL2HE3R	\$2,845.00
	KDRULL3H	350	109	\$2,220.00	KDRULL3HE01	\$3,013.00	KDRULL3HE3R	\$3,139.00
	KDRULL4H	400	135	\$2,872.00	KDRULL4HE01	\$3,665.00	KDRULL4HE3R	\$3,791.00
	KDRULL5H	450	135	\$2,985.00	KDRULL5HE01	\$4,632.00	KDRULL5HE3R	\$5,252.00
	KDRULL6H	500	135	\$3,719.00	KDRULL6HE01	\$5,366.00	KDRULL6HE3R	\$5,986.00
	KDRULS1H	600	272	\$4,600.00	KDRULS1HE01	\$7,260.00	Consult Factory for Assistance	
KDRULS2H	700	280	\$5,303.00	KDRULS2HE01	\$7,963.00			
KDRULX2H	800	305	\$7,323.00	KDRULX2HE01	\$9,983.00			
KDRULX3H	900	308	\$8,028.00	KDRULX3HE01	\$10,687.00			
KDRULX4H	1000	317	\$8,731.00	KDRULX4HE01	\$11,390.00			
KDRULY2H	1100	550	\$9,435.00	KDRULY2HE01	\$12,095.00			
KDRULY1H	1250	695	\$10,491.00	KDRULY1HE01	\$13,151.00			



* For enclosed unit dimensions and added weight, please refer to the Reactor Enclosure Price Page

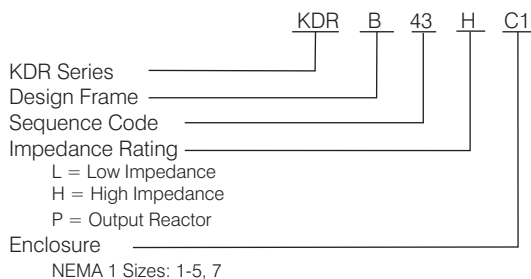
KDR Optimized Line Reactors

KDR 575/600V

575/600 Volt Low-Z

Part Number	NEC Motor HP	NEC Motor Current	Watts Loss	Standard Terms	Dimensions (in.)		Open		NEMA 1 Enclosed	
					Height x Width x Depth		Weight	List Price	Part Number	List Price
KDRA55L	0.5	0.9	6	TB	4.00 x 4.18 x 3.75		4	\$ 115.00	KDRA55LC1	\$ 239.00
KDRA56L	0.75	1.3	9.3	TB	4.00 x 4.18 x 3.75		4	\$ 117.00	KDRA56LC1	\$ 241.00
KDRA50L	1	1.7	12	TB	4.00 x 4.18 x 3.75		4	\$ 123.00	KDRA50LC1	\$ 247.00
KDRA51L	1.5	2.4	19	TB	4.00 x 4.18 x 3.75		4	\$ 127.00	KDRA51LC1	\$ 250.00
KDRA46L	2	2.7	22	TB	4.00 x 4.18 x 3.75		4	\$ 128.00	KDRA46LC1	\$ 251.00
KDRA52L	3	3.9	23.3	TB	4.00 x 4.18 x 3.75		4	\$ 134.00	KDRA52LC1	\$ 259.00
KDRA47L	5	6.1	34.7	TB	4.00 x 4.18 x 3.75		4	\$ 140.00	KDRA47LC1	\$ 265.00
KDRA48L	7.5	9	42.9	TB	4.00 x 4.18 x 3.75		4	\$ 166.00	KDRA48LC1	\$ 290.00
KDRA49L	10	11	43.8	TB	4.00 x 4.18 x 3.75		5	\$ 185.00	KDRA49LC1	\$ 310.00
KDRB45L	15	17	66.2	TB	5.00 x 6.00 x 4.00		8	\$ 211.00	KDRB45LC1	\$ 335.00
KDRB44L	20	22	71.2	TB	5.00 x 6.00 x 4.00		8	\$ 222.00	KDRB44LC1	\$ 347.00
KDRB43L	25	27	76.7	TB	5.00 x 6.00 x 4.00		8	\$ 243.00	KDRB43LC1	\$ 367.00
KDRD42L	30	32	106	TB	5.75 x 7.20 x 4.25		12	\$ 246.00	KDRD42LC2	\$ 395.00
KDRC43L	40	41	109	TB	5.75 x 7.20 x 5.00		15	\$ 267.00	KDRC43LC2	\$ 416.00
KDRC44L	50	52	123	TB	5.75 x 7.20 x 5.00		15	\$ 288.00	KDRC44LC2	\$ 436.00
KDRF46L	60	62	181	TB	7.00 x 9.00 x 6.00		30	\$ 383.00	KDRF46LC3	\$ 594.00
KDRF47L	75	77	194	TB	7.00 x 9.00 x 6.00		30	\$ 398.00	KDRF47LC3	\$ 609.00
KDRF45L	100	99	194	CB	7.00 x 9.00 x 6.00		30	\$ 552.00	KDRF45LC4	\$ 905.00
KDRH43L	125	125	261	CB	9.00 x 11.00 x 7.00		45	\$ 628.00	KDRH43LC4	\$ 981.00
KDRH44L	150	144	253	CB	9.00 x 11.00 x 7.00		45	\$ 780.00	KDRH44LC4	\$ 1,134.00
KDRI42L	200	192	342	CB	9.00 x 11.00 x 7.00		50	\$ 831.00	KDRI42LC4	\$ 1,185.00
KDRG47L	250	242	394	CB	9.00 x 11.00 x 8.00		65	\$ 927.00	KDRG47LC4	\$ 1,280.00
KDRG45L	300	289	374	CB	9.00 x 11.00 x 8.00		65	\$ 1,087.00	KDRG45LC4	\$ 1,440.00
KDRJ45L	350	336	474	CB	9.00 x 11.00 x 9.00		70	\$ 1,216.00	KDRJ45LC5	\$ 1,687.00
KDRJ43L	400	382	463	CB	9.00 x 11.00 x 9.00		70	\$ 1,279.00	KDRJ43LC5	\$ 1,751.00
KDRJ44L	450	412	473	CB	9.00 x 11.00 x 9.00		70	\$ 1,471.00	KDRJ44LC5	\$ 1,944.00
KDRL45L	500	472	587	CB	11.38 x 15.00 x 11.00		110	\$ 1,535.00	KDRL45LC5	\$ 2,006.00
KDRL42L	600	576	716	CB	11.38 x 15.00 x 11.00		150	\$ 1,887.00	KDRL42LC5	\$ 2,360.00
KDRL43L	700	672	836	CB	11.38 x 15.00 x 11.00		160	\$ 2,238.00	KDRL43LC5	\$ 2,711.00
KDRS41L	800	768	685	CB	11.38 x 15.00 x 13.00		185	\$ 2,749.00	KDRS41LC7	\$ 3,434.00
KDRX41L	900	864	1075	CB	18.50 x 18.25 x 12.50		280	\$ 3,324.00	KDRX41LC7	\$ 4,566.00
KDRX42L	1000	960	1194	CB	18.50 x 18.25 x 12.50		280	\$ 3,515.00	KDRX42LC7	\$ 4,756.00
KDRX43L	1100	1056	1313	CB	18.50 x 18.25 x 12.50		315	\$ 3,696.00	KDRX43LC7	\$ 4,937.00
KDRX44L	1250	1200	1493	CB	18.50 x 18.25 x 12.50		300	\$ 4,023.00	KDRX44LC7	\$ 5,265.00
KDRY41L	1500	1440	1791	CB	20.00 x 21.00 x 16.00		465	\$ 6,868.00	KDRY41LC7	\$ 8,110.00

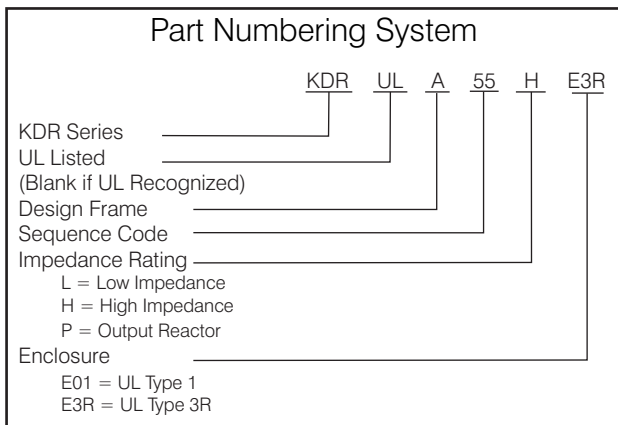
Part Numbering System



* For enclosed unit dimensions and added weight, please refer to the Reactor Enclosure Price Page

KDR Optimized Line Reactors

	Part Number	NEC Motor HP	Open		UL Type 1 Enclosed		UL Type 3R Enclosed	
			Weight	List Price	Part Number *	List Price	Part Number *	List Price
575/600 Volt Low-Z	KDRULA55L	0.5	4	\$120.00	KDRULA55LE01	\$341.00	KDRULA55LE3R	\$456.00
	KDRULA56L	0.75	4	\$123.00	KDRULA56LE01	\$345.00	KDRULA56LE3R	\$460.00
	KDRULA50L	1	4	\$128.00	KDRULA50LE01	\$350.00	KDRULA50LE3R	\$464.00
	KDRULA51L	1.5	4	\$131.00	KDRULA51LE01	\$353.00	KDRULA51LE3R	\$467.00
	KDRULA46L	2	4	\$134.00	KDRULA46LE01	\$355.00	KDRULA46LE3R	\$469.00
	KDRULA52L	3	4	\$139.00	KDRULA52LE01	\$361.00	KDRULA52LE3R	\$476.00
	KDRULA47L	5	4	\$146.00	KDRULA47LE01	\$368.00	KDRULA47LE3R	\$482.00
	KDRULA48L	7.5	4	\$173.00	KDRULA48LE01	\$395.00	KDRULA48LE3R	\$510.00
	KDRULA49L	10	5	\$193.00	KDRULA49LE01	\$414.00	KDRULA49LE3R	\$529.00
	KDRULB45L	15	8	\$219.00	KDRULB45LE01	\$441.00	KDRULB45LE3R	\$555.00
	KDRULB44L	20	8	\$233.00	KDRULB44LE01	\$455.00	KDRULB44LE3R	\$569.00
	KDRULB43L	25	8	\$253.00	KDRULB43LE01	\$476.00	KDRULB43LE3R	\$589.00
	KDRULD42L	30	12	\$259.00	KDRULD42LE01	\$480.00	KDRULD42LE3R	\$595.00
	KDRULC43L	40	15	\$280.00	KDRULC43LE01	\$501.00	KDRULC43LE3R	\$616.00
	KDRULC44L	50	15	\$300.00	KDRULC44LE01	\$521.00	KDRULC44LE3R	\$636.00
	KDRULF46L	60	30	\$400.00	KDRULF46LE01	\$831.00	KDRULF46LE3R	\$920.00
	KDRULF47L	75	30	\$414.00	KDRULF47LE01	\$846.00	KDRULF47LE3R	\$935.00
	KDRULF45L	100	33	\$645.00	KDRULF45LE01	\$1,077.00	KDRULF45LE3R	\$1,166.00
	KDRULH43L	125	48	\$722.00	KDRULH43LE01	\$1,153.00	KDRULH43LE3R	\$1,243.00
	KDRULH44L	150	51	\$889.00	KDRULH44LE01	\$1,320.00	KDRULH44LE3R	\$1,411.00
	KDRULI42L	200	56	\$944.00	KDRULI42LE01	\$1,736.00	KDRULI42LE3R	\$1,863.00
	KDRULG47L	250	74	\$1,131.00	KDRULG47LE01	\$1,922.00	KDRULG47LE3R	\$2,050.00
	KDRULG45L	300	74	\$1,280.00	KDRULG45LE01	\$2,072.00	KDRULG45LE3R	\$2,199.00
	KDRULJ45L	350	79	\$1,414.00	KDRULJ45LE01	\$2,205.00	KDRULJ45LE3R	\$2,333.00
	KDRULJ43L	400	79	\$1,479.00	KDRULJ43LE01	\$2,271.00	KDRULJ43LE3R	\$2,398.00
KDRULJ44L	450	79	\$1,681.00	KDRULJ44LE01	\$2,472.00	KDRULJ44LE3R	\$2,600.00	
KDRULL45L	500	125	\$1,811.00	KDRULL45LE01	\$3,457.00	KDRULL45LE3R	\$4,078.00	
KDRULL42L	600	165	\$2,504.00	KDRULL42LE01	\$4,151.00	KDRULL42LE3R	\$4,771.00	
KDRULL43L	700	288	\$2,712.00	KDRULL43LE01	\$5,371.00	Consult Factory for Assistance		
KDRULS41L	800	293	\$3,440.00	KDRULS41LE01	\$6,526.00			
KDRULX41L	900	280	\$5,156.00	KDRULX41LE01	\$7,816.00			
KDRULX42L	1000	314	\$5,355.00	KDRULX42LE01	\$8,015.00			
KDRULX43L	1100	340	\$5,544.00	KDRULX43LE01	\$8,203.00			
KDRULX44L	1250	350	\$5,884.00	KDRULX44LE01	\$8,544.00			
KDRULY41L	1500	525	\$8,850.00	KDRULY41LE01	\$11,510.00			



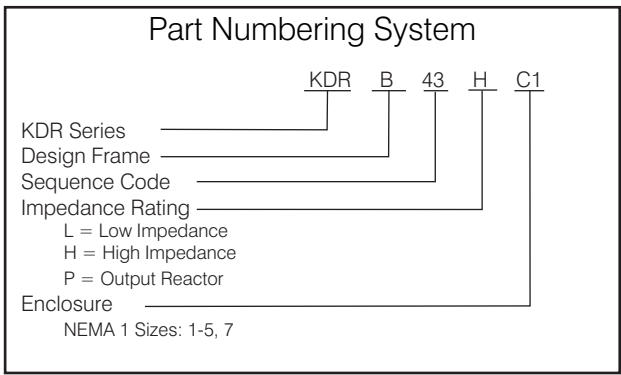
* For enclosed unit dimensions and added weight, please refer to the Reactor Enclosure Price Page

KDR Optimized Line Reactors

KDR 575/600V

575/600 Volt High-Z

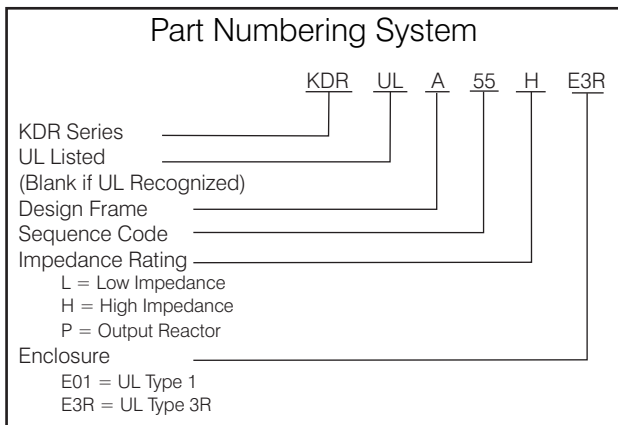
Part Number	NEC Motor HP	NEC Motor Current	Watts Loss	Standard Terms	Dimensions (in.)	Open		NEMA 1 Enclosed	
					Height x Width x Depth	Weight	List Price	Part Number	List Price
KDRA55H	0.5	0.9	9	TB	4.00 x 4.18 x 3.75	4	\$ 128.00	KDRA55HC1	\$ 251.00
KDRA52H	0.75	1.3	13	TB	4.00 x 4.18 x 3.75	4	\$ 132.00	KDRA52HC1	\$ 256.00
KDRA50H	1	1.7	17	TB	4.00 x 4.18 x 3.75	4	\$ 134.00	KDRA50HC1	\$ 259.00
KDRA51H	1.5	2.4	26	TB	4.00 x 4.18 x 3.75	4	\$ 136.00	KDRA51HC1	\$ 261.00
KDRA43H	2	2.7	24	TB	4.00 x 4.18 x 3.75	4	\$ 139.00	KDRA43HC1	\$ 264.00
KDRA44H	3	3.9	35	TB	4.00 x 4.18 x 3.75	4	\$ 140.00	KDRA44HC1	\$ 265.00
KDRA45H	5	6.1	48	TB	4.00 x 4.18 x 3.75	4	\$ 202.00	KDRA45HC1	\$ 326.00
KDRB42H	7.5	9	61	TB	5.00 x 6.00 x 4.00	8	\$ 250.00	KDRB42HC2	\$ 399.00
KDRB43H	10	11	71	TB	5.00 x 6.00 x 4.00	8	\$ 282.00	KDRB43HC2	\$ 430.00
KDRB44H	15	17	73	TB	5.00 x 6.00 x 4.00	8	\$ 289.00	KDRB44HC2	\$ 437.00
KDRD41H	20	22	106	TB	5.75 x 7.20 x 4.25	12	\$ 307.00	KDRD41HC2	\$ 455.00
KDRC43H	25	27	107	TB	5.75 x 7.20 x 5.00	15	\$ 333.00	KDRC43HC2	\$ 481.00
KDRE42H	30	32	140	TB	5.75 x 7.20 x 5.00	16	\$ 387.00	KDRE42HC2	\$ 535.00
KDRF44H	40	41	172	TB	7.00 x 9.00 x 6.00	30	\$ 461.00	KDRF44HC3	\$ 671.00
KDRF45H	50	52	166	TB	7.00 x 9.00 x 6.00	30	\$ 588.00	KDRF45HC3	\$ 799.00
KDRH43H	60	62	205	TB	9.00 x 11.00 x 6.00	45	\$ 633.00	KDRH43HC4	\$ 986.00
KDRH42H	75	77	251	TB	9.00 x 11.00 x 6.00	45	\$ 660.00	KDRH42HC4	\$ 1,013.00
KDRI41H	100	99	268	CB	9.00 x 11.00 x 7.00	50	\$ 960.00	KDRI41HC4	\$ 1,313.00
KDRG44H	125	125	381	CB	9.00 x 11.00 x 7.50	65	\$ 1,011.00	KDRG44HC4	\$ 1,364.00
KDRG45H	150	144	406	CB	9.00 x 11.00 x 8.00	65	\$ 1,056.00	KDRG45HC4	\$ 1,410.00
KDRJ41H	200	192	466	CB	9.00 x 11.00 x 9.00	70	\$ 1,344.00	KDRJ41HC5	\$ 1,815.00
KDRL46H	250	242	472	CB	11.38 x 15.00 x 11.00	110	\$ 1,887.00	KDRL46HC5	\$ 2,360.00
KDRL47H	300	289	490	CB	11.38 x 15.00 x 11.00	110	\$ 1,918.00	KDRL47HC5	\$ 2,390.00
KDRL48H	350	336	539	CB	11.38 x 15.00 x 11.00	110	\$ 1,983.00	KDRL48HC5	\$ 2,454.00
KDRL49H	400	382	603	CB	11.38 x 15.00 x 11.00	110	\$ 2,035.00	KDRL49HC5	\$ 2,506.00
KDRS47H	450	412	521	CB	11.38 x 15.00 x 13.00	150	\$ 2,696.00	KDRS47HC5	\$ 3,168.00
KDRS46H	500	472	661	CB	11.38 x 15.00 x 13.00	150	\$ 2,811.00	KDRS46HC5	\$ 3,282.00
KDRS49H	600	576	1194	CB	11.38 x 15.00 x 13.00	176	\$ 2,874.00	KDRS49HC5	\$ 3,347.00
KDRS48H	700	672	1393	CB	11.38 x 15.00 x 13.00	200	\$ 2,974.00	KDRS48HC5	\$ 3,447.00
KDRX44H	800	768	1592	CB	18.50 x 18.25 x 12.50	310	\$ 3,263.00	KDRX44HC7	\$ 4,503.00
KDRX41H	900	864	1791	CB	18.50 x 18.25 x 12.50	310	\$ 3,787.00	KDRX41HC7	\$ 5,029.00
KDRX42H	1000	960	1990	CB	18.50 x 18.25 x 12.50	375	\$ 4,004.00	KDRX42HC7	\$ 5,245.00
KDRX43H	1100	1056	2189	CB	18.50 x 18.25 x 12.50	450	\$ 4,157.00	KDRX43HC7	\$ 5,399.00
KDRY41H	1250	1200	2488	CB	20.00 x 21.00 x 16.00	475	\$ 6,550.00	KDRY41HC7	\$ 7,791.00
KDRY42H	1500	1440	2985	CB	20.00 x 21.00 x 16.00	575	\$ 7,532.00	KDRY42HC7	\$ 8,773.00



* For enclosed unit dimensions and added weight, please refer to the Reactor Enclosure Price Page

KDR Optimized Line Reactors

	Part Number	NEC Motor HP	Open		UL Type 1 Enclosed		UL Type 3R Enclosed	
			Weight	List Price	Part Number *	List Price	Part Number *	List Price
575/600 Volt High-Z	KDRULA55H	0.5	4	\$134.00	KDRULA55HE01	\$355.00	KDRULA55HE3R	\$469.00
	KDRULA52H	0.75	4	\$137.00	KDRULA52HE01	\$359.00	KDRULA52HE3R	\$473.00
	KDRULA50H	1	4	\$139.00	KDRULA50HE01	\$361.00	KDRULA50HE3R	\$476.00
	KDRULA51H	1.5	4	\$143.00	KDRULA51HE01	\$365.00	KDRULA51HE3R	\$479.00
	KDRULA43H	2	4	\$145.00	KDRULA43HE01	\$367.00	KDRULA43HE3R	\$481.00
	KDRULA44H	3	4	\$146.00	KDRULA44HE01	\$368.00	KDRULA44HE3R	\$482.00
	KDRULA45H	5	4	\$210.00	KDRULA45HE01	\$431.00	KDRULA45HE3R	\$546.00
	KDRULB42H	7.5	8	\$261.00	KDRULB42HE01	\$482.00	KDRULB42HE3R	\$597.00
	KDRULB43H	10	8	\$295.00	KDRULB43HE01	\$516.00	KDRULB43HE3R	\$631.00
	KDRULB44H	15	8	\$302.00	KDRULB44HE01	\$524.00	KDRULB44HE3R	\$638.00
	KDRULD41H	20	12	\$319.00	KDRULD41HE01	\$541.00	KDRULD41HE3R	\$655.00
	KDRULC43H	25	15	\$345.00	KDRULC43HE01	\$567.00	KDRULC43HE3R	\$681.00
	KDRULE42H	30	16	\$403.00	KDRULE42HE01	\$624.00	KDRULE42HE3R	\$739.00
	KDRULF44H	40	30	\$480.00	KDRULF44HE01	\$911.00	KDRULF44HE3R	\$1,000.00
	KDRULF45H	50	30	\$613.00	KDRULF45HE01	\$1,044.00	KDRULF45HE3R	\$1,133.00
	KDRULH43H	60	45	\$659.00	KDRULH43HE01	\$1,089.00	KDRULH43HE3R	\$1,180.00
	KDRULH42H	75	45	\$691.00	KDRULH42HE01	\$1,118.00	KDRULH42HE3R	\$1,207.00
	KDRULI41H	100	53	\$1,068.00	KDRULI41HE01	\$1,500.00	KDRULI41HE3R	\$1,589.00
	KDRULG44H	125	68	\$1,121.00	KDRULG44HE01	\$1,553.00	KDRULG44HE3R	\$1,643.00
	KDRULG45H	150	71	\$1,176.00	KDRULG45HE01	\$1,968.00	KDRULG45HE3R	\$2,095.00
	KDRULJ41H	200	76	\$1,476.00	KDRULJ41HE01	\$2,268.00	KDRULJ41HE3R	\$2,395.00
	KDRULL46H	250	120	\$2,133.00	KDRULL46HE01	\$2,926.00	KDRULL46HE3R	\$3,052.00
	KDRULL47H	300	120	\$2,147.00	KDRULL47HE01	\$2,939.00	KDRULL47HE3R	\$3,066.00
	KDRULL48H	350	120	\$2,214.00	KDRULL48HE01	\$3,006.00	KDRULL48HE3R	\$3,133.00
	KDRULL49H	400	120	\$2,268.00	KDRULL49HE01	\$3,061.00	KDRULL49HE3R	\$3,187.00
	KDRULS47H	450	175	\$3,020.00	KDRULS47HE01	\$4,667.00	KDRULS47HE3R	\$5,287.00
KDRULS46H	500	175	\$3,138.00	KDRULS46HE01	\$4,785.00	KDRULS46HE3R	\$5,405.00	
KDRULS49H	600	187	\$4,198.00	KDRULS49HE01	\$5,845.00	KDRULS49HE3R	\$6,465.00	
KDRULS48H	700	215	\$4,311.00	KDRULS48HE01	\$6,970.00	Consult Factory for Assistance		
KDRULX44H	800	298	\$5,091.00	KDRULX44HE01	\$7,751.00			
KDRULX41H	900	308	\$5,638.00	KDRULX41HE01	\$8,298.00			
KDRULX42H	1000	393	\$5,865.00	KDRULX42HE01	\$8,524.00			
KDRULX43H	1100	468	\$6,024.00	KDRULX43HE01	\$8,684.00			
KDRULY41H	1250	505	\$8,518.00	KDRULY41HE01	\$11,178.00			
KDRULY42H	1500	600	\$9,541.00	KDRULY42HE01	\$12,201.00			



* For enclosed unit dimensions and added weight, please refer to the Reactor Enclosure Price Page

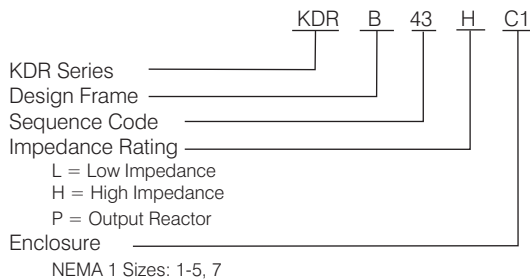
KDR Optimized Line Reactors

KDR 690V

690 Volt Low-Z

Part Number	NEC Motor HP	NEC Motor Current	Watts Loss	Standard Terms	Dimensions (in.) Height x Width x Depth	Open		NEMA 1 Enclosed	
						Weight	List Price	Part Number *	List Price
KDRA55LV	0.5	0.9	6	QD	4.00 x 4.18 x 3.75	4	\$ 115.00	KDRA55LC1V	\$ 239.00
KDRA56LV	0.75	1.3	9.3	QD	4.00 x 4.18 x 3.75	4	\$ 117.00	KDRA56LC1V	\$ 241.00
KDRA50LV	1	1.7	12	QD	4.00 x 4.18 x 3.75	4	\$ 123.00	KDRA50LC1V	\$ 247.00
KDRA51LV	1.5	2.4	19	QD	4.00 x 4.18 x 3.75	4	\$ 127.00	KDRA51LC1V	\$ 250.00
KDRA46LV	2	2.7	22	QD	4.00 x 4.18 x 3.75	4	\$ 128.00	KDRA46LC1V	\$ 251.00
KDRA52LV	3	3.9	23.3	QD	4.00 x 4.18 x 3.75	4	\$ 134.00	KDRA52LC1V	\$ 259.00
KDRA47LV	5	6.1	34.7	QD	4.00 x 4.18 x 3.75	4	\$ 140.00	KDRA47LC1V	\$ 265.00
KDRA48LV	7.5	9	42.9	QD	4.00 x 4.18 x 3.75	4	\$ 166.00	KDRA48LC1V	\$ 290.00
KDRA49LV	10	11	43.8	QD	4.00 x 4.18 x 3.75	5	\$ 185.00	KDRA49LC1V	\$ 310.00
KDRB45LV	15	17	66.2	RL	5.00 x 6.00 x 4.50	8	\$ 211.00	KDRB45LC2V	\$ 335.00
KDRB44LV	20	22	71.2	RL	5.00 x 6.00 x 4.50	8	\$ 222.00	KDRB44LC2V	\$ 347.00
KDRB43LV	25	27	76.7	RL	5.00 x 6.00 x 4.50	8	\$ 243.00	KDRB43LC2V	\$ 367.00
KDRD42LV	30	32	106	RL	5.75 x 7.20 x 4.50	15	\$ 246.00	KDRD42LC2V	\$ 395.00
KDRC43LV	40	41	109	RL	5.75 x 7.20 x 5.00	12	\$ 267.00	KDRC43LC2V	\$ 416.00
KDRC44LV	50	52	123	RL	5.75 x 7.20 x 5.00	15	\$ 288.00	KDRC44LC2V	\$ 436.00
KDRF46LV	60	62	181	RL	7.00 x 9.00 x 6.00	30	\$ 383.00	KDRF46LC3V	\$ 594.00
KDRF47LV	75	77	194	RL	7.00 x 9.00 x 6.00	30	\$ 398.00	KDRF47LC3V	\$ 609.00
KDRF45LV	100	99	194	CB	7.00 x 9.00 x 6.00	30	\$ 552.00	KDRF45LC4V	\$ 905.00
KDRH43LV	125	125	261	CB	8.50 x 11.00 x 6.25	45	\$ 628.00	KDRH43LC4V	\$ 981.00
KDRH44LV	150	144	253	CB	8.50 x 11.00 x 6.25	45	\$ 780.00	KDRH44LC4V	\$ 1,134.00
KDRI42LV	200	192	342	CB	9.00 x 11.00 x 7.00	50	\$ 831.00	KDRI42LC4V	\$ 1,185.00
KDRG47LV	250	242	394	CB	9.00 x 11.00 x 8.00	65	\$ 927.00	KDRG47LC4V	\$ 1,280.00
KDRG45LV	300	289	374	CB	9.00 x 11.00 x 8.00	65	\$ 1,087.00	KDRG45LC4V	\$ 1,440.00
KDRJ45LV	350	336	474	CB	9.00 x 11.00 x 9.00	70	\$ 1,216.00	KDRJ45LC5V	\$ 1,687.00
KDRJ43LV	400	382	463	CB	9.00 x 11.00 x 9.00	70	\$ 1,279.00	KDRJ43LC5V	\$ 1,751.00
KDRJ44LV	450	412	473	CB	9.00 x 11.00 x 9.00	70	\$ 1,471.00	KDRJ44LC5V	\$ 1,944.00
KDRL45LV	500	472	587	CB	11.38 x 15.00 x 11.00	110	\$ 1,535.00	KDRL45LC5V	\$ 2,006.00
KDRL42LV	600	576	716	CB	11.38 x 15.00 x 11.00	150	\$ 1,887.00	KDRL42LC5V	\$ 2,360.00
KDRL43LV	700	672	836	CB	11.38 x 15.00 x 11.00	270	\$ 2,238.00	KDRL43LC5V	\$ 2,711.00
KDRS41LV	800	768	955	CB	11.38 x 15.00 x 11.00	275	\$ 2,430.00	KDRS41LC5V	\$ 2,902.00
KDRX41LV	900	864	1075	CB	18.50 x 18.25 x 12.50	280	\$ 3,324.00	KDRX41LC7V	\$ 4,566.00
KDRX42LV	1000	960	1194	CB	18.50 x 18.25 x 12.50	290	\$ 3,515.00	KDRX42LC7V	\$ 4,756.00
KDRX43LV	1100	1056	1313	CB	18.50 x 18.25 x 12.50	315	\$ 3,696.00	KDRX43LC7V	\$ 4,937.00
KDRX44LV	1250	1200	1493	CB	18.50 x 18.25 x 12.50	325	\$ 4,023.00	KDRX44LC7V	\$ 5,265.00
KDRY41LV	1500	1440	1791	CB	20.00 x 21.00 x 16.00	465	\$ 6,868.00	KDRY41LC7V	\$ 8,110.00

Part Numbering System



* For enclosed unit dimensions and added weight, please refer to the Reactor Enclosure Price Page

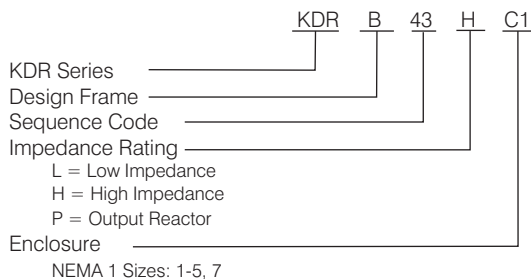
UL Listed available upon request.

KDR Optimized Line Reactors

690 Volt High-Z

Part Number	NEC Motor HP	NEC Motor Current	Watts Loss	Standard Terms	Dimensions (in.)	Open		NEMA 1 Enclosed	
					Height x Width x Depth	Weight	List Price	Part Number *	List Price
KDRA55HV	0.5	0.9	9	QD	4.00 x 4.18 x 3.75	4	\$ 128.00	KDRA55HC1V	\$ 251.00
KDRA52HV	0.75	1.3	13	QD	4.00 x 4.18 x 3.75	4	\$ 132.00	KDRA52HC1V	\$ 256.00
KDRA50HV	1	1.7	17	QD	4.00 x 4.18 x 3.75	4	\$ 134.00	KDRA50HC1V	\$ 259.00
KDRA51HV	1.5	2.4	26	QD	4.00 x 4.18 x 3.75	4	\$ 136.00	KDRA51HC1V	\$ 261.00
KDRA43HV	2	2.7	24	QD	4.00 x 4.18 x 3.75	4	\$ 139.00	KDRA43HC1V	\$ 264.00
KDRA44HV	3	3.9	35	QD	4.00 x 4.18 x 3.75	4	\$ 140.00	KDRA44HC1V	\$ 265.00
KDRA45HV	5	6.1	48	QD	4.00 x 4.18 x 3.75	4	\$ 202.00	KDRA45HC1V	\$ 326.00
KDRB42HV	7.5	9	61	QD	5.00 x 6.00 x 4.00	8	\$ 250.00	KDRB42HC2V	\$ 399.00
KDRB43HV	10	11	71	QD	5.00 x 6.00 x 4.00	8	\$ 282.00	KDRB43HC2V	\$ 430.00
KDRB44HV	15	17	73	RL	5.00 x 6.00 x 4.50	8	\$ 289.00	KDRB44HC2V	\$ 437.00
KDRD41HV	20	22	106	RL	5.75 x 7.20 x 4.50	12	\$ 307.00	KDRD41HC2V	\$ 455.00
KDRC43HV	25	27	107	RL	5.75 x 7.20 x 5.00	15	\$ 333.00	KDRC43HC2V	\$ 481.00
KDRE42HV	30	32	140	RL	5.75 x 7.20 x 5.12	16	\$ 387.00	KDRE42HC3V	\$ 535.00
KDRF44HV	40	41	172	RL	7.00 x 9.00 x 6.00	30	\$ 461.00	KDRF44HC3V	\$ 671.00
KDRF45HV	50	52	166	RL	7.00 x 9.00 x 6.00	30	\$ 588.00	KDRF45HC3V	\$ 799.00
KDRH43HV	60	62	205	RL	8.50 x 11.00 x 6.50	45	\$ 633.00	KDRH43HC4V	\$ 986.00
KDRH42HV	75	77	251	RL	8.50 x 11.00 x 6.50	45	\$ 660.00	KDRH42HC4V	\$ 1,013.00
KDRI41HV	100	99	268	CB	9.00 x 11.00 x 7.00	50	\$ 960.00	KDRI41HC4V	\$ 1,313.00
KDRG44HV	125	125	381	CB	9.00 x 11.00 x 7.50	65	\$ 1,011.00	KDRG44HC4V	\$ 1,364.00
KDRG45HV	150	144	406	CB	9.00 x 11.00 x 8.00	65	\$ 1,056.00	KDRG45HC4V	\$ 1,410.00
KDRJ41HV	200	192	466	CB	9.00 x 11.00 x 9.00	70	\$ 1,344.00	KDRJ41HC5V	\$ 1,815.00
KDRL46HV	250	242	472	CB	11.38 x 15.00 x 11.00	110	\$ 1,887.00	KDRL46HC5V	\$ 2,360.00
KDRL47HV	300	289	490	CB	11.38 x 15.00 x 11.00	110	\$ 1,918.00	KDRL47HC5V	\$ 2,390.00
KDRL48HV	350	336	539	CB	11.38 x 15.00 x 11.00	110	\$ 1,983.00	KDRL48HC5V	\$ 2,454.00
KDRL49HV	400	382	603	CB	11.38 x 15.00 x 11.00	110	\$ 2,035.00	KDRL49HC5V	\$ 2,506.00
KDRS47HV	450	412	521	CB	11.38 x 15.00 x 13.00	165	\$ 2,696.00	KDRS47HC5V	\$ 3,168.00
KDRS46HV	500	472	661	CB	11.38 x 15.00 x 13.00	165	\$ 2,811.00	KDRS46HC5V	\$ 3,282.00
KDRS49HV	600	576	1194	CB	11.38 x 15.00 x 13.00	175	\$ 2,874.00	KDRS49HC5V	\$ 3,347.00
KDRS48HV	700	672	1393	CB	11.38 x 15.00 x 13.00	200	\$ 2,974.00	KDRS48HC5V	\$ 3,447.00
KDRX44HV	800	768	1592	CB	18.50 x 18.25 x 12.50	280	\$ 3,263.00	KDRX44HC7V	\$ 4,503.00
KDRX41HV	900	864	1791	CB	18.50 x 18.25 x 12.50	290	\$ 3,787.00	KDRX41HC7V	\$ 5,029.00
KDRX42HV	1000	960	1990	CB	18.50 x 18.25 x 12.50	375	\$ 4,004.00	KDRX42HC7V	\$ 5,245.00
KDRX43HV	1100	1056	2189	CB	18.50 x 18.25 x 12.50	450	\$ 4,157.00	KDRX43HC7V	\$ 5,399.00
KDRY41HV	1250	1200	2488	CB	20.00 x 21.00 x 16.00	475	\$ 6,550.00	KDRY41HC7V	\$ 7,791.00
KDRY42HV	1500	1440	2985	CB	20.00 x 21.00 x 16.00	575	\$ 7,532.00	KDRY42HC7V	\$ 8,773.00

Part Numbering System



* For enclosed unit dimensions and added weight, please refer to the Reactor Enclosure Price Page

UL Listed available upon request.