

DC Surge Protection

I²R IEP Series

1452-019 RevB



I²R IEP 12-5
1104-11-000

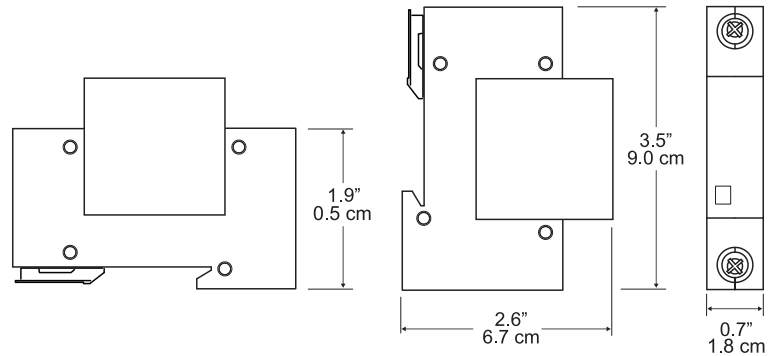
Modular indoor, DIN rail, Class II silicon surge protection device for 12, 24 and 48 Vdc

Features

- Silicon diode surge protection
- Replaceable modules
- DIN rail mount
- Visual and remote status indication

Standards

- IEC 61643-1
- RoHS Compliant



I ² R IEP Model	12-5	24-5	48-5
Part Number	1104-11-000	1104-11-001	1104-11-002

Performance

Nominal Operating Voltage (U_n)	12 Vdc	24 Vdc	48 Vdc
Maximum Continuous Operating Voltage (U_c)	14 Vdc	28 Vdc	57 Vdc
Maximum Discharge Current (I_{max}) (8/20 μ s)	5 kA (ClassII)	5 kA (ClassII)	5 kA (ClassII)
Nominal Discharge Current (I_n) (8/20 μ s)	2.5 kA	2.5 kA	2.5 kA
Voltage Protection Level (U_p) (8/20 μ s)	<75 V	<95 V	<130 V
Leakage Current (I_l)	<10 μ A	<10 μ A	<10 μ A

Mechanical

Maximum Wire Size	16 mm ² (stranded) - 25 mm ² (solid) #6 to #4 AWG
Location Category	Indoor only
Dimensions - H x W x D	3.5" x 0.7" x 2.6", 9.0 cm x 1.8 cm x 6.7 cm
Weight (max) lb, kg	0.23, 0.10

Environmental

Humidity	95% non-condensing
Operating Temperature	-40°C to +80°C
IP Rating	IP 20