



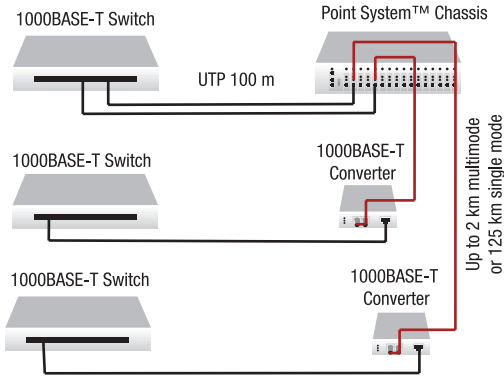
point system™ slide-in-module media converter

CGETF10xx-11x

Gigabit Ethernet Media Converter

Migrate to Gigabit Ethernet

► Migrate to Gigabit Ethernet in a cost-effective manner. Used in conjunction with lower cost 1000BASE-T switches, companies can take advantage of the high bandwidth Gigabit Ethernet offers, without all of the higher costs. Transition Networks 1000BASE-T to SX/LX converters allow users to extend the bandwidth to those users outside the reach of the 1000BASE-T standard (up to 125 km).



Specifications

Standards	IEEE Std. 802.3ab and IEEE Std. 802.3z
6-position Switch	SW1: Remote Fiber Fault Detect (Down=Enabled) SW2: Symmetric Pause SW3: Asymmetric Pause SW4: Transparent Link Pass Through (UP=Enabled) SW5: Fiber Auto-Negotiation (Down=Enabled) SW6: Loopback (Down=Enabled)
3-position Jumper	Hardware: Converter mode is determined by 6-position switch settings Software: Converter mode is determined by most recently saved on-board microprocessor settings
Status LEDs	PWR (Power): ON=connection to external AC power LKF (Fiber Link): ON=fiber connection RXC (Copper Receive): Flashing=Receiving data on copper link; ON=Copper Link connection Duplex: ON=Copper Link connection
Dimensions	Width: 0.86" [22 mm] Depth: 5.0" [127 mm] Height: 3.4" [86 mm]
Power Consumption	5.4 Watts
Environment	See chassis specifications
Shipping Weight	1 lb. [0.45 kg]
Regulatory Compliance	CISPR/EN55022 Class A + EN55024; FCC Class A; CE Mark
Warranty	Lifetime

see also: Gigabit Ethernet Stand-Alone Converter

1000BASE-T to 1000BASE-SX/LX



Features

- Copper & Fiber Auto-Negotiation
- Transparent Link Pass Through
- Automatic Link Restoration
- Remote Fault Detect
- Loopback
- Pause
- Field Upgradeable Firmware
- DMI - Diagnostic Monitoring Interface supported on CGETF1040-110 when an SFP supporting DMI is used
- DMI models have four functions:
 - Transmit Power
 - Receive Power
 - Transmit bias current
 - Temperature

Within each function, the device will send a trap (i.e. error) whenever a high or low warning event or a high or low alarm event occurs (for a total of 16 traps).

Ordering Information

CGETF1013-110
1000BASE-T (RJ-45) [100 m/328 ft.]
to 1000BASE-SX 850nm multimode (SC)
[62.5/125 µm fiber: 220 m/722 ft.]
Link Budget: 7.0 dB
[50/125 µm fiber: 550 m/1804 ft.]
Link Budget: 7.0 dB

CGETF1039-110
1000BASE-T (RJ-45) [100 m/328 ft.]
to 1000BASE-SX 850nm multimode (LC)
via SFP
[62.5/125 µm fiber: 220 m/722 ft.]
Link Budget: 8.0 dB
[50/125 µm fiber: 550 m/1804 ft.]
Link Budget: 8.0 dB

CGETF1024-110
1000BASE-T (RJ-45) [100 m/328 ft.]
to 1000BASE-LX 1310nm Extended MM
(62.5/125 µm fiber only) (SC)
[2 km/1.2 mi.] Link Budget: 7.0 dB

CGETF1014-110
1000BASE-T (RJ-45) [100 m/328 ft.]
to 1000BASE-LX 1310nm SM (SC)
[10 km/6.2 mi.] Link Budget: 10.5 dB

CGETF1015-110
1000BASE-T (RJ-45) [100 m/328 ft.]
to 1000BASE-LX 1310nm SM (SC)
[25 km/15.5 mi.] Link Budget: 15.0 dB

CGETF1017-110
1000BASE-T (RJ-45) [100 m/328 ft.]
to 1000BASE-LX 1550nm SM (SC)
[65 km/40.4 mi.] Link Budget: 21.0 dB

CGETF1035-110
1000BASE-T (RJ-45) [100 m/328 ft.]
to 1000BASE-LX 1550nm SM (SC)
[125 km/77.7 mi.] Link Budget: 27.0 dB

CGETF1040-110
1000BASE-T (RJ-45) [100 m/328 ft.]
to 1000BASE-X SFP Slot (empty)

Single Fiber Products

Recommended use in pairs

CGETF1029-110
1000BASE-T (RJ-45) [100 m/328 ft.]
to 1000BASE-LX 1310nm TX/1550nm RX
single fiber single mode (SC)
[20 km/12.4 mi.] Link Budget: 13.0 dB

CGETF1029-111
1000BASE-T (RJ-45) [100 m/328 ft.]
to 1000BASE-LX 1550nm TX/1310nm RX
single fiber single mode (SC)
[20 km/12.4 mi.] Link Budget: 13.0 dB

CGETF1029-112
1000BASE-T (RJ-45) [100 m/328 ft.]
to 1000BASE-LX 1310nm TX/1550nm RX
single fiber single mode (SC)
[40 km/24.9 mi.] Link Budget: 20.0 dB

CGETF1029-113
1000BASE-T (RJ-45) [100 m/328 ft.]
to 1000BASE-LX 1550nm TX/1310nm RX
single fiber single mode (SC)
[40 km/24.9 mi.] Link Budget: 20.0 dB

CGETF1029-116
1000BASE-T (RJ-45) [100 m/328 ft.]
to 1000BASE-LX 1510nm TX/1590nm RX
single fiber single mode (SC)
[80 km/49.7 mi.] Link Budget: 29.0 dB

CGETF1029-117
1000BASE-T (RJ-45) [100 m/328 ft.]
to 1000BASE-LX 1590nm TX/1510nm RX
single fiber single mode (SC)
[80 km/49.7 mi.] Link Budget: 24.0 dB

Optional Accessories (sold separately)

SFP Modules