



see also: Fast Ethernet 100BASE-TX to 100BASE-FX Stand-Alone Media Converters

The ION Platform

slide-in-module for the ion platform

C2110 Series

Fast Ethernet Media Converter 100BASE-TX to 100BASE-FX



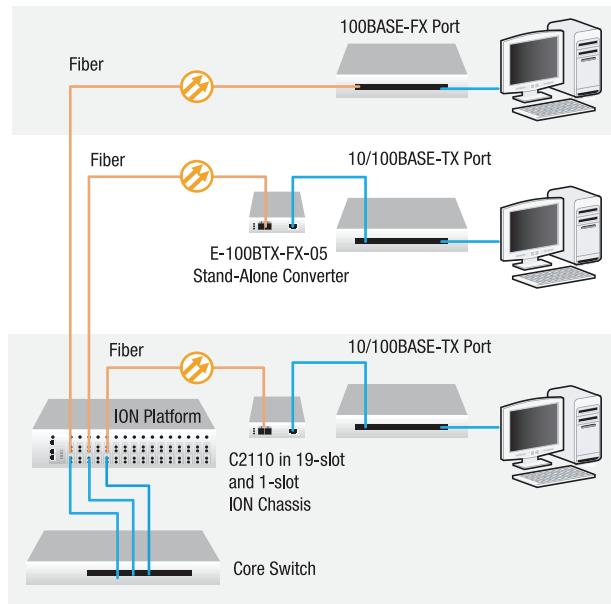
Features

- ▶ Auto-Negotiation of speed and duplex on TP port
- ▶ AutoCross™ on TP port [
- ▶ Link Pass Through (LPT1) fault monitoring
- ▶ Far-End-Fault (FEF) detection
- ▶ Automatic Link Restoration
- ▶ Pause advertisement
- ▶ Field Upgradeable Firmware
- ▶ Can be used in any ION Platform Chassis
- ▶ Standards based, will link with any Standard 100Base-TX and any Standard 100Base-FX ports

The following manageable features are available when used in an ION chassis along with an ION Management Module

- ▶ Report converter status to chassis management software:
 - TP and Fiber Link Status
 - Hardware switch settings
 - Fault condition
 - TP cable length
- ▶ Write operation includes:
 - Power on/off device
 - Auto-Negotiation enable/disable
- Pause enable/disable
- LPT enable/disable
- FEF enable/disable
- AutoCross enable/disable [

Fiber Integration in 10/100 Copper Environments



The ION C2110 device provides an interface between 100Base-TX ports and 100Base-FX ports allowing users to integrate fiber optic cabling into 100Base-TX copper environments.

Specifications

Standards	IEEE Std. 802.3
Data Rate	100 Mbps, Layer-1
Switches	SW1: Auto-Negotiation (UP = enabled) SW2: Pause (UP=enabled) SW3: Link Pass Through (UP = enabled) SW4: Far-End-Fault (UP = enabled)
Internal Jumpers	AutoCross™: Enable/Disable
Hardware/Software Jumpers	Hardware: Mode of operation is determined by the settings on the 4-position switch Software: Mode of operation is determined by the most recently saved on-board microprocessor settings
Status LEDs	PWR (Power): ON = Connection to powered backplane LKC (Copper Link): ON = Copper Link RXC (Receive Copper): Blinking = Data recieved on Copper link LKF (Fiber Link): ON = Fiber Link RXF (Receive Fiber): Blinking = Data received on Fiber Link
Dimensions	Width: 0.86" [22 mm] Depth: 6.5" [165 mm] Height: 3.4" [86 mm]
Power Consumption	2.5 Watts, 200 mA @ 13.9 VDC
Environment	See chassis specifications
Shipping Weight	1 lb. [45 kg]
Regulatory Compliance	CISPR/EN55022 Class A, FCC Class A, CE Mark
Warranty	Lifetime

Fast Ethernet

Ordering Information

- C2110-1011**
100BASE-TX (RJ-45) [100 m/328 ft.]
to 100BASE-FX 1300nm MM (ST)
[2 km/1.2 mi.] Link Budget: 11.0 dB
 - C2110-1013**
100BASE-TX (RJ-45) [100 m/328 ft.]
to 100BASE-FX 1300nm MM (SC)
[2 km/1.2 mi.] Link Budget: 11.0 dB
 - C2110-1039**
100BASE-TX (RJ-45) [100 m/328 ft.]
to 100BASE-FX 1300nm MM (LC)
[2 km/1.2 mi.] Link Budget: 11.0 dB
 - C2110-1014**
100BASE-TX (RJ-45) [100 m/328 ft.]
to 100BASE-FX 1300nm SM (SC)
[20 km/12.4 mi.] Link Budget: 16.0 dB
 - C2110-1019**
100BASE-TX (RJ-45) [100 m/328 ft.]
to 100BASE-FX 1300nm SM (LC)
[20 km/12.4 mi.] Link Budget: 17.3 dB
 - C2110-1015**
100BASE-TX (RJ-45) [100 m/328 ft.]
to 100BASE-FX 1300nm SM (SC)
[40 km/24.9 mi.] Link Budget: 29.0 dB
 - C2110-1016**
100BASE-TX (RJ-45) [100 m/328 ft.]
to 100BASE-FX 1300nm SM (SC)
[60 km/32.3 mi.] Link Budget: 29.0 dB
 - C2110-1017**
100BASE-TX (RJ-45) [100 m/328 ft.]
to 100BASE-FX 1550nm SM (SC)
[80 km/49.7 mi.] Link Budget: 29.0 dB
 - C2110-1035**
100BASE-TX (RJ-45) [100 m/328 ft.]
to 100BASE-FX 1550nm SM (SC)
[120 km/77.5 mi.] Link Budget: 36.0 dB
 - C2110-1040**
100BASE-TX (RJ-45) [100 m/328 ft.]
to 100Base-X SFP Slot (empty)
- ### Single Fiber Products
- Recommended use in pairs
- C2110-1029-A1**
100BASE-TX (RJ-45) [100 m/328 ft.]
to 100BASE-FX 1310nm TX/1550nm RX
single fiber single mode (SC)
[20 km/12.4 mi.] Link Budget: 19.0 dB
 - C2110-1029-A2**
100BASE-TX (RJ-45) [100 m/328 ft.]
to 100BASE-FX 1550nm TX/1310nm RX
single fiber single mode (SC)
[20 km/12.4 mi.] Link Budget: 19.0 dB
 - C2110-1029-B1**
100BASE-TX (RJ-45) [100 m/328 ft.]
to 100BASE-FX 1310nm TX/1550nm RX
single fiber single mode (SC)
[40 km/24.9 mi.] Link Budget: 25.0 dB
 - C2110-1029-B2**
100BASE-TX (RJ-45) [100 m/328 ft.]
to 100BASE-FX 1550nm TX/1310nm RX
single fiber single mode (SC)
[40 km/24.9 mi.] Link Budget: 25.0 dB

