



0906 UTP 303



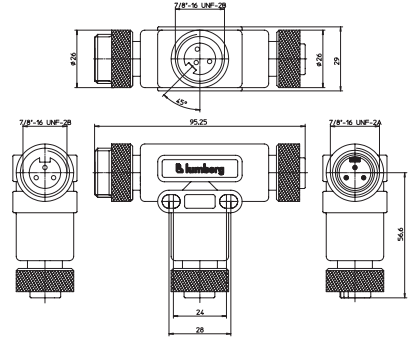
DeviceNet T-Connectors / Taps

**1 x 7/8" Female to 1 x 7/8" Male to
1 x 7/8" Female**

Splitter/T-connector, with one 7/8" female, one 7/8" male and one 7/8" female connectors, 3-poles.

– especially suitable for DeviceNet and CANopen modules –

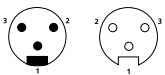
0906 UTP 303



Pin Assignments

Face Views

7/8" - 3 poles



- 1 = earth
- 2 = + 24 V
- 3 = GND (0 V)



Be Certain with Belden

DeviceNet T-Connectors / Taps

0906 UTP 303

Technical Data

Environmental

Degree of protection IP 67 / NEMA 6P
 Operating temperature range -40°C (-40°F) / +90°C (+194°F)

Mechanical

Housing / Molded body TPU
 Insert TPU
 Contact CuZn, gold over silver plating
 Coupling nut Aluminum, black anodized

Electrical

Nominal current 8 A
 Nominal voltage 600 V

Part Number	Pins	Characteristics
0906 UTP 303	3	