



0906 UTP 301



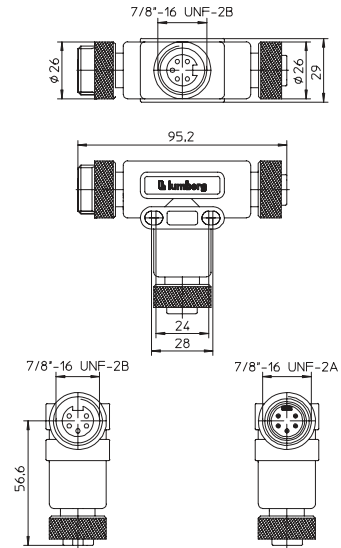
DeviceNet T-Connectors / Taps

7/8" Male to 2 x 7/8" Female

Splitter/T-connector, with one 7/8" female, one 7/8" male, and one 7/8" female connectors, 5-poles.

– especially suitable for DeviceNet modules with 7/8" bus connection –

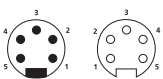
0906 UTP 301



Pin Assignments

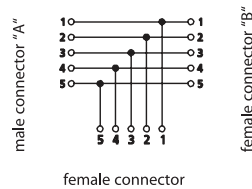
Face Views

7/8" - 5 poles



- 1 = drain
- 2 = + 24 V
- 3 = GND (0 V)
- 4 = CAN_H
- 5 = CAN_L

Wiring Diagrams





Be Certain with Belden

DeviceNet T-Connectors / Taps

0906 UTP 301

Technical Data

Environmental

Degree of protection IP 67 / NEMA 6P
 Operating temperature range -25°C (-13°F) / +90°C (+194°F)

Mechanical

Housing / Molded body TPU
 Insert TPU
 Contact CuZn, pre-nickel and 0.8 microns gold-plated
 Coupling nut Aluminum, black anodized

Electrical

Contact resistance ≤ 5 mΩ
 Nominal current at 20°C Trunk: 8 A
 Drop: 4 A
 Nominal voltage 300 V
 Insulation resistance > 10⁹ Ω
 Pollution degree 3

Part Number	Pins	Characteristics
0906 UTP 301	5	