

M12 Actuator/Sensor Distribution Boxes

ASB 4/LED - RS120M | ASB 8/LED - RS120M

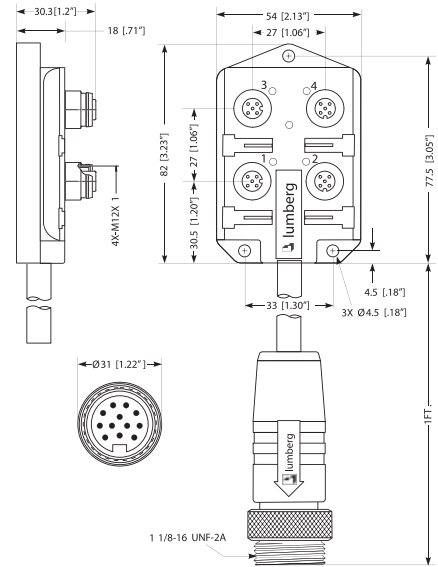


4- and 8-Ports (LED)

Actuator/sensor distribution box with LED operation and function indicators, top-entry, 4- and 8-ports, M12 sockets, 4-poles, 1 signal per socket, with integrated Mini quick disconnect home run control cable.

– control cable is suitable for c-track applications –

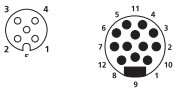
4-Ports



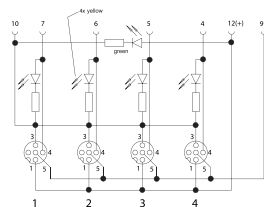
Pin Assignments

M12 / Mini 1 1/8"

Wiring Diagrams

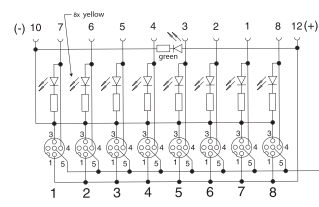


4-Ports

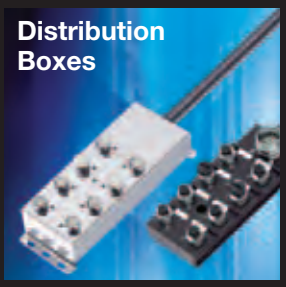


- | | |
|--------|-------|
| 1 = 12 | (+) |
| 3 = 10 | (-) |
| 4 = 1 | (7) |
| | 2 (6) |
| | 3 (5) |
| | 4 (4) |
| 5 = 9 | (gnd) |

8-Ports



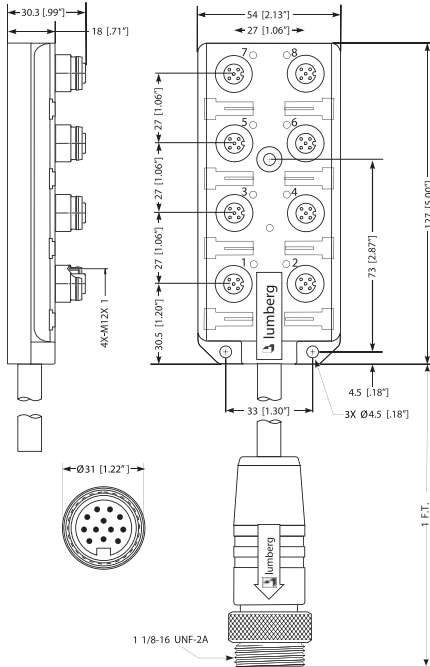
- | | |
|--------|-------|
| 1 = 12 | (+) |
| 3 = 10 | (-) |
| 4 = 1 | (7) |
| | 2 (6) |
| | 3 (5) |
| | 4 (4) |
| | 5 (3) |
| | 6 (2) |
| | 7 (1) |
| | 8 (8) |
| 5 = 9 | (gnd) |



Be Certain with Belden

M12 Actuator/Sensor Distribution Boxes ASB 4/LED 5-4-328/RS120M | ASB/LED 8 5-4-331/RS120M

8-Ports



Technical Data

Environmental

Degree of protection IP 67 / NEMA 6P
Operating temperature range -15°C (+5°F) / +80°C (+176°F)

Mechanical

Housing PUR, yellow
Insert Nylon
Contact CuZn, gold plated
Receptacle shell CuZn, nickel-plated
O-ring FKM

Mini Quick Disconnect

Molded body PUR, yellow
Insert PUR, yellow
Contact CuZn, gold plated
Coupling nut Aluminum, black anodized

Electrical

Contact resistance $\leq 5m\Omega$
Voltage rating 10-30 V DC
Current rating 4 A per port / 12 A max. total
Insulation resistance $> 10^9 \Omega$

Accessories (included)

ZVK 2 dust covers for unused sockets
ZBS 10 attachable labels

Cable Specifications

Cable No.	Outer Jacket	Conductor Size	Color	Outside Diameter
328	PUR, halogen-free	3 x 0.75 mm ² 4 x 0.34 mm ²	Black	.268" (6.8 mm)
331	PUR, halogen-free	3 x 0.75 mm ² 8 x 0.34 mm ²	Black	.315" (8.0 mm)

Part Number	Ports	Cable Length	Characteristics
ASB 4/LED 5-4-328/RS120M	4	1F	
ASB 8/LED 5-4-331/RS120M	8	1F	