
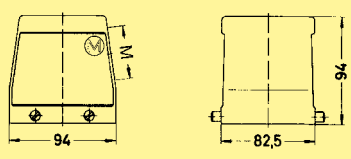

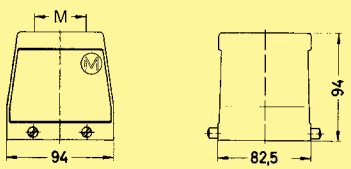
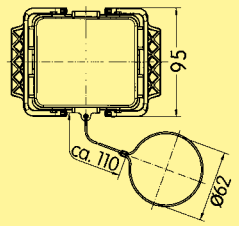

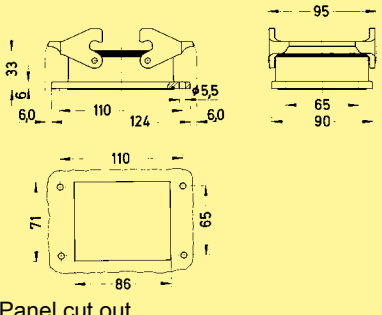

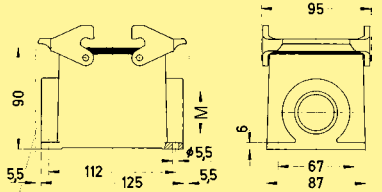

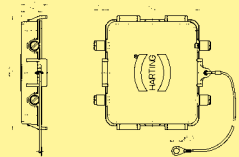


Metal hoods/housings for industrial applications / 2 lever locking system

Identification	Part number	Cable entry metric	Drawing	Dimensions in mm
<p>Hoods</p> <p>side entry</p> 	<p>19 30 032 0527</p> <p>19 30 032 0528</p> <p>19 30 032 0529</p>	<p>1 x 32</p> <p>1 x 40</p> <p>1 x 50</p>		
<p>Hoods</p> <p>top entry</p> 	<p>19 30 032 0427</p> <p>19 30 032 0428</p> <p>19 30 032 0429</p>	<p>1 x 32</p> <p>1 x 40</p> <p>1 x 50</p>		
<p>Protection covers</p>	<p>metal</p> <p>09 30 032 5420</p>			

Metal hoods/housings for industrial applications / 2 lever locking system

Identification	Part number	Cable entry metric	Drawing	Dimensions in mm
<p>Housings, bulkhead mounting</p> 	<p>09 30 032 0301</p>		 <p>Panel cut out</p>	
<p>Housings, surface mounting</p> <p>side entry</p> 	<p>19 30 032 0232</p> <p>19 30 032 0272</p> <p>19 30 032 0273</p>	<p>1 x 32</p> <p>2 x 32</p> <p>2 x 40</p>		
<p>Protection covers</p> 	<p>metal</p> <p>09 30 032 5425</p>			

Han Hoods Housings

* usable for two inserts of size 16 B
Stock items in bold type