
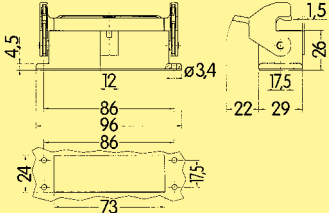

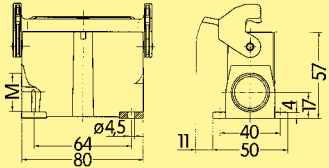

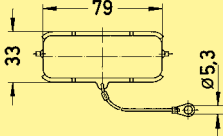


Metal hoods/housings for industrial applications / 1 lever locking system

Identification	Part number		Cable entry metric	Drawing	Dimensions in mm
	Low construction	High construction			
Housings, bulkhead mounting 	<b>09 20 016 0301</b> with thermo- plastic cover <b>09 20 016 0321</b>			 <p>Panel cut out</p>	
Housings, surface mounting side entry 	<b>19 20 016 0251<sup>1)</sup></b> <b>19 20 016 0290</b> <b>19 20 016 0291</b> with thermo- plastic cover 19 20 016 0295		1 x 25 2 x 20 2 x 25  2 x 20		
Protection covers 	metal <b>09 20 016 5425</b>				

Han Hoods  
Housings

<sup>1)</sup> only metal glands

Stock items in bold type