
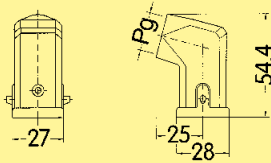

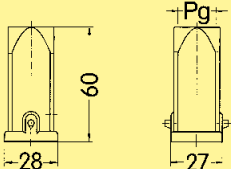

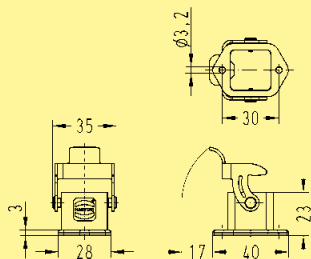

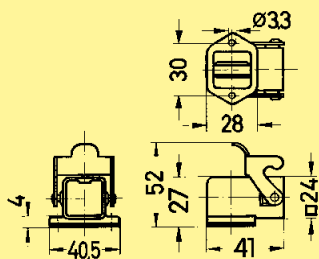

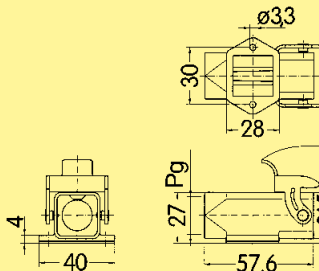
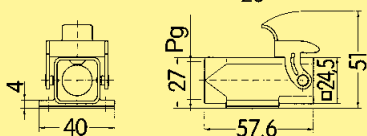


Hoods/Housings for higher EMC requirements / 1 lever locking system

| Identification | Part number | Pg | Drawing | Dimensions in mm |
|--|-----------------------|---------------|---|------------------|
| Hoods side entry  | 09 62 003 1640 | 1 x 11 |  | |
| Hoods top entry  | 09 62 003 1440 | 1 x 11 |  | |

Hoods/Housings for higher EMC requirements / 1 lever locking system

| Identification | Part number | Pg | Drawing | Dimensions in mm |
|--|--|---------------|---|------------------|
| Housings, bulkhead mounting  | 09 62 003 0301 | |  <p>Panel cut out 22 x 22 mm</p> | |
|  | 09 62 003 0801 | |  <p>Panel cut out 22 x 22 mm</p> | |
| Housings, surface mounting top entry  | 09 62 003 1250 | 1 x 11 |  <p>Panel cut out 22 x 22 mm</p> | |
| | bottom closed 09 62 003 1252 | 1 x 11 |  | |

Han Hoods
Housings