



Han® 3 A RJ45 10G connector, 8-poles, Cat. 6

Advantages

- RJ45 Ethernet-Data connector suitable for industry
- Tool-less field-assembly with HARAX® rapid termination in IDC technology
- Category of transmission Cat. 6
- Compact design and very robust housing
- Suitable for termination of solid and stranded cables
- PROFINET compatible
- Min. 500 mating cycles

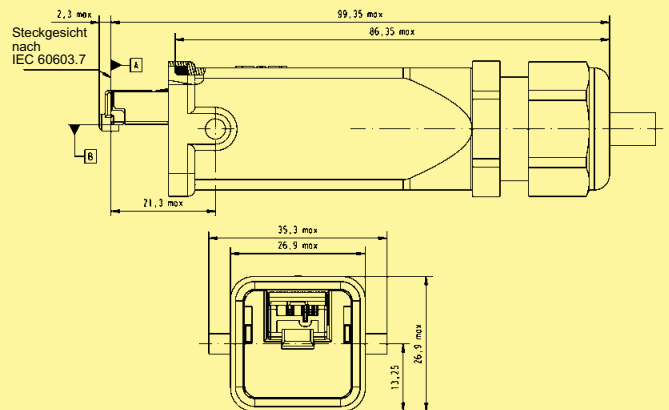
Technical characteristics

Connector type	Han® 3 A Connector RJ45 acc. to IEC 61076-3-106 variant 5
Number of contacts	8
Transmission performance	Category 6 / Class EA up to 500 MHz acc. to ISO/IEC 11 801:2002, EN 50 173-1
Transmission rate	10/100 Mbit/s / 1/10 Gbit/s
Shielding	fully shielded, 360° shielding contact
Cable termination	tool-less with IDC contacts
Conductor cross section	
stranded	AWG 27/7 - AWG 22/7
solid	AWG 24/1 - AWG 22/1
Conductor diameter	max. 1.6 mm
Cable outer diameter	6.5 mm – 9.5 mm
Degree of protection	IP 65 / IP 67
Temperature range	-40 °C ... +70 °C
Housing material	
Plastic version	Polycarbonate, UL 94 V-0, black
Metal versions	
Standard	Zinc die-cast, powder coating grey

Identification	Part No.	Drawing	Dimensions in mm
----------------	----------	---------	------------------

Han® 3 A RJ45 connector, 8-poles
incl. housing, cable gland
and instruction manual

Plastic version, black	straight	09 45 125 1560
Metal version Standard, grey	straight	09 45 115 1560
Han® 3 A RJ45 connector insert	straight	09 45 100 1560
can be combined with Han 3 A housing		
Coding pin set		09 45 820 0000



Dimensions valid for plastic version, straight