
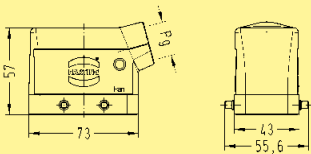

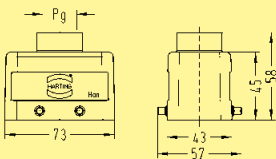

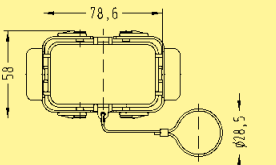

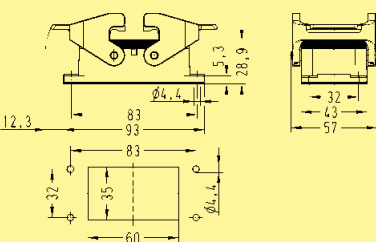

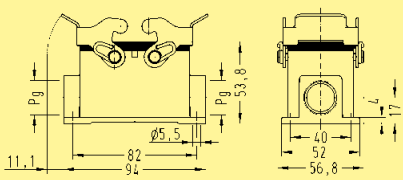

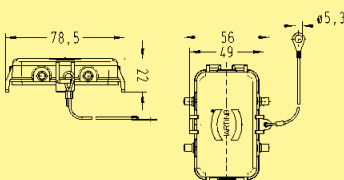


Hoods/Housings for higher environmental requirements / 2 lever locking system

Identification	Part number	Pg	Drawing	Dimensions in mm
Hoods side entry 	09 37 010 1521	1 x 16		
Hoods top entry 	09 37 010 1421	1 x 16		
Protection covers 	metal 09 37 010 5403			

Hoods/Housings for higher environmental requirements / 2 lever locking system

Identification	Part number	Pg	Drawing	Dimensions in mm
Housings, bulkhead mounting 	09 37 010 0301			
Housings, surface mounting side entry 	09 37 010 1271	2 x 16		
Protection covers 	metal 09 37 010 5405			

Han Hoods
Housings