



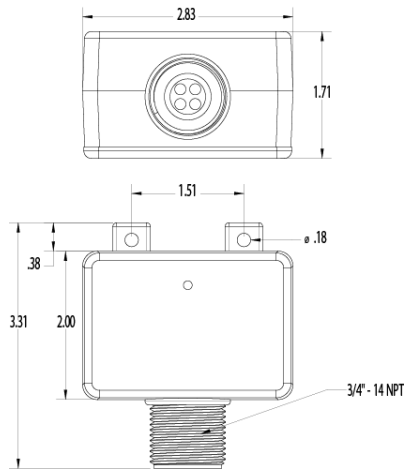
# DTK-HW Series

## Equipment Panel/Dedicated Circuit Surge Protective Device General Product Specifications

DITEK's HW series of surge protectors are designed and manufactured to meet the exacting standards of the life safety industry. These compact parallel mount surge protectors are widely used to protect fire alarm panels and other dedicated branch circuit loads.

### DTK-120HW    DTK-120/240HW Product Features

- Diagnostic LED indicates ground presence, system power and SPD function
- Weatherproof enclosure
- Small footprint enables installation in a variety of locations
- Available for popular 120V, and 120/240V systems
- Complies with ANSI/IEEE C62.41 and C62.45 Category B standards
- Ten Year Limited Warranty



### Specifications

- Agency Approvals:** UL 1449, 3<sup>rd</sup> Edition, cUL
- IEEE Location Category:** Category B
- Protector Type:** SPD Type 2
- Protection Modes:** L-G, L-N, N-G
- Response Time:** <1ns
- Temperature Range:** -40°F – 185°F (-40°C – 85°C)
- Maximum Humidity:** 95% non-condensing
- Operating Frequency:** 0Hz – 400Hz
- Dimensions:** 2.93" x 2.83" x 1.68"  
(74.4mm x 71.9mm x 42.7mm)
- Connection:** 3/4" diameter threaded fitting
- Weight:** .5lb. (227g)
- Housing:** ABS

Model Selection: DTK-	Service Wiring	Peak Surge Current	MCOV	UL 1449, 3 <sup>rd</sup> Ed. V.P.R.	Short Circuit Current Rating	UL1449, 3 <sup>rd</sup> Ed. I <sub>n</sub> Rating
<b>120HW</b>	Single $\Phi$ (2W + G), 120VAC	19,500A	130V	700V L-N, L-G; 600V N-G	10,000A	3,000A
<b>120/240HW</b>	Split $\Phi$ (3W + G), 120/240VAC	13,000A/ Phase 6,500A/ Mode	130/260V	700V L-N, L-G; 600V N-G; 1200V L-L	10,000A	3,000A