



DITEK Corporation  
ONE DITEK CENTER  
1720 Starkey Road  
Largo, FL 33771

# INSTALL INSTRUCTIONS

## DTK-MRJ Series

This Surge Protection Device (SPD) is a high performance device, designed to provide protection for sensitive electronic loads connected to service panels, fire panels, or where the SPD is directly connected to the electronic device. Maximum protection will only be achieved if the SPD is properly installed.

Please read and follow the installation instructions carefully.

**NOTICE:** This SPD should be installed by a qualified electrician in accordance with the National and Local Electrical Codes and the following instructions.

### APPLICATION

Surge suppression for installations using an RJ45 connector on series data circuits.

### INSTRUCTIONS:

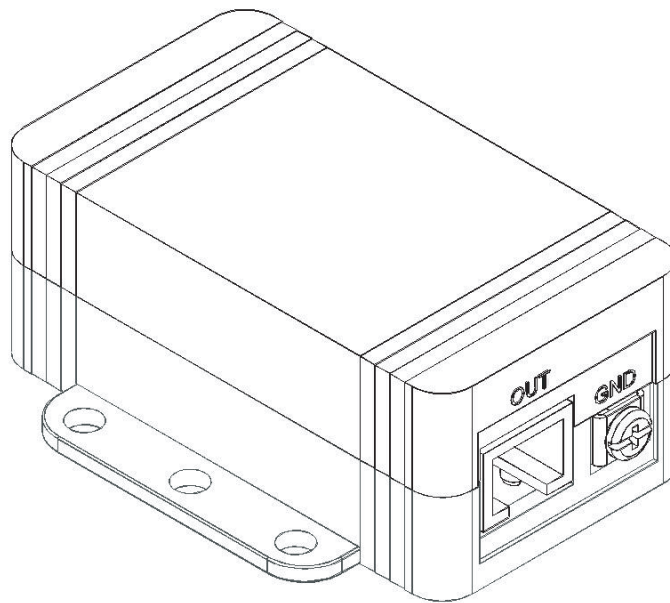
**Caution:** Measure all voltages to insure applied voltage does not exceed the voltage rating of the unit. Improper installation voids the warranty.

1. Turn off the power at the circuit breaker or main before beginning installation.
2. Using an RJ45 connector, connect the cable assembly to the "IN" side of the MRJ product.
3. Using an RJ45 connector, connect the equipment to the "OUT" side of the MRJ product.
4. Connect the ground lead to the ground terminal on the MRJ product..

**Ground Resistance Rule:** Max ground resistance is 25 ohms, 5 ohms or less is optimum.

This cannot be an assumed value and must be measured to assure proper grounding.

5. For mounting, use the double sided tape (supplied), or two #8 screws (not supplied).
5. After all connections have been made and no hazards exist, restore power.



INSTALLATION

DITEK Technical Support Available 24/7  
1-888-472-6100  
[www.ditekcorp.com](http://www.ditekcorp.com)

Doc # INT-100098-001  
Part No. 191506 Rev. 1

Drawn By: J.Ramirez 06-16-06  
Approved By: R.Mitchell 06-16-06