



DITEK Corporation  
ONE DITEK CENTER  
1720 Starkey Road  
Largo, FL 33771

# INSTALL INSTRUCTIONS

## DTK-LVLP SERIES

### LOW VOLTAGE LINE PROTECTION

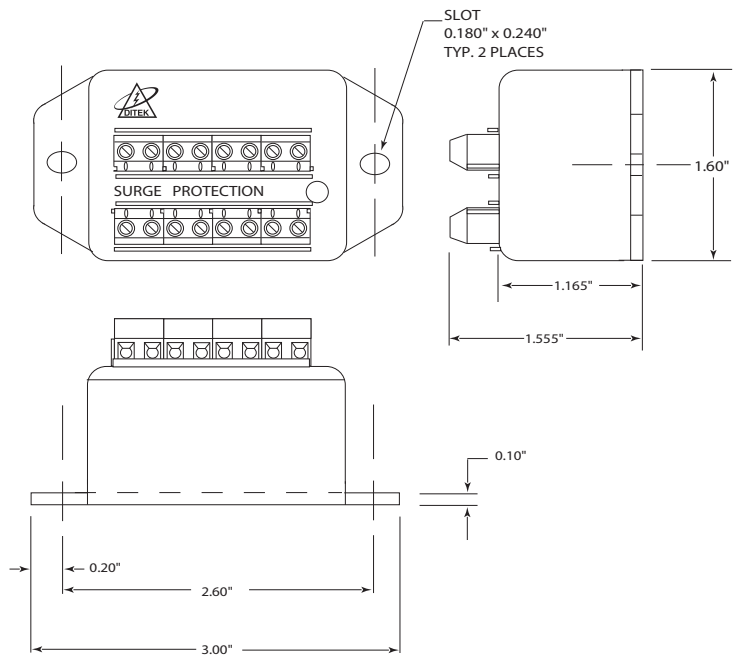
NOTE: This device is intended for indoor use on isolated loop circuits, data, or low voltage telecommunication circuits.

1. Before beginning installation, discontinue power to the circuit.
2. This device must be connected in series between the field wiring and the equipment to be protected.
3. Securely mount the base close to the circuit being protected using the double sided tape (supplied), or two #8 screws (not supplied).
4. Allow the surge protector reaction time by providing 3-5 wire feet of distance between the dtk- unit and the equipment to be protected.
5. Allow for the wire distance from the surge protector to protected equipment to be greater than the wire distance from the surge protector to ground.
6. Use one common ground per system to eliminate the possibility of a difference in ground potentials.
7. Connect side #1 "in" with the incoming field wires, and connect the opposite side of the terminal block to the equipment to be protected.
8. After all connections have been made and no hazards exist, restore power.
9. If you have any questions call technical support at: 1-888-472-6100.

INSTALLATION

<b>Side #1 "IN"</b> (SEE INSTRUCTIONS)	
MODEL DTK-	<input type="checkbox"/> 1LVLP <input type="checkbox"/> 2LVLP <input type="checkbox"/> 3LVLP <input type="checkbox"/> 4LVLP
SUFFIX	<input type="checkbox"/> D <input type="checkbox"/> X <input type="checkbox"/> LV <input type="checkbox"/> OPX <input type="checkbox"/> SPK <input type="checkbox"/> SGR <input type="checkbox"/> RUV
VRMS	<input type="checkbox"/> 6 <input type="checkbox"/> 14 <input type="checkbox"/> 30 <input type="checkbox"/> 50 <input type="checkbox"/> 75 <input type="checkbox"/> 95 <input type="checkbox"/> 130
LOW VOLTAGE SURGE PROTECTION	

<b>Side #1 "IN"</b> (SEE INSTRUCTIONS)	
MODEL DTK-	<input type="checkbox"/> 1LVLP-SCP <input type="checkbox"/> 2LVLP-SCP <input type="checkbox"/> 3LVLP-SCP <input type="checkbox"/> 4LVLP-SCP
SUFFIX	<input type="checkbox"/> D <input type="checkbox"/> X <input type="checkbox"/> LV <input type="checkbox"/> OPX <input type="checkbox"/> SPK <input type="checkbox"/> SGR <input type="checkbox"/> RUV
VRMS	<input type="checkbox"/> 6 <input type="checkbox"/> 14 <input type="checkbox"/> 30 <input type="checkbox"/> 50 <input type="checkbox"/> 75 <input type="checkbox"/> 95 <input type="checkbox"/> 130
LOW VOLTAGE SURGE PROTECTION	



MODEL	# WIRES PROTECTED	VOLTS RMS						
		130	95	75	50	30	14	6
DTK-1LVLP	2 WIRES							
DTK-2LVLP	4 WIRES	R	S	S	O	L	X	
DTK-3LVLP	6 WIRES	U	G	P	P	V		
DTK-4LVLP	8 WIRES	V	R	K	X		D	

**DITEK Technical Support Available 24/7**  
**1-888-472-6100**  
[www.ditekcorp.com](http://www.ditekcorp.com)

Doc # INT-100051-001  
Part No. 191505 Rev. 5