



## WT-SMA12-4-96

**Water Tower Rooftop Sector Frame, 12 ft face, four 2-3/8 in OD x 96 in plain end pipes included**

### Dimensions

---

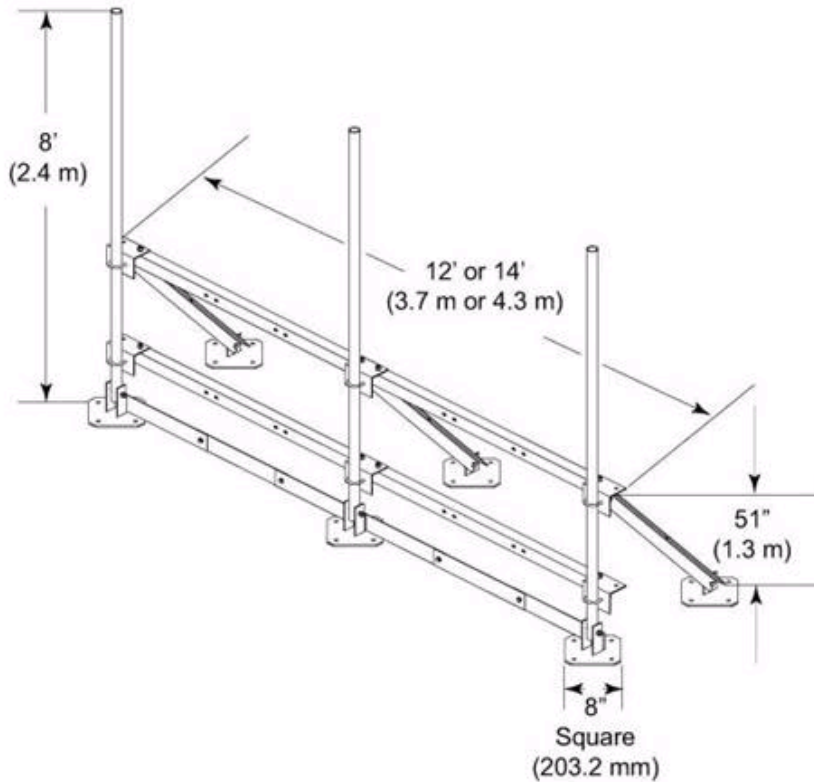
Face Width	3.8 m   12.5 ft
Pipe Outer Diameter	60.3 mm   2 3/8 in
Height	2438.4 mm   96.0 in
Length	1219.2 mm   48.0 in
Weight	227.8 kg   502.3 lb
Width	3810.0 mm   150.0 in

### General Specifications

---

Product Type	Rooftop sector frames
Pipe Length	2438.4 mm   96.0 in
Pipe, quantity	4
Includes	Mount   Plain end pipes, four
Material Type	Hot dip galvanized steel
Mounting	Weld-on feet
Package Quantity	1
Sectors, quantity	1

## Outline Drawing



## Regulatory Compliance/Certifications

**Agency**

ISO 9001:2008

**Classification**

Designed, manufactured and/or distributed under this quality management system