



MT-F504  
**Adjustable Splice**

## Dimensions

---

Width	355.6 mm   14.0 in
Height	76.2 mm   3.0 in
Length	431.8 mm   17.0 in
Weight	2.0 kg   4.4 lb

## General Specifications

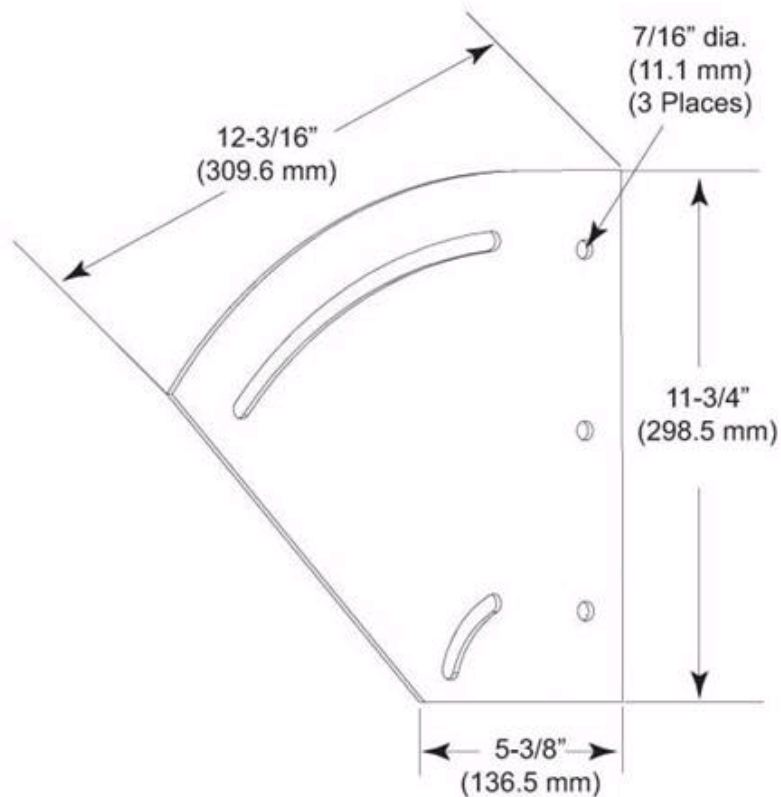
---

Product Type	Splices and splicing kits
Application	Waveguide bridge kit, 12 in
Includes	Hardware   Splices
Material Type	Hot dip galvanized steel
Mounting	Solid and grated waveguide bridge
Package Quantity	1

MT-F504



## Outline Drawing



## Regulatory Compliance/Certifications

**Agency**

ISO 9001:2008

**Classification**

Designed, manufactured and/or distributed under this quality management system