

EH4700 Series Enclosure

OUTDOOR, MEDIUM

Product Features

- Designed for Indoor/Outdoor Applications
- For Use with Fixed Mount or Pan/Tilt
- Die-Cast and Extruded Aluminum Construction
- Gas-Spring-Assisted, Forward-Opening Lid
- Cable Entry Glands and Mounting Holes Located on Bottom of Enclosure
- Special Options Include 120 VAC Outlet and Preset Lens Wiring Harness



EH4718



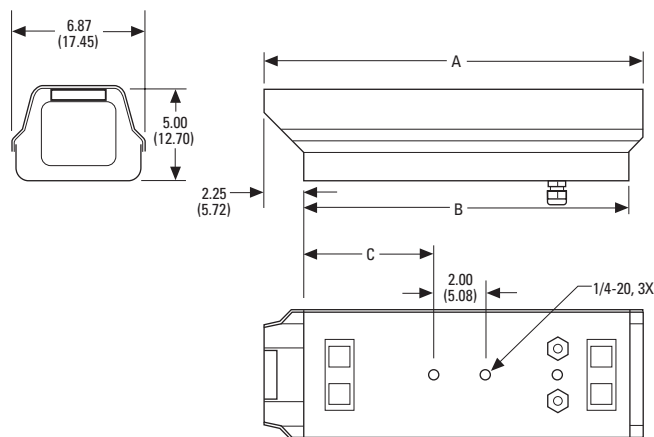
ENCLOSURE WITH SUN SHROUD

The **EH4700 Series** are indoor/outdoor enclosures constructed from die-cast and extruded aluminum. Available in an 18-inch (45.72 cm) length (**EH4718**) and 22-inch (55.88 cm) length (**EH4722**), these enclosures are designed to accept larger format cameras with either fixed focal length lenses or motorized zoom lenses. The camera sled is removable and can be inverted to accommodate various camera and lens combinations.

The enclosure opens from the rear by unlatching the rear-mount, link-lock latch. The forward-opening lid allows for maximum accessibility during installation/servicing and can be removed, if necessary. A unique gas spring securely holds the lid when fully opened. If desired, the link-lock latch can be secured with a padlock of suitable size for additional security.

The **EH4700 Series** is available with a full complement of factory- and field-installed accessories which include blower, heater, window defroster, sun shroud, thermal insulation, 120 VAC electrical outlet, and preset position lens wiring harness.

The **EH4700 Series** can be used in fixed mount applications or mounted to a medium duty pan/tilt, such as our PT570 Series.



	DIM.	MODEL
A	21.2 (53.84)	EH4718
	25.2 (64.00)	EH4722
B	18.3 (46.48)	EH4718
	22.3 (56.64)	EH4722
C	7.00 (17.78)	EH4718
	9.00 (22.86)	EH4722

NOTE: VALUES IN PARENTHESES ARE CENTIMETERS; ALL OTHERS ARE INCHES.

TECHNICAL SPECIFICATIONS

MODELS

Model Number	Basic Enclosure	120 VAC	24 VAC	230 VAC	Heater	Defroster	Blower	Max. Power Consumption
EH4718	•							
EH4718-1		•			•		•	68 W
EH4718-2			•		•		•	58 W
EH4718-3				•	•		•	63 W
EH4722	•							
EH4722-1		•			•		•	68 W
EH4722-2			•		•		•	58 W
EH4722-3				•	•		•	63 W

Note: If the optional defroster is used, add 15 W to the maximum power consumption.

MECHANICAL

Cable Entry	Two PG13.5 compression glands on bottom; 0.47-inch (1.19 cm) maximum cable diameter
Cable Entry Holes	0.875-inch (2.22 cm) diameter; will accept 0.5-inch (1.27 cm) conduit fitting when compression gland is removed
Camera Mounting	Removable camera sled; can be inverted
Rear Latch	Link-lock, No. 3, stainless steel; can be secured with padlock (not supplied)

ELECTRICAL

Input Voltage	24 VAC, 120 VAC or 230 VAC, 50/60Hz.
Electrical Connection	Connectors for power input, lens, camera, and accessories (-1/-2/-3 models only).
<i>(-1/-2/-3 models only)</i>	Heater/defroster activates on at 42° to 58°F (6° to 14°C) and off at 72° to 88°F (22° to 31°C). Blower activates on at 77° to 93°F (25° to 34°C) and off at 62° to 78°F (17° to 26°C).

GENERAL

Maximum Camera and Lens Size	Accepts camera and lens combinations* (including BNC connector) up to:	
EH4718	17.00" L x 5.50" W x 4.25" H (43.18 x 13.97 x 10.795 cm)	
EH4718-1/-2/-3	13.00" L x 4.75" W x 4.25" H (33.02 x 12.07 x 10.795 cm)	
EH4722	21.00" L x 5.50" W x 4.25" H (53.34 x 13.97 x 10.795 cm)	
EH4722-1/-2/-3	17.00" L x 4.75" W x 4.25" H (43.18 x 12.07 x 10.795 cm)	
Viewing Window	0.25-inch (6.35 mm) thick Lexan®	
Viewing Window Area	3.50" H x 4.00" W (8.89 x 10.16 cm)	
Construction	Die-cast, extruded, and sheet aluminum	
Finish	Gray polyester powder coat	
Environment	Indoor/outdoor; -10° to 120°F (-23° to 49°C)	
Weight	Unit	Shipping
EH4718	7.25 lb (3.28 kg)	9 lb (4.07 kg)
EH4718-1/-2/-3	8.50 lb (3.85 kg)	10 lb (4.53 kg)
EH4722	8.50 lb (3.85 kg)	10 lb (4.53 kg)
EH4722-1/-2/-3	9.75 lb (4.42 kg)	12 lb (5.44 kg)

CERTIFICATIONS/RATINGS

- CE (EH4718-3 and EH4722-3)
- UL Listed (except 230 VAC models)
- C-Tick
- Meets NEMA Type 3R standards

OPTIONAL ACCESSORIES

Blower Kit	BK47-1 [†]	120 VAC, 8 W
	BK47-2 [†]	24 VAC, 8 W
	BK47-3 [†]	230 VAC, 8 W
Heater Kit	HK47-1 [†]	120 VAC, 60 W
	HK47-2 [†]	24 VAC, 50 W
	HK47-3 [†]	230 VAC, 55 W
Defroster	WD47-1 [†]	Window defroster, 120 VAC, 15 W
	WD47-2 [†]	Window defroster, 24 VAC, 15 W
	WD47-3 [†]	Window defroster, 230 VAC, 15 W
Sun Shroud	SS4718	Sun shroud for EH4718 Series enclosures
	SS4722	Sun shroud for EH4722 Series enclosures
Other	O/I-PCB	Accessory interface board; thermostatically controls heater, blower, and defroster operation (one per enclosure required)
	O/I-LPP [†]	Preset position lens wiring harness
	O/I-OUTLET [†]	120 VAC electrical convenience outlet
	T147	Thermal insulation

RECOMMENDED MOUNTS

Pedestal	EM1009U,	Medium duty pedestal mount; maximum load 40 lb (18.14 kg)
	EM1015U	
	MM22	Medium duty pedestal mount; maximum load 40 lb (18.14 kg)
Wall	PM2000/	Pedestal mounts; maximum load 125 lb (56.63 kg)
	PM2010 [†]	
	EM1900U	Medium duty wall mount; maximum load 40 lb (18.14 kg)
	EM22	Medium duty wall mount; maximum load 40 lb (18.14 kg)
Pipe/Pole	WM2000 [†]	Universal wall mount; maximum load 75 lb (33.97 kg)
	EM1109	Medium duty pedestal mount for pipe/pole; maximum load 40 lb (18.14 kg)
Adapter	EM2000,	Medium duty mount for pipe/pole applications; maximum load 40 lb (18.14 kg)
	EM2200	
Adapter	AH1000	Manually adjustable pan/tilt head

RECOMMENDED PAN/TILT

PT570 Series	Medium duty pan/tilt, 120 or 24 VAC; maximum load 40 lb (18.14 kg)
--------------	--

*Assumes lens is fully extended.

[†]These accessories are factory wired with a plug-in connector for use with the O/I-PCB. The O/I-PCB is included with all -1/-2/-3 models. You must order one O/I-PCB if you are using a basic enclosure (EH4718 or EH4722) with these optional accessories.

[‡]Use with AH1000 adjustable head.

Pelco by Schneider Electric

3500 Pelco Way, Clovis, California 93612-5699 United States

USA & Canada Tel (800) 289-9100 Fax (800) 289-9150

International Tel +1 (559) 292-1981 Fax +1 (559) 348-1120

www.pelco.com

Pelco, the Pelco logo, and other trademarks associated with Pelco products referred to in this publication are trademarks of Pelco, Inc. or its affiliates. All other product names and services are the property of their respective companies. Product specifications and availability are subject to change without notice.

©Copyright 2011, Pelco, Inc. All rights reserved.