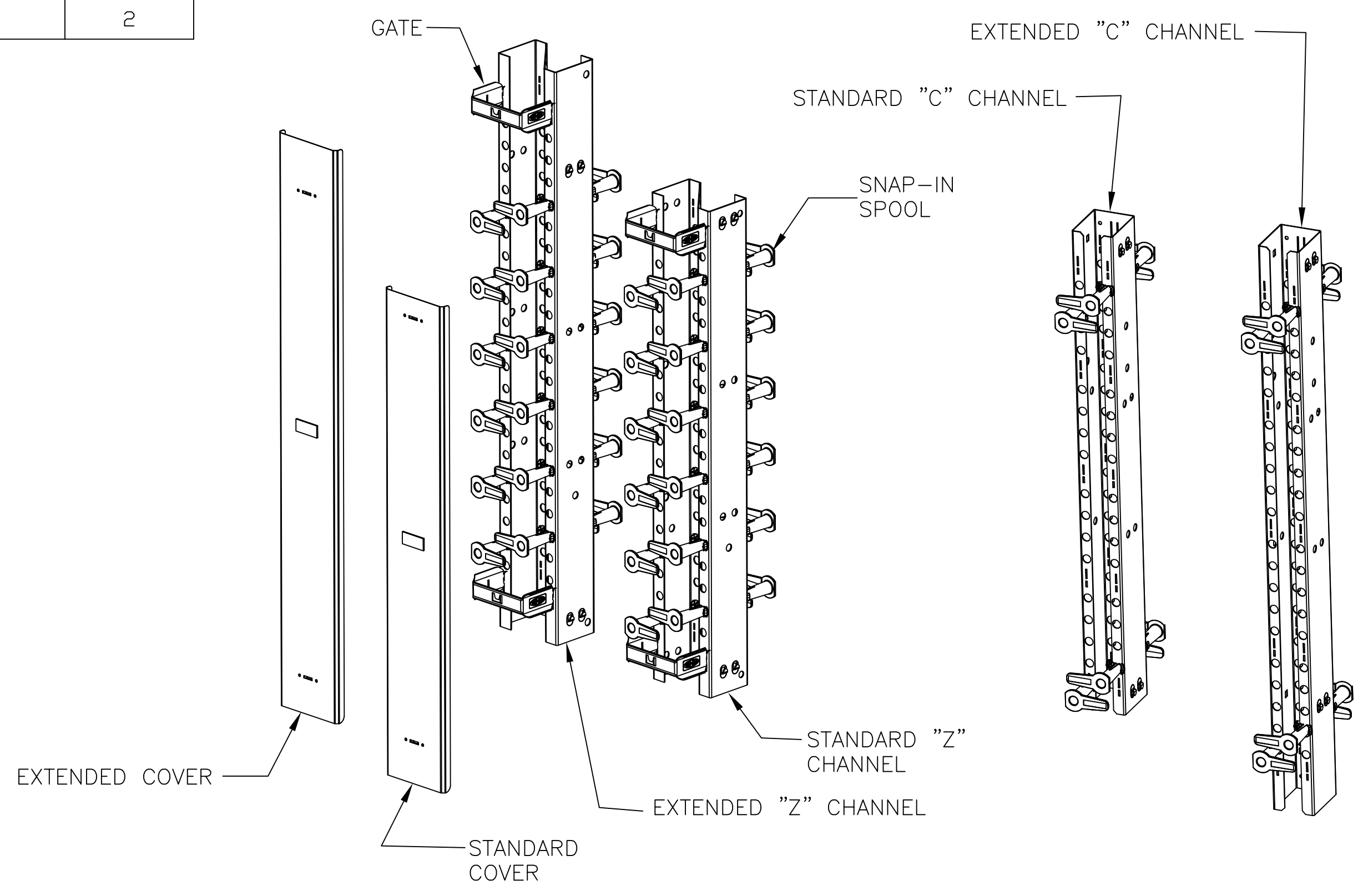
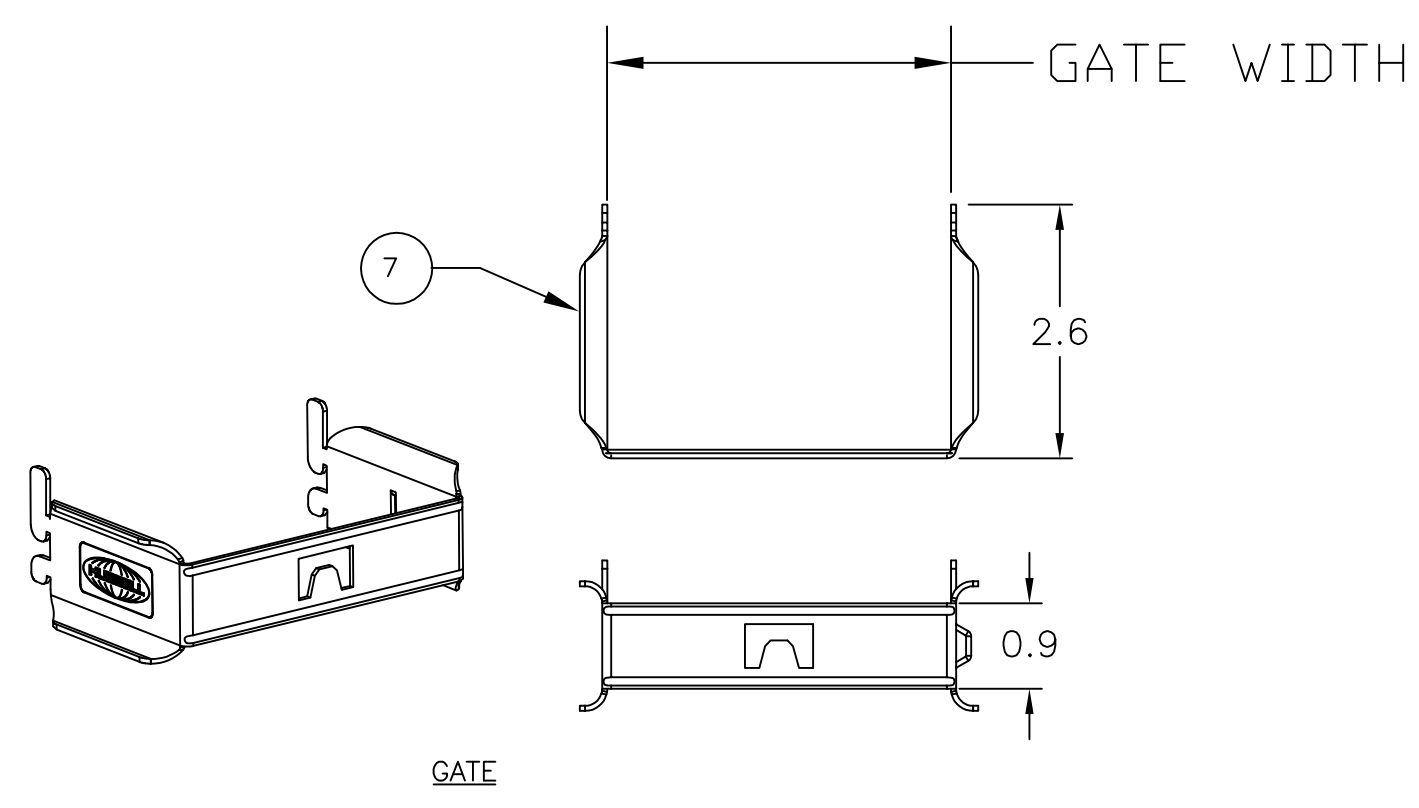
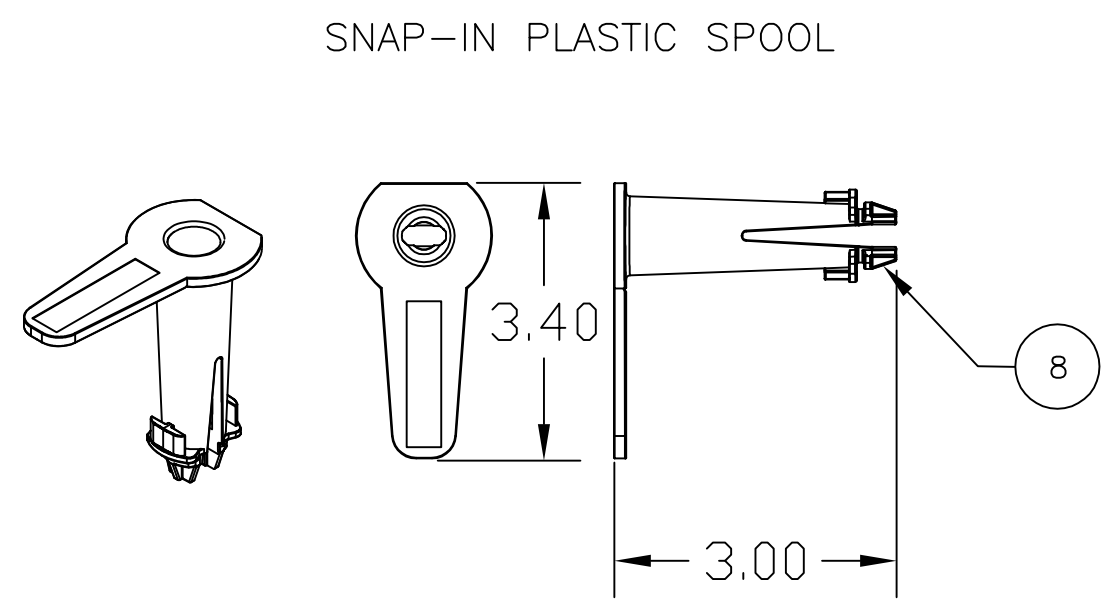
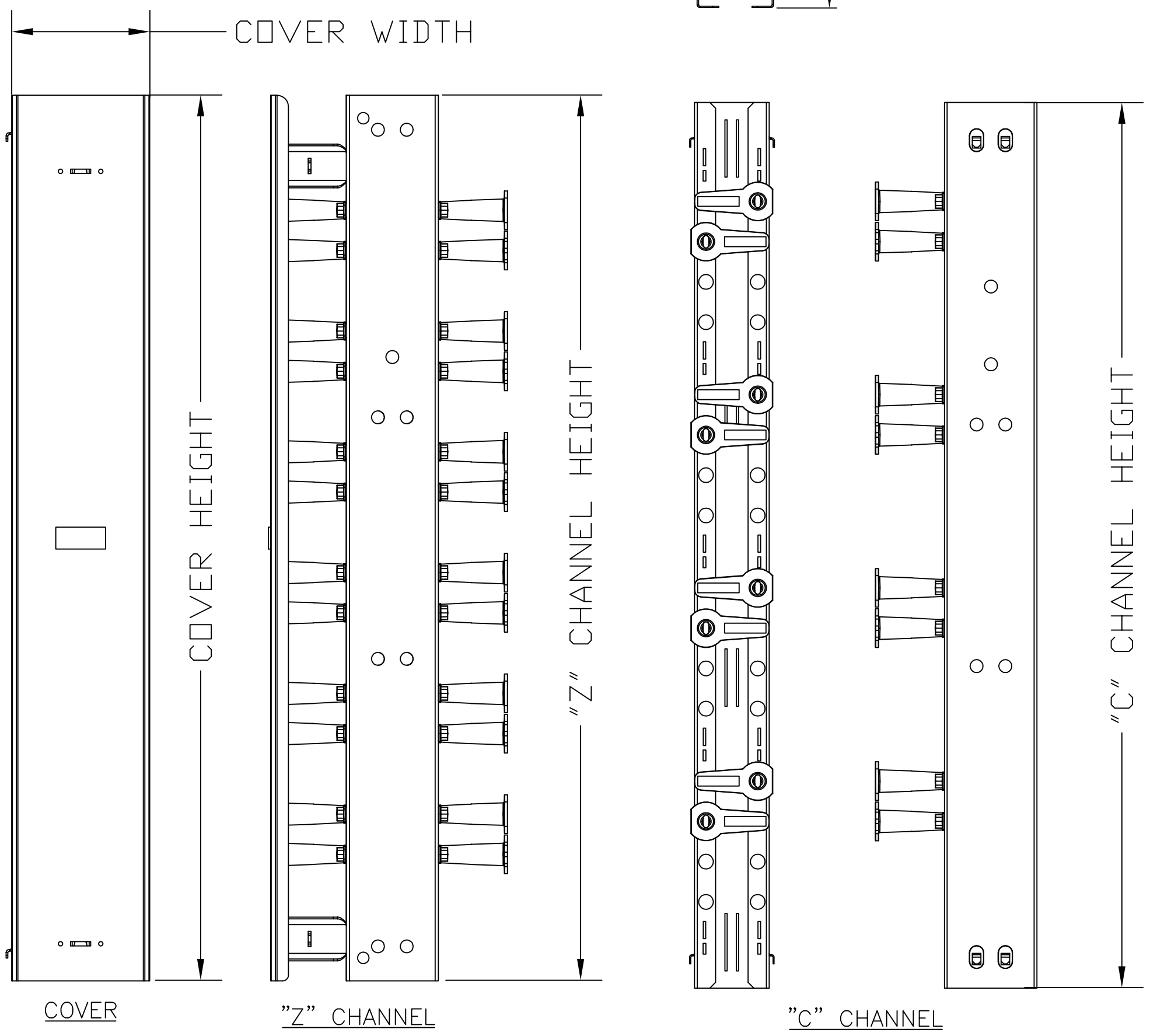
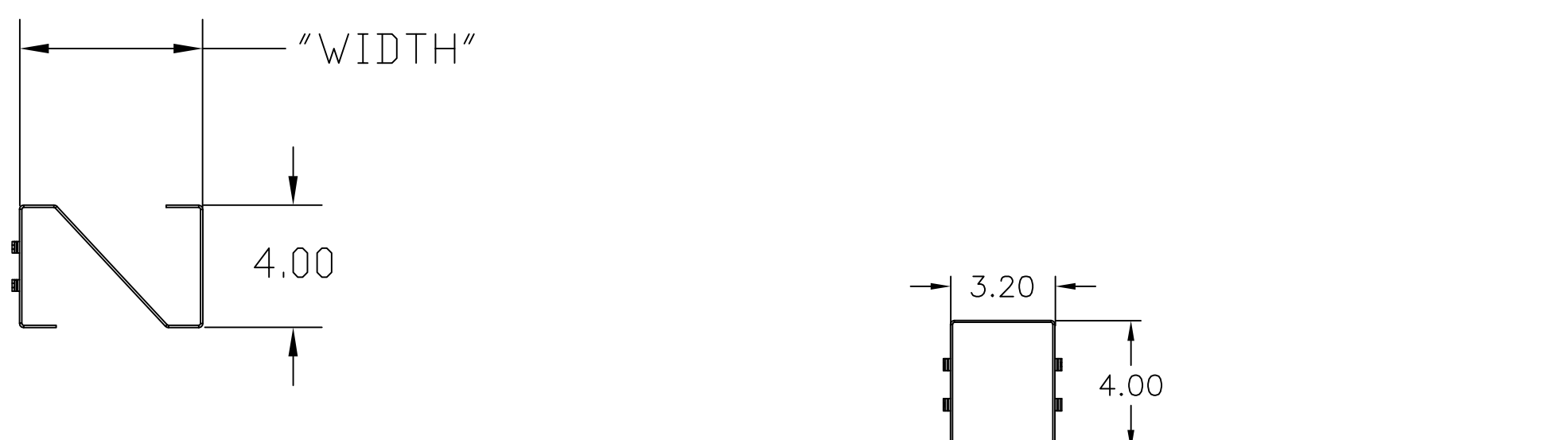


CATALOG NUMBER	DESCRIPTION	SURFACE FINISH	STANDARD "Z" CHANNEL	EXTENDED "Z" CHANNEL	STANDARD "C" CHANNEL	EXTENDED "C" CHANNEL	STANDARD COVER	EXTENDED COVER	GATE (QTY)	SNAP-IN SPOOL (QTY)	HARDWARE PACK QTY "N"
VS86	8FT H W/ 6" Z CHANNELS, W/COVERS & SPOOLS	BLACK	1	1	N/A	N/A	1	1	4	24	4
VS86A	8FT H W/ 6" Z CHANNELS, W/COVERS & SPOOLS	ALUMINUM	1	1	N/A	N/A	1	1	4	24	4
VS83	8FT H W/ 3" C CHANNELS, "NO" COVERS & SPOOLS	BLACK	N/A	N/A	1	1	N/A	N/A	N/A	24	4
VS83A	8FT H W/ 3" C CHANNELS, "NO" COVERS & SPOOLS	ALUMINUM	N/A	N/A	1	1	N/A	N/A	N/A	24	4
VS76	7FT H W/ 6" Z CHANNELS, W/COVERS & SPOOLS	BLACK	2	N/A	N/A	N/A	2	N/A	4	24	4
VS76A	7FT H W/ 6" Z CHANNELS, W/COVERS & SPOOLS	ALUMINUM	2	N/A	N/A	N/A	2	N/A	4	24	4
VS74	7FT H W/ 4" Z CHANNELS, "NO" COVERS & SPOOLS	BLACK	2	N/A	N/A	N/A	N/A	N/A	N/A	24	4
VS73	7FT H W/ 3" C CHANNELS, "NO" COVERS & SPOOLS	BLACK	N/A	N/A	2	N/A	N/A	N/A	N/A	24	4
VS73A	7FT H W/ 3" C CHANNELS, "NO" COVERS & SPOOLS	ALUMINUM	N/A	N/A	2	N/A	N/A	N/A	N/A	24	4
VS46	4FT H W/ 6" Z CHANNELS, "NO" COVERS & SPOOLS	BLACK	1	N/A	N/A	N/A	N/A	N/A	N/A	16	2
VS46A	4FT H W/ 6" Z CHANNELS, "NO" COVERS & SPOOLS	ALUMINUM	1	N/A	N/A	N/A	N/A	N/A	N/A	16	2
VS44	4FT H W/ 4" Z CHANNELS, "NO" COVERS & SPOOLS	BLACK	1	N/A	N/A	N/A	N/A	N/A	N/A	16	2
VS44A	4FT H W/ 4" Z CHANNELS, "NO" COVERS & SPOOLS	ALUMINUM	1	N/A	N/A	N/A	N/A	N/A	N/A	16	2
VS43	4FT H W/ 3" C CHANNELS, "NO" COVERS & SPOOLS	BLACK	N/A	N/A	1	N/A	N/A	N/A	N/A	16	2
VS43A	4FT H W/ 3" C CHANNELS, "NO" COVERS & SPOOLS	ALUMINUM	N/A	N/A	1	N/A	N/A	N/A	N/A	16	2

DESCRIPTION	CHANNEL WIDTH	CHANNEL HEIGHT	COVER WIDTH	COVER HEIGHT	GATE WIDTH
6" STANDARD "Z" CHANNEL	6.00	38.50	N/A	N/A	N/A
6" EXTENDED "Z" CHANNEL	6.00	45.38			
4" STANDARD "Z" CHANNEL	4.50	38.50			
4" EXTENDED "Z" CHANNEL	4.50	45.38			
3" STANDARD "C" CHANNEL	3.20	38.50			
3" EXTENDED "C" CHANNEL	3.20	45.38			
6" STANDARD COVER	N/A	N/A	6.00	38.50	N/A
6" EXTENDED COVER			6.00	45.38	
4" STANDARD COVER			4.50	38.50	
4" EXTENDED COVER			4.50	45.38	
3" STANDARD COVER			3.20	38.50	
3" EXTENDED COVER			3.20	45.38	
6" GATE	N/A	N/A	N/A	N/A	5.00
4" GATE					3.50
3" GATE					2.30

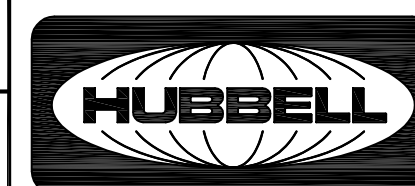


NOTE:

- SURFACE FINISH: POWDER COAT, FOR COLOR SEE TABULATION.
- UL 1863 LISTED
- EACH UNIT INCLUDES A HARDWARE PACK: (SEE TABULATION FOR QTY)

(N) 1/2-13 X 1" HEX HEAD BOLT
(N) 1/2-13 HEX NUT
(N) 1/2- LOCK WASHER

REV.	ECN	DATE	DESCRIPTION	CHG BY	APPD BY
A	5523	05/30/06	INITIAL RELEASE	NJR	

Created on AUTOCAD	DIMENSIONING AND TOLERANCE PER ANSI Y14.5M-1982 UNLESS OTHERWISE SPECIFIED, DIMENSIONS ARE IN INCHES (MM). TOLERANCES .X = ±.03 (.8) .XX = ±.02 (.4) .XXX = ±.010 (.25) ANGLE TOL ±1°		PROJECT REFERENCE:		 Hubbell Premise Wiring HUBBELL INCORPORATED (Delaware) 14 Lord's Hill Road, Stonington, Connecticut 06378
	IN ACCEPTING OUR DRAWINGS, BLUEPRINTS, OR SUPPORTING DOCUMENTATION FOR QUOTATION OR OTHER PURPOSES, YOU AGREE NOT TO DISCLOSE TO OTHERS THE IDEAS, INFORMATION, OR DESIGNS SHOWN HEREIN, AND THAT YOU WILL MAKE NO USE OF SAME WITHOUT PERMISSION		MATERIAL:		
			DRAWN BY: N. RICHARDS 05/30/06		
			CHECKED BY:		
		APPROVED BY:		TITLE: VERTICAL CABLE ORGANIZER FOR RELAY RACKS	
		SIZE: D		DRAWING NO. HWS12162C	
		SCALE: N/A		SHEET 1 OF 1	
				REV. A	