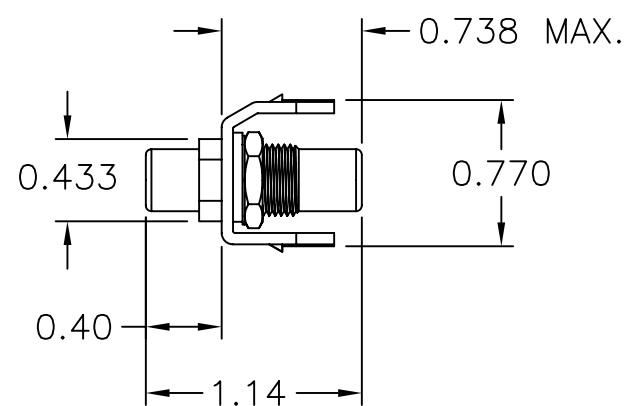
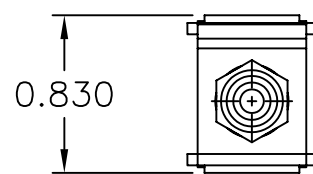
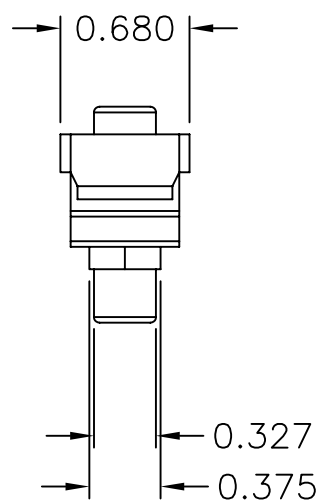
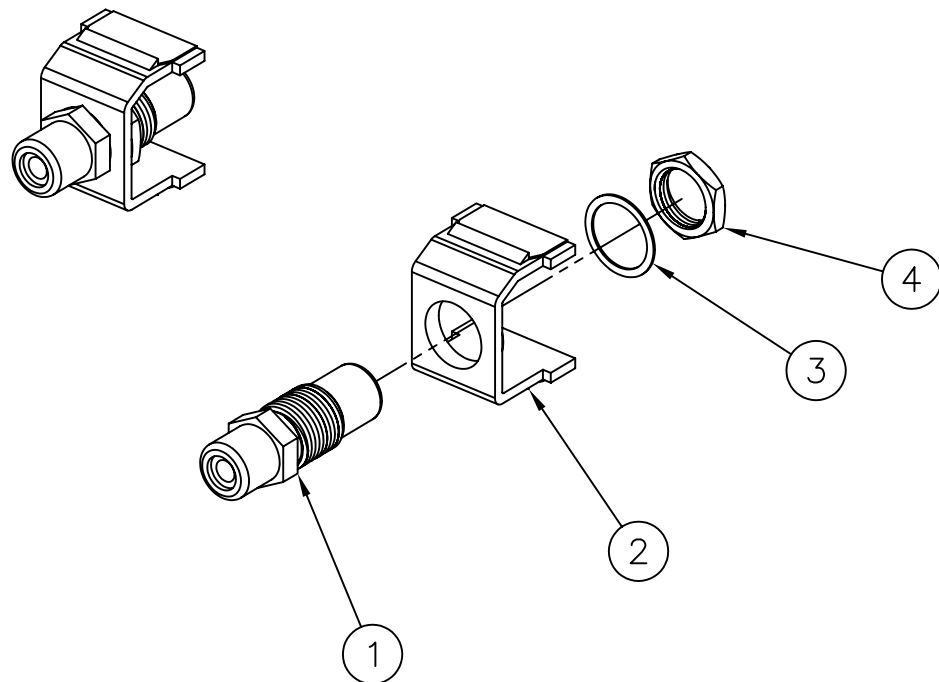


| ITEM NO. | DESCRIPTION | QTY. |
|----------|------------------------------|------|
| 1 | GOLD RCA FEED THRU CONNECTOR | 1 |
| 2 | SNAP FIT MODULE | 1 |
| 3 | GOLD WASHER | 1 |
| 4 | GOLD NUT | 1 |




| CATALOG NUMBER | SNAP HOUSING COLOR | INSULATOR COLOR | DESCRIPTION |
|----------------|--------------------|-----------------|------------------------------|
| SFRCRFF | OFFICE WHITE | RED | GOLD RCA FEED THRU CONNECTOR |
| SFRCWFF | OFFICE WHITE | WHITE | GOLD RCA FEED THRU CONNECTOR |
| SFRCYFF | OFFICE WHITE | YELLOW | GOLD RCA FEED THRU CONNECTOR |
| SFRCBKFF | OFFICE WHITE | BLACK | GOLD RCA FEED THRU CONNECTOR |
| SFRCBFFOW | OFFICE WHITE | BLUE | GOLD RCA FEED THRU CONNECTOR |
| SFRCGNFFOW | OFFICE WHITE | GREEN | GOLD RCA FEED THRU CONNECTOR |
| SFRCRFFW | WHITE | RED | GOLD RCA FEED THRU CONNECTOR |
| SFRCWFFW | WHITE | WHITE | GOLD RCA FEED THRU CONNECTOR |
| SFRCYFFW | WHITE | YELLOW | GOLD RCA FEED THRU CONNECTOR |
| SFRCBKFFW | WHITE | BLACK | GOLD RCA FEED THRU CONNECTOR |
| SFRCBFFW | WHITE | BLUE | GOLD RCA FEED THRU CONNECTOR |
| SFRCGNFFW | WHITE | GREEN | GOLD RCA FEED THRU CONNECTOR |
| SFRCRFFBK | BLACK | RED | GOLD RCA FEED THRU CONNECTOR |
| SFRCWFFBK | BLACK | WHITE | GOLD RCA FEED THRU CONNECTOR |
| SFRCYFFBK | BLACK | YELLOW | GOLD RCA FEED THRU CONNECTOR |
| SFRCBKFFBK | BLACK | BLACK | GOLD RCA FEED THRU CONNECTOR |
| SFRCBFFBK | BLACK | BLUE | GOLD RCA FEED THRU CONNECTOR |
| SFRCGNFFBK | BLACK | GREEN | GOLD RCA FEED THRU CONNECTOR |
| SFRCRFFGY | GRAY | RED | GOLD RCA FEED THRU CONNECTOR |
| SFRCWFFGY | GRAY | WHITE | GOLD RCA FEED THRU CONNECTOR |
| SFRCYFFGY | GRAY | YELLOW | GOLD RCA FEED THRU CONNECTOR |
| SFRCBKFFGY | GRAY | BLACK | GOLD RCA FEED THRU CONNECTOR |
| SFRCBFFGY | GRAY | BLUE | GOLD RCA FEED THRU CONNECTOR |
| SFRCGNFFGY | GRAY | GREEN | GOLD RCA FEED THRU CONNECTOR |
| SFRCRFFTI | TELCO IVORY | RED | GOLD RCA FEED THRU CONNECTOR |
| SFRCWFFTI | TELCO IVORY | WHITE | GOLD RCA FEED THRU CONNECTOR |
| SFRCYFFTI | TELCO IVORY | YELLOW | GOLD RCA FEED THRU CONNECTOR |
| SFRCBKFFTI | TELCO IVORY | BLACK | GOLD RCA FEED THRU CONNECTOR |
| SFRCBFFTI | TELCO IVORY | BLUE | GOLD RCA FEED THRU CONNECTOR |
| SFRCGNFFTI | TELCO IVORY | GREEN | GOLD RCA FEED THRU CONNECTOR |
| SFRCRFFEI | ELECTRIC IVORY | RED | GOLD RCA FEED THRU CONNECTOR |
| SFRCWFFEI | ELECTRIC IVORY | WHITE | GOLD RCA FEED THRU CONNECTOR |
| SFRCYFFEI | ELECTRIC IVORY | YELLOW | GOLD RCA FEED THRU CONNECTOR |
| SFRCBKFFEI | ELECTRIC IVORY | BLACK | GOLD RCA FEED THRU CONNECTOR |
| SFRCBFFEI | ELECTRIC IVORY | BLUE | GOLD RCA FEED THRU CONNECTOR |
| SFRCGNFFEI | ELECTRIC IVORY | GREEN | GOLD RCA FEED THRU CONNECTOR |
| SFRCBKFFLA | LIGHT ALMOND | BLACK | GOLD RCA FEED THRU CONNECTOR |
| SFRCRFFLA | LIGHT ALMOND | RED | GOLD RCA FEED THRU CONNECTOR |
| SFRCWFFLA | LIGHT ALMOND | WHITE | GOLD RCA FEED THRU CONNECTOR |
| SFRCYFFLA | LIGHT ALMOND | YELLOW | GOLD RCA FEED THRU CONNECTOR |
| SFRCBFFLA | LIGHT ALMOND | BLUE | GOLD RCA FEED THRU CONNECTOR |
| SFRCGNFFLA | LIGHT ALMOND | GREEN | GOLD RCA FEED THRU CONNECTOR |

NOTES

UNLESS OTHERWISE SPECIFIED:

1. SOLD IN CARTON INCREMENTS ONLY. CARTON CONTAINS 25 MODULES (INDIVIDUALLY BAGGED).
2. FEED THRU TYPE RCA CONNECTOR
4. SPECIFICATIONS SUBJECT TO CHANGE WITHOUT NOTICE.

| REV. | ECN | DATE | DESCRIPTION | CHG BY | APPD BY |
|------|------|---------|-------------------------------------|--------|---------|
| C | 5886 | 6/7/06 | ADDED LIGHT ALMOND NUMBERS TO TABLE | DPD | |
| B | 5171 | 10/6/03 | ADDED CATALOG NUMBERS TO TABULATION | CG | GK |

| | | | | | |
|--------------------|---|--|--|----------------------------|--|
| Created on AUTOCAD | DIMENSIONING AND TOLERANCE PER ANSI Y14.5M-1982 UNLESS OTHERWISE SPECIFIED, DIMENSIONS ARE IN INCHES (MM). TOLERANCES .XX = ±.01 (.25) .XXX = ±.005 (.127) .XXXX = ±.0025 (.0635) ANGLE TOL ±1° | | PROJECT REFERENCE: MATERIAL: | |  Hubbell Premise Wiring HUBBELL INCORPORATED (Delaware) 14 Lord's Hill Road, Stonington, Connecticut 06378 |
| | IN ACCEPTING OUR DRAWINGS, BLUEPRINTS, OR SUPPORTING DOCUMENTATION FOR QUOTATION OR OTHER PURPOSES, YOU AGREE NOT TO DISCLOSE TO OTHERS THE IDEAS, INFORMATION, OR DESIGNS SHOWN HEREIN, AND THAT YOU WILL MAKE NO USE OF SAME WITHOUT PERMISSION | | DRAWN BY: PAUL S. MAGUIRE 11/18/02 CHECKED BY: GLENN KIERSTEAD 11/22/02 APPROVED BY: GLENN KIERSTEAD 11/22/02 | | |
| | | | SIZE: C | DRAWING NO.: C11745 | REV.: C |
| | | | SCALE: 1/1 | SHEET 1 OF 1 | |