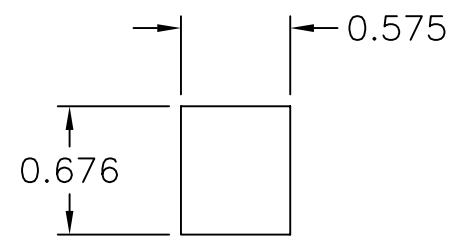
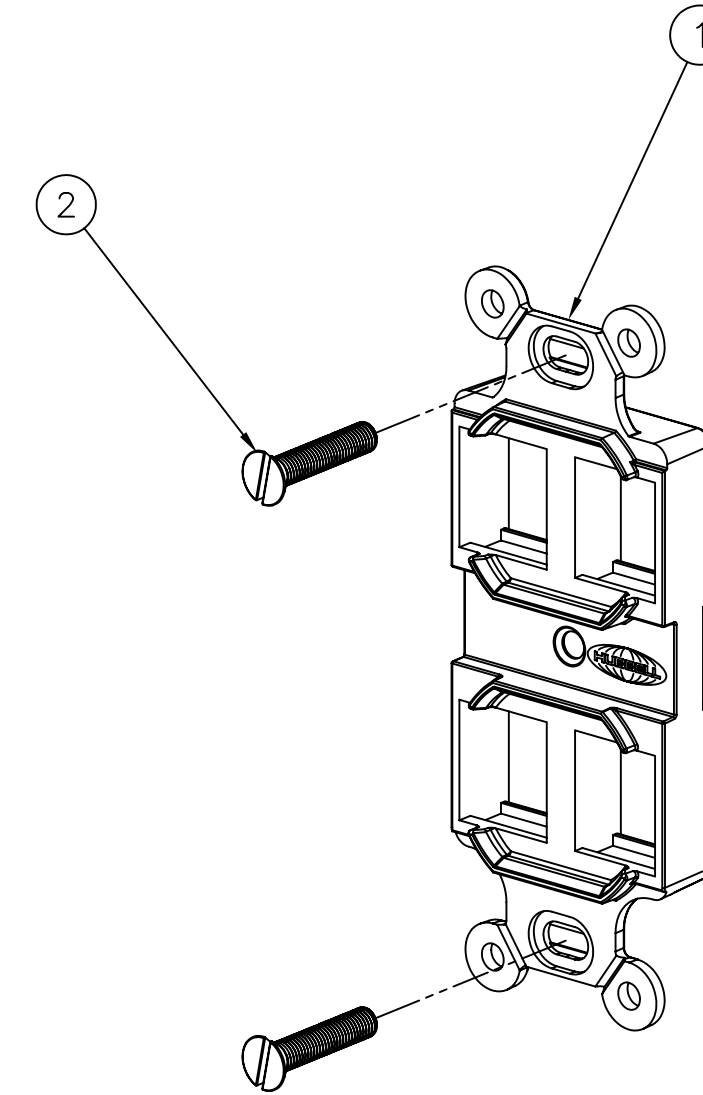
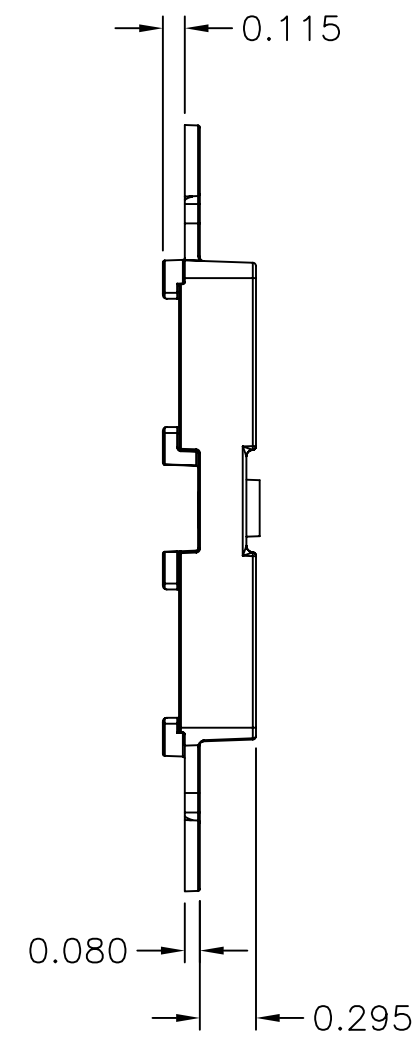
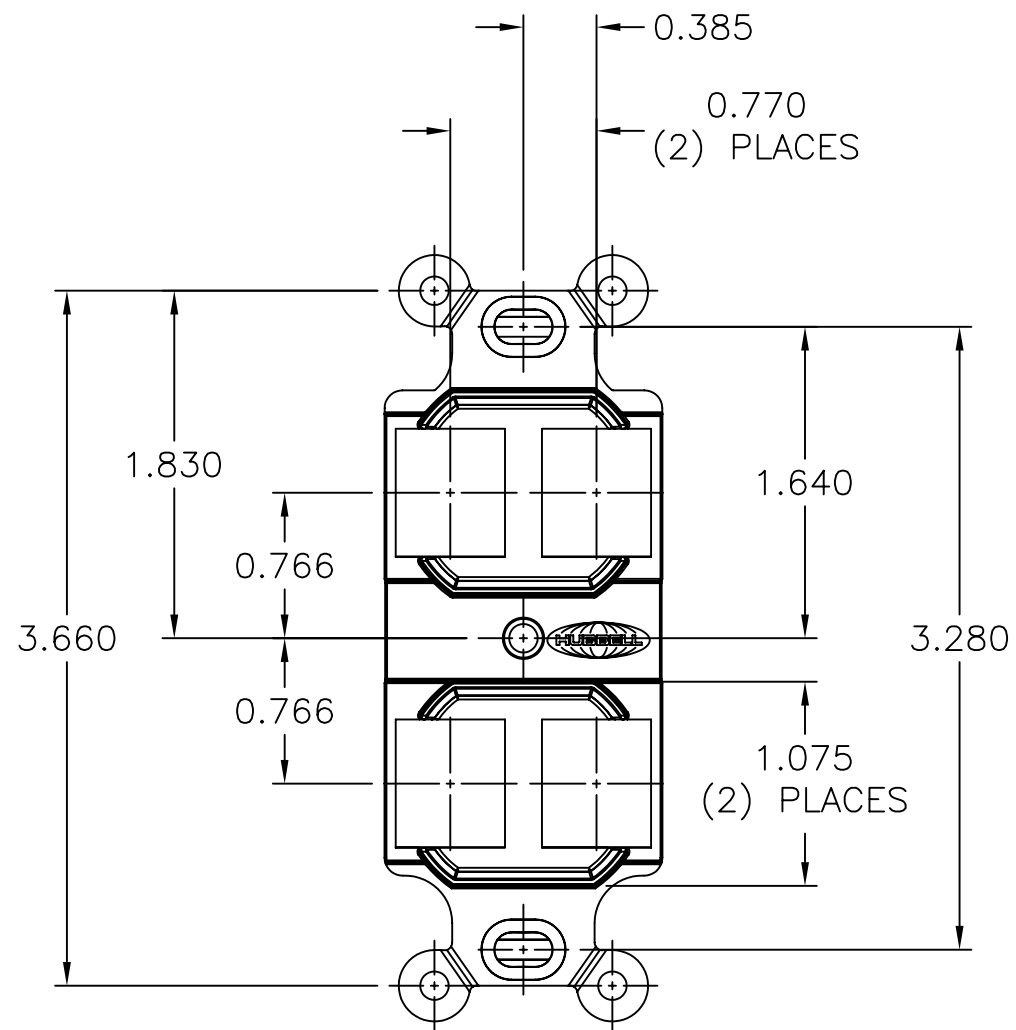


ITEM NO.	DESCRIPTION	QTY.
1	OUTLET, 4 PORT, MODULAR FRAME	1
2	SCREW,6-32 x 7/8,SLTD,FLAT HEAD	2

CATALOG NUMBER	COLOR	DESCRIPTION
Q1060	OFFICE WHITE	INFIN-E-STATION 106 FRAME 4 PORT
Q106B	BLACK	INFIN-E-STATION 106 FRAME 4 PORT
Q106G	GRAY	INFIN-E-STATION 106 FRAME 4 PORT
Q106W	WHITE	INFIN-E-STATION 106 FRAME 4 PORT
Q106E	ELECTRIC IVORY	INFIN-E-STATION 106 FRAME 4 PORT
Q106AL	ALMOND	INFIN-E-STATION 106 FRAME 4 PORT
Q106LA	LIGHT ALMOND	INFIN-E-STATION 106 FRAME 4 PORT




KEYSTONE OPENING



NOTES
UNLESS OTHERWISE SPECIFIED:

1. UL LISTED
2. CSA CERTIFIED
3. SPECIFICATIONS SUBJECT TO CHANGE WITHOUT NOTICE

Created on AUTOCAD	DIMENSIONING AND TOLERANCE PER ANSI Y14.5M-1982 UNLESS OTHERWISE SPECIFIED, DIMENSIONS ARE IN INCHES (MM). TOLERANCES .XX = ±.01 (.25) .XXX = ±.005 (.127) .XXXX = ±.0025 (.0635) ANGLE TOL ±1°		PROJECT REFERENCE:		 Hubbell Premise Wiring HUBBELL INCORPORATED (Delaware) 14 Lord's Hill Road, Stonington, Connecticut 06378
	IN ACCEPTING OUR DRAWINGS, BLUEPRINTS, OR SUPPORTING DOCUMENTATION FOR QUOTATION OR OTHER PURPOSES, YOU AGREE NOT TO DISCLOSE TO OTHERS THE IDEAS, INFORMATION, OR DESIGNS SHOWN HEREIN, AND THAT YOU WILL MAKE NO USE OF SAME WITHOUT PERMISSION		MATERIAL:		
			DRAWN BY: P.S.MAGUIRE 06/19/2001		TITLE: INFIN-E-STATION 4 PORT, MODULAR 106 FRAME
			CHECKED BY: H.McGREGOR 06/20/2001		SIZE: C DRAWING NO.: C11282
			APPROVED BY: G.KIERSTEAD 06/20/2001		SCALE: FULL SHEET 1 OF 1

REV.	ECN	DATE	DESCRIPTION	CHG BY	APPD BY
C	5870	6/9/06	ADDED -LA CATALOG NUMBER	CD	
B	5680	8/23/05	ADDED -AL CATALOG NUMBER	CD	
A	4334	06/19/01	INITIAL RELEASE	PSM	HKM