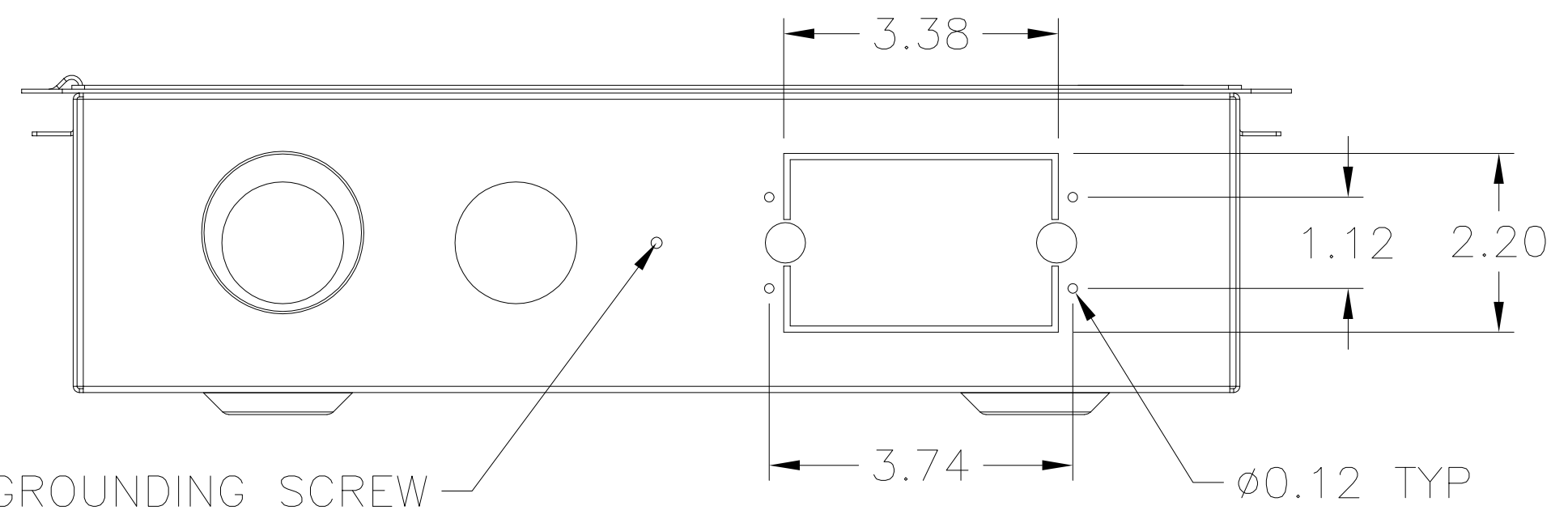
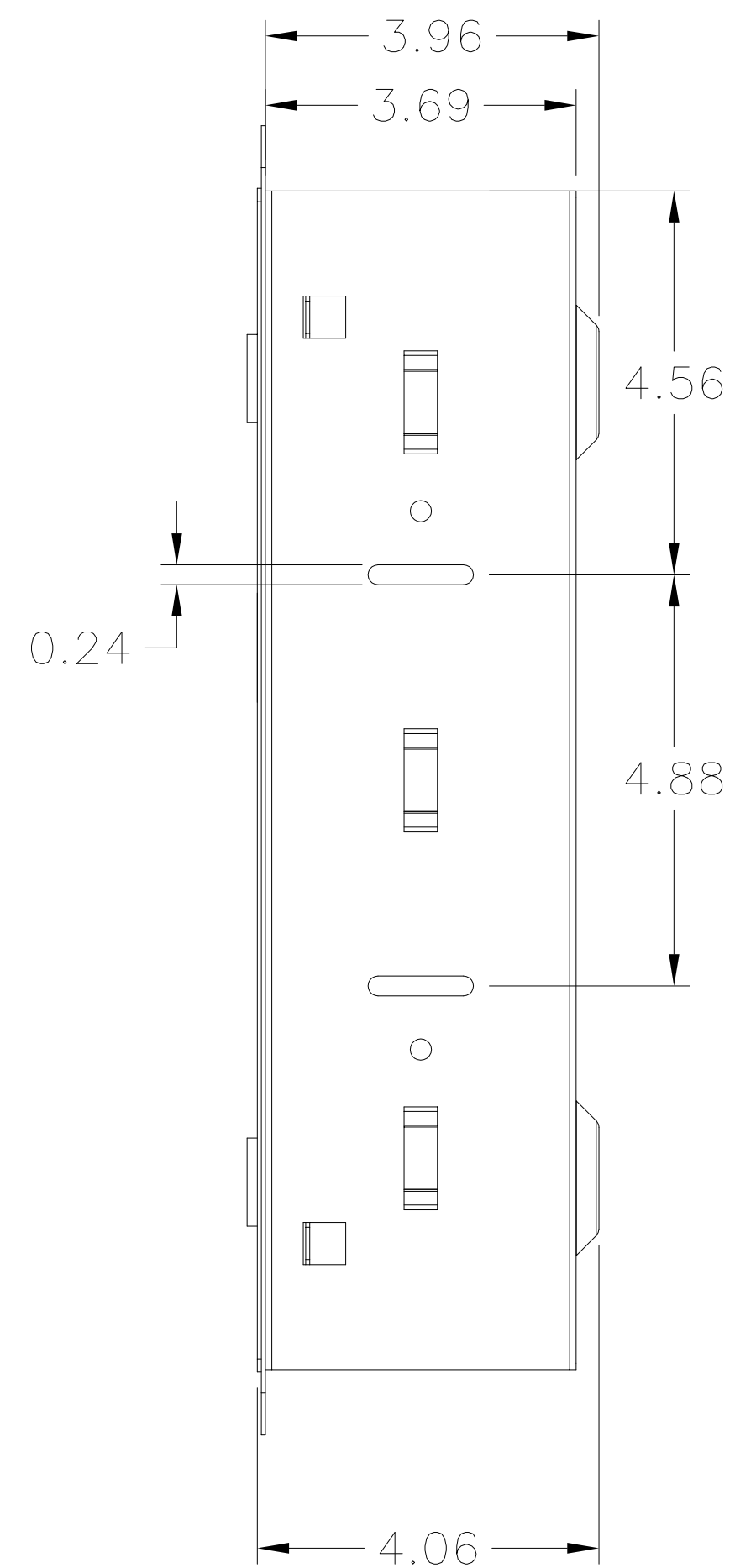
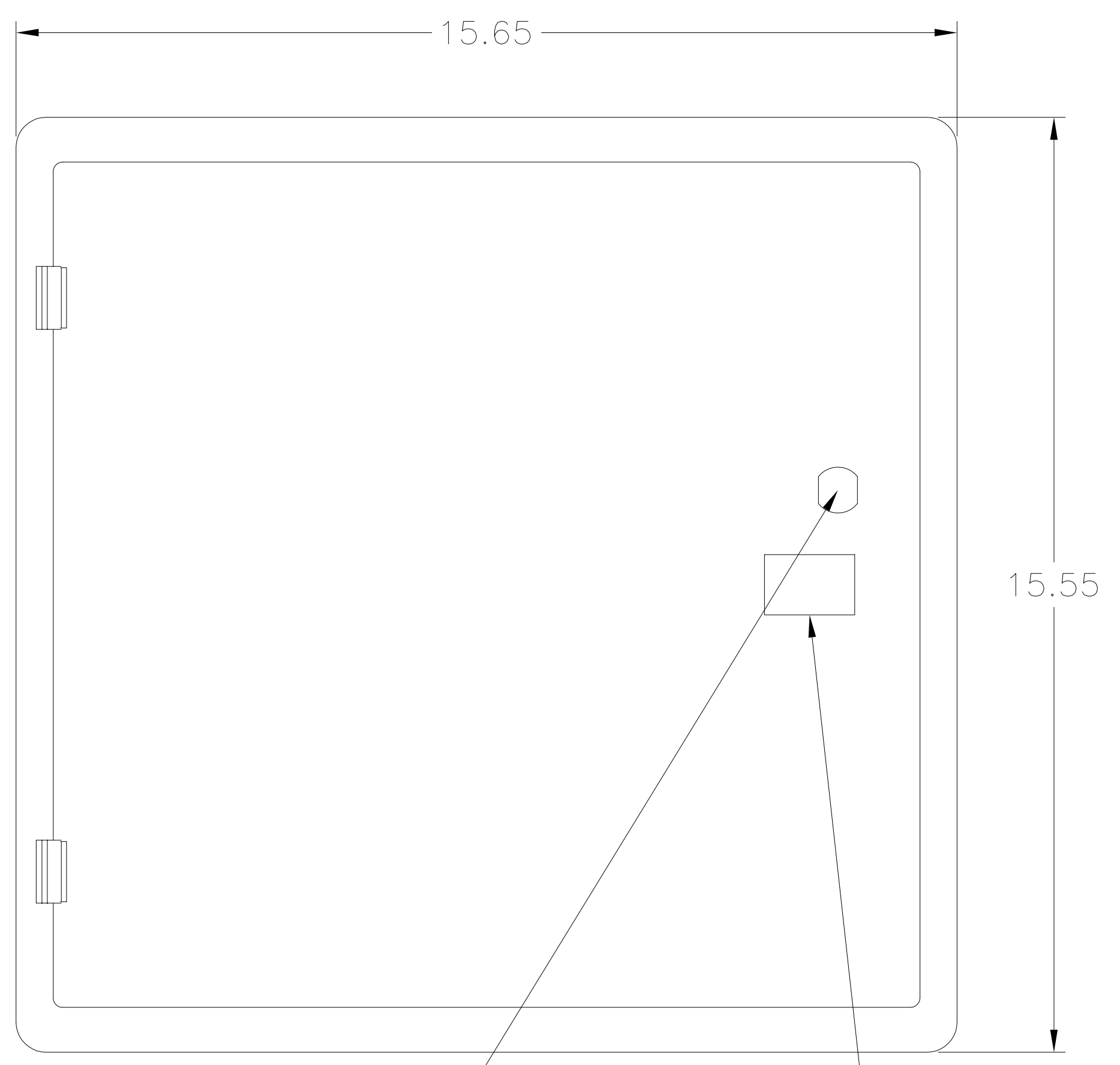
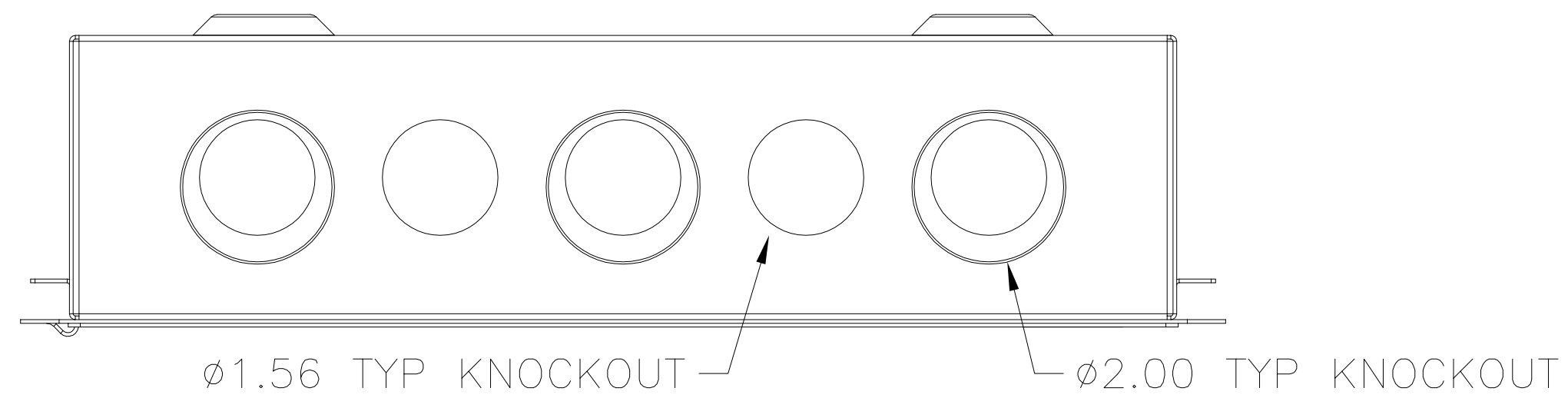
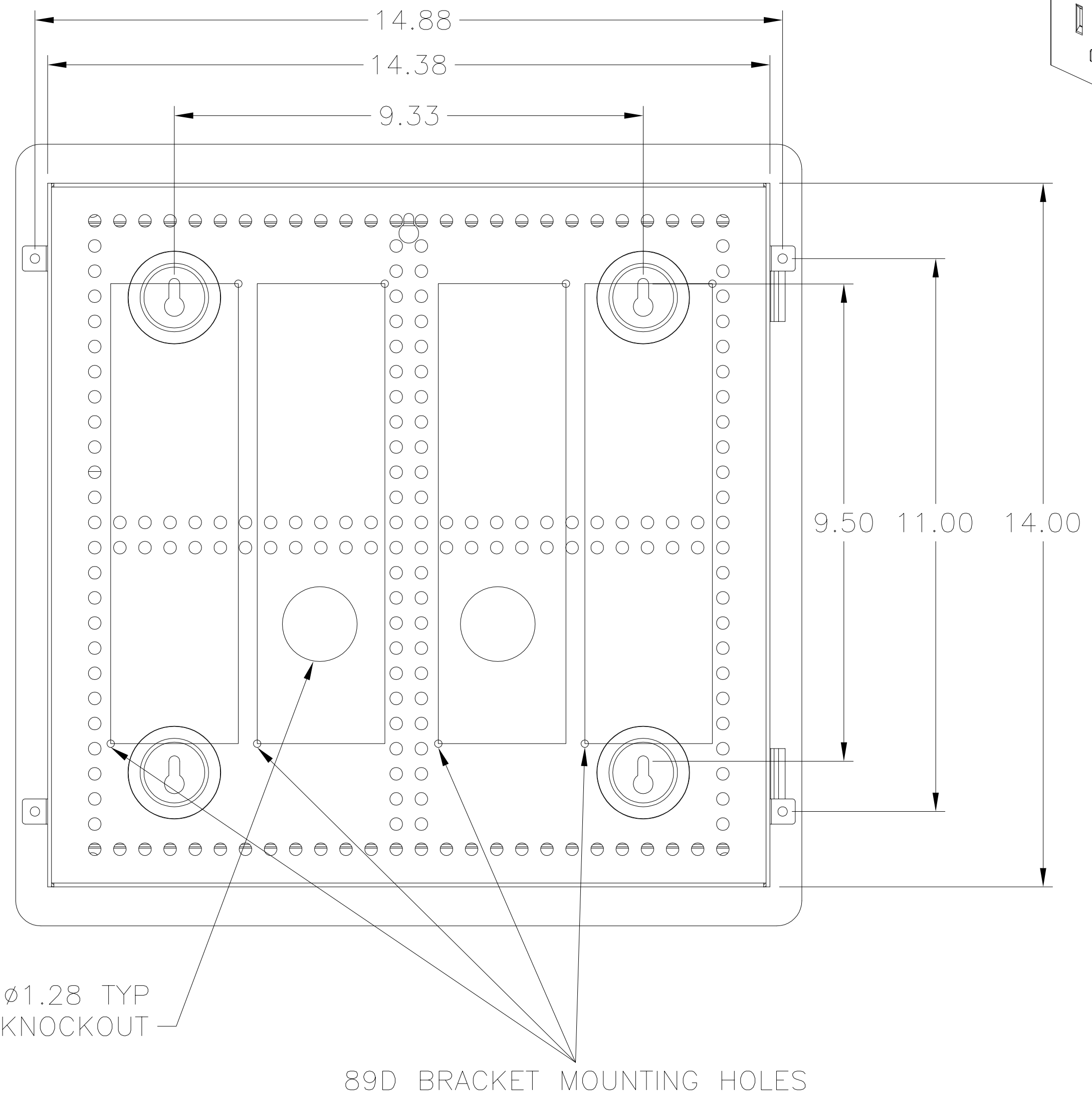
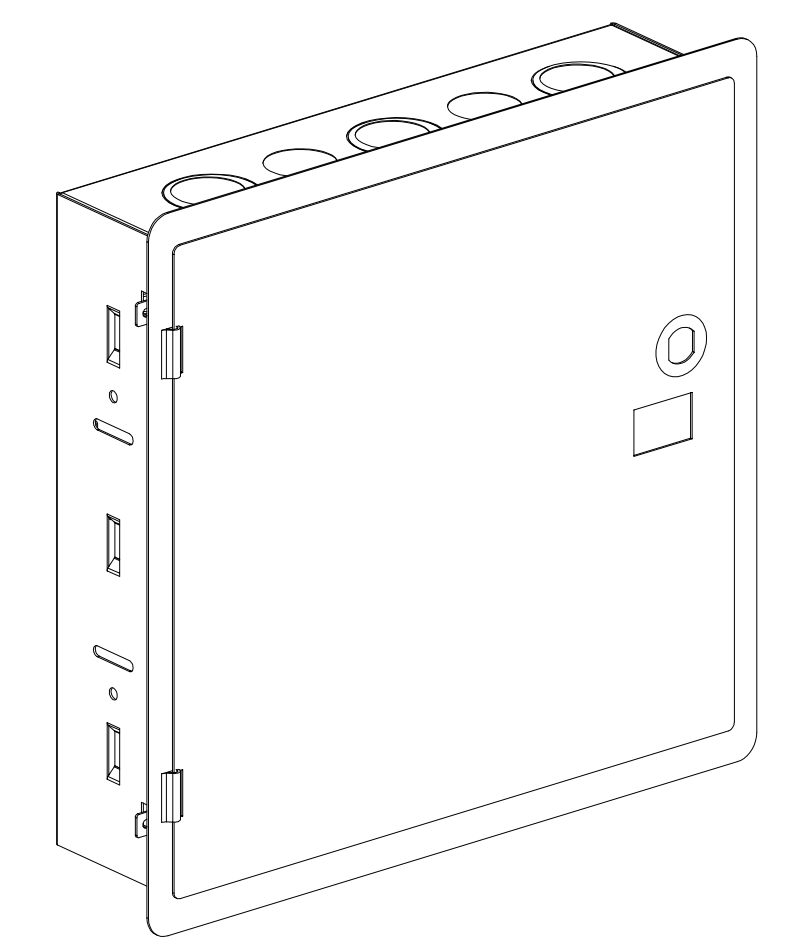


ITEM NO.	DESCRIPTION	QTY.
NSOBOX14	14" SOHO BOX	1

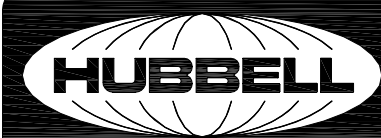


NOTES:

- ASSEMBLY ALSO CONTAINS:
 (1) HARDWARE KIT
 (4) NYLATCH PUSH FASTENER
 (1) NETWORK CONFIGURATION LABEL
- SPECIFICATIONS SUBJECT TO CHANGE WITHOUT NOTICE.



REV.	ECN	DATE	DESCRIPTION	CHG BY	APPD BY
B	5950	08/31/06	NSOBOX14 WAS HSOBOX14, ADDED NOTE 2	NJR	
A	5262	2/17/04	INITIAL RELEASE	GPE	

Created on AUTOCAD	DIMENSIONING AND TOLERANCE PER ANSI Y14.5M-1992 UNLESS OTHERWISE SPECIFIED, DIMENSIONS ARE IN INCHES (MM). TOLERANCES .X = ±.03 (.8) .XX = ±.02 (.4) .XXX = ±.010 (.25) ANGLE TOL ±1°		PROJECT REFERENCE: PMS 520		 Hubbell Premise Wiring HUBBELL INCORPORATED (Delaware) 14 Lord's Hill Road, Stonington, Connecticut 06378	
	MATERIAL: BOX: 18 GAGE COLD ROLLED STEEL POLYESTER WHITE TEXTURE		DRAWN BY: GLEN P. EICO, 2/18/04			TITLE: 14" SOHO BOX ASSEMBLY
	IN ACCEPTING OUR DRAWINGS, BLUEPRINTS, OR SUPPORTING DOCUMENTATION FOR QUOTATION OR OTHER PURPOSES, YOU AGREE NOT TO DISCLOSE TO OTHERS THE IDEAS, INFORMATION, OR DESIGNS SHOWN HEREIN, AND THAT YOU WILL MAKE NO USE OF SAME WITHOUT PERMISSION		CHECKED BY:		SIZE: D	DRAWING NO.: C11953
	APPROVED BY:		APPROVED BY:		SCALE: N/A	SHEET 1 OF 1