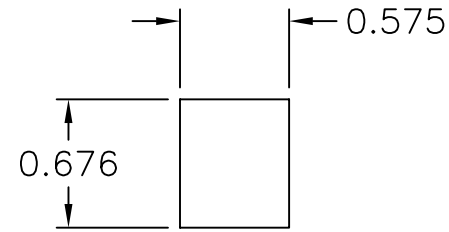
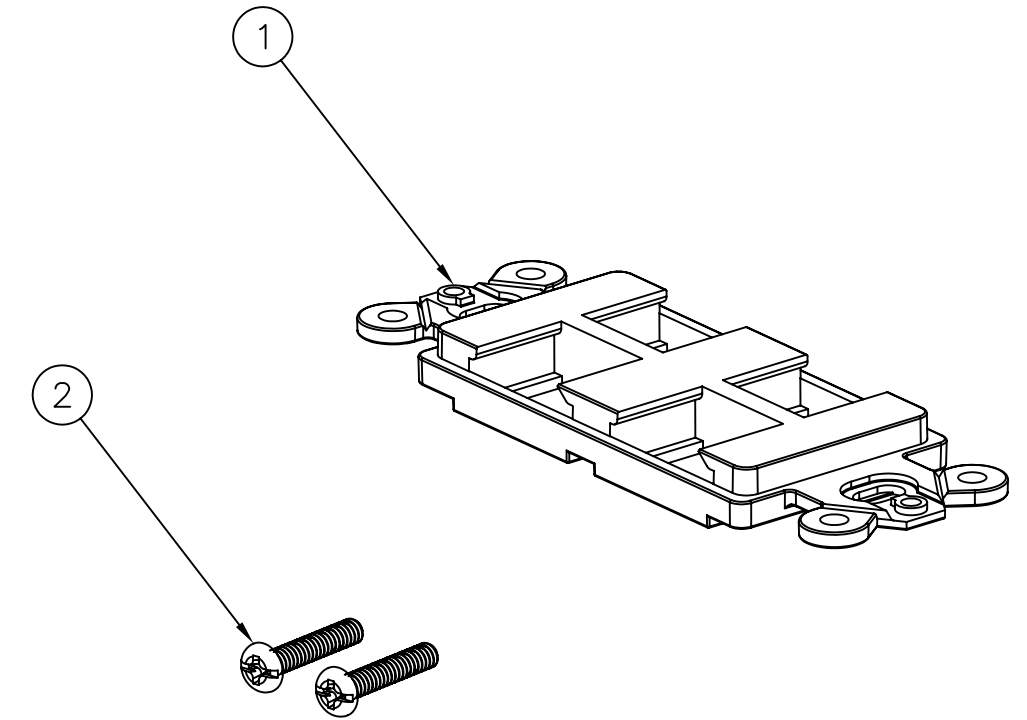
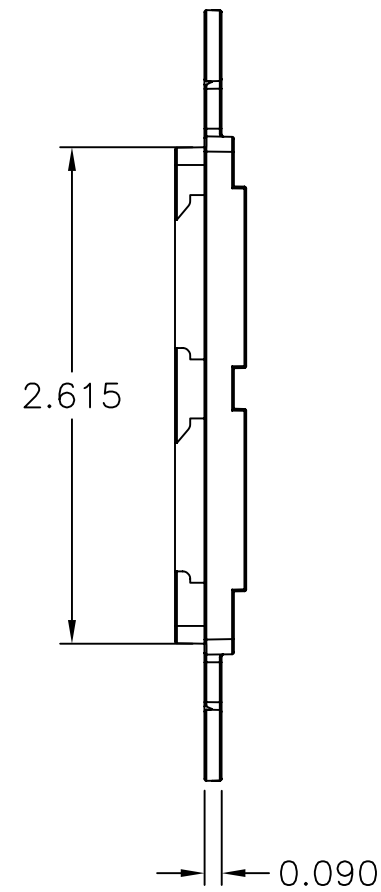
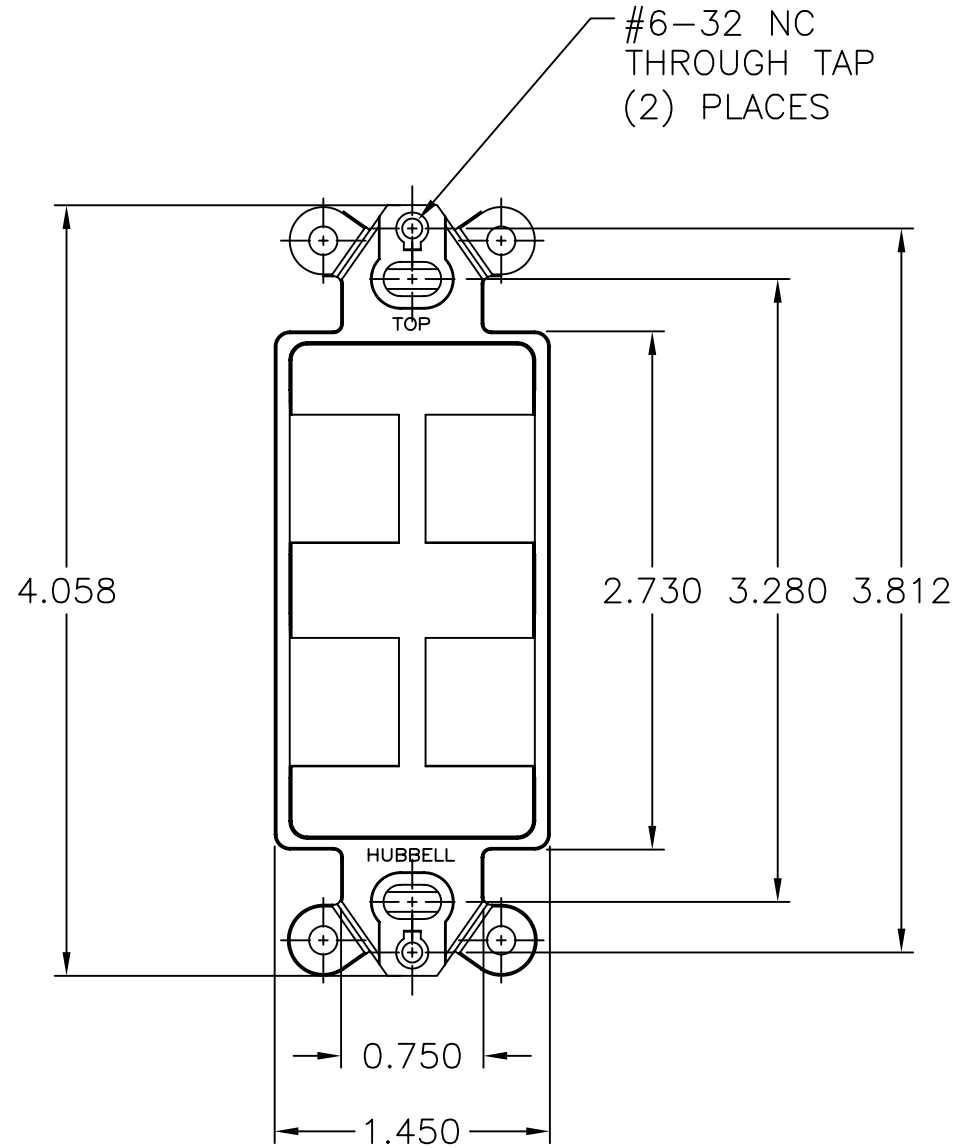
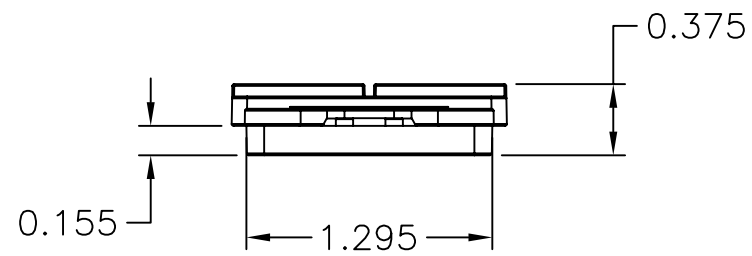


ITEM NO.	DESCRIPTION	QTY.
1	FRAME, 4 PORT ISF	1
2	SCREW, 6-32 PAN HD-SPECIAL	2
3	INSTRUCTION SHEET, ISF SERIES	1

CATALOG NUMBER	COLOR	DESCRIPTION
ISF4BK	BLACK	FRAME, 4 PORT ISF
ISF4EI	ELECTRIC IVORY	FRAME, 4 PORT ISF
ISF4OW	OFFICE WHITE	FRAME, 4 PORT ISF
ISF4GY	GREY	FRAME, 4 PORT ISF
ISF4W	WHITE	FRAME, 4 PORT ISF
ISF4AL	ALMOND	FRAME, 4 PORT ISF
ISF4LA	LIGHT ALMOND	FRAME, 4 PORT ISF




KEYSTONE OPENING
(4) PLACES



NOTES

UNLESS OTHERWISE SPECIFIED:

- UL LISTED;
- STANDARD NEMA RECTANGULAR OPENING (WD60S2)
- SPECIFICATIONS SUBJECT TO CHANGE WITHOUT NOTICE

Created on AUTOCAD	DIMENSIONING AND TOLERANCE PER ANSI Y14.5M-1982 UNLESS OTHERWISE SPECIFIED, DIMENSIONS ARE IN INCHES (MM). TOLERANCES .XX = ±.01 (.25) .XXX = ±.005 (.127) .XXXX = ±.0025 (.0635) ANGLE TOL ±1°		PROJECT REFERENCE:		 Hubbell Premise Wiring HUBBELL INCORPORATED (Delaware) 14 Lord's Hill Road, Stonington, Connecticut 06378
	IN ACCEPTING OUR DRAWINGS, BLUEPRINTS, OR SUPPORTING DOCUMENTATION FOR QUOTATION OR OTHER PURPOSES, YOU AGREE NOT TO DISCLOSE TO OTHERS THE IDEAS, INFORMATION, OR DESIGNS SHOWN HEREIN, AND THAT YOU WILL MAKE NO USE OF SAME WITHOUT PERMISSION		MATERIAL:		
	DRAWN BY: PAUL S. MAGUIRE 02/13/02		TITLE: FRAME, 4 PORT ISF		
	CHECKED BY:		SIZE: C DRAWING NO. C773249		REV. C
	APPROVED BY:		SCALE: 1/1		SHEET 1 OF 1

REV.	ECN	DATE	DESCRIPTION	CHG BY	APPD BY
C	5870	6/9/06	ADDED LIGHT ALMOND CATALOG NUMBER	CD	
B	5678	8/11/05	ADDED ALMOND CATALOG NUMBER	CD	
A	4630	02/13/02	INITIAL RELEASE	PSM	