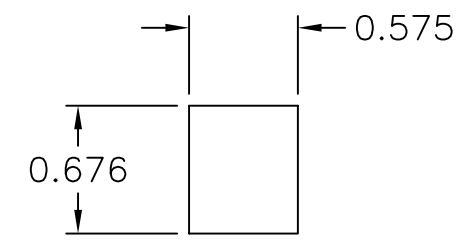
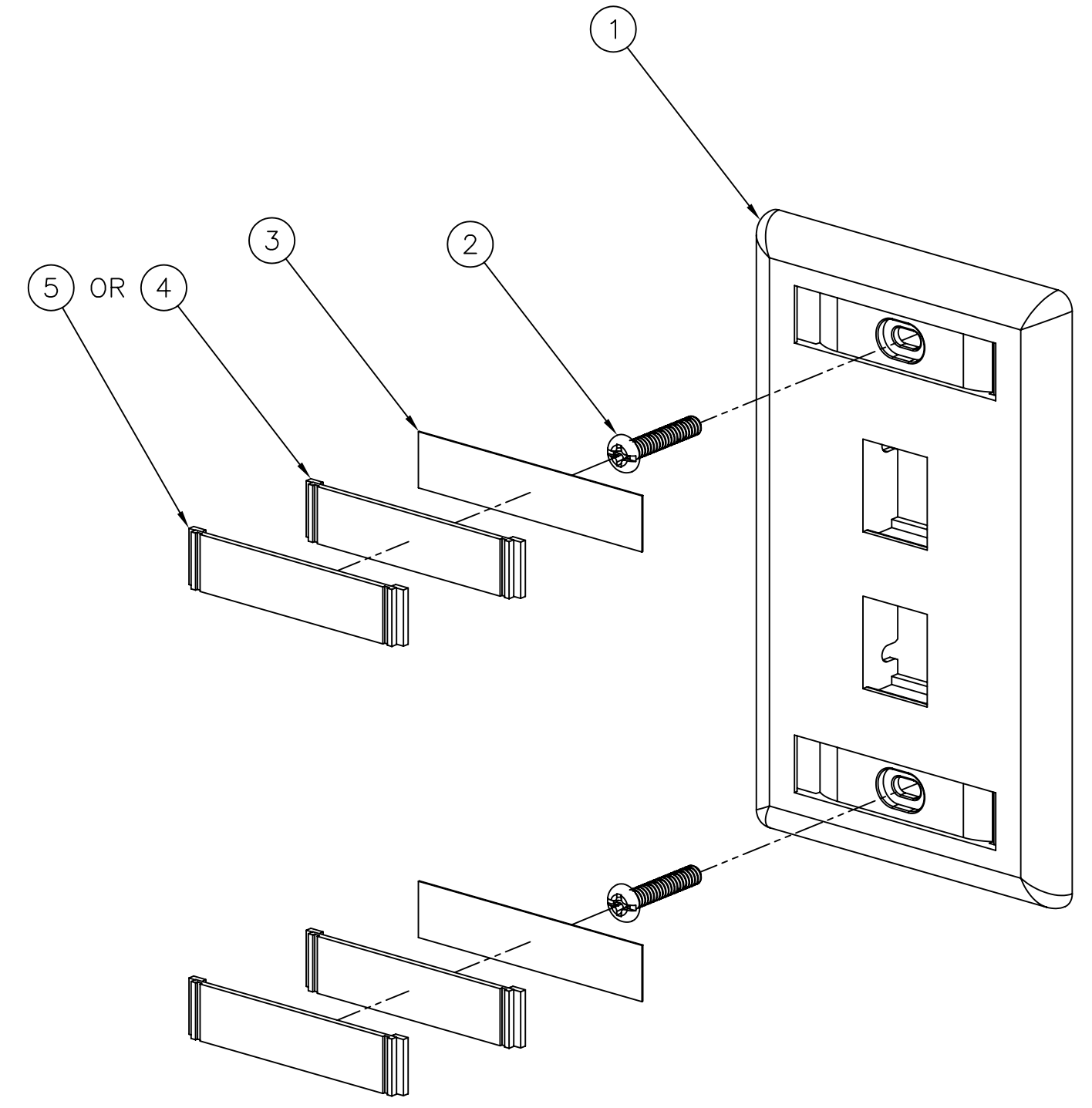
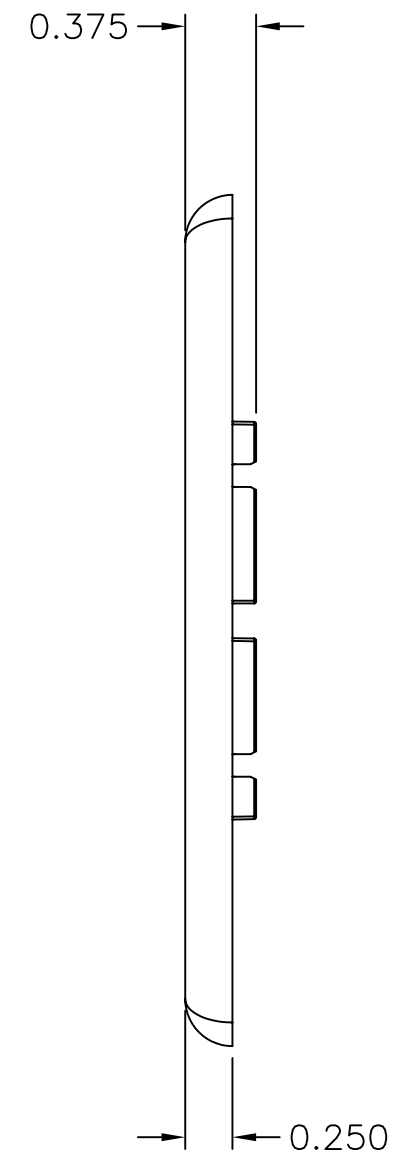
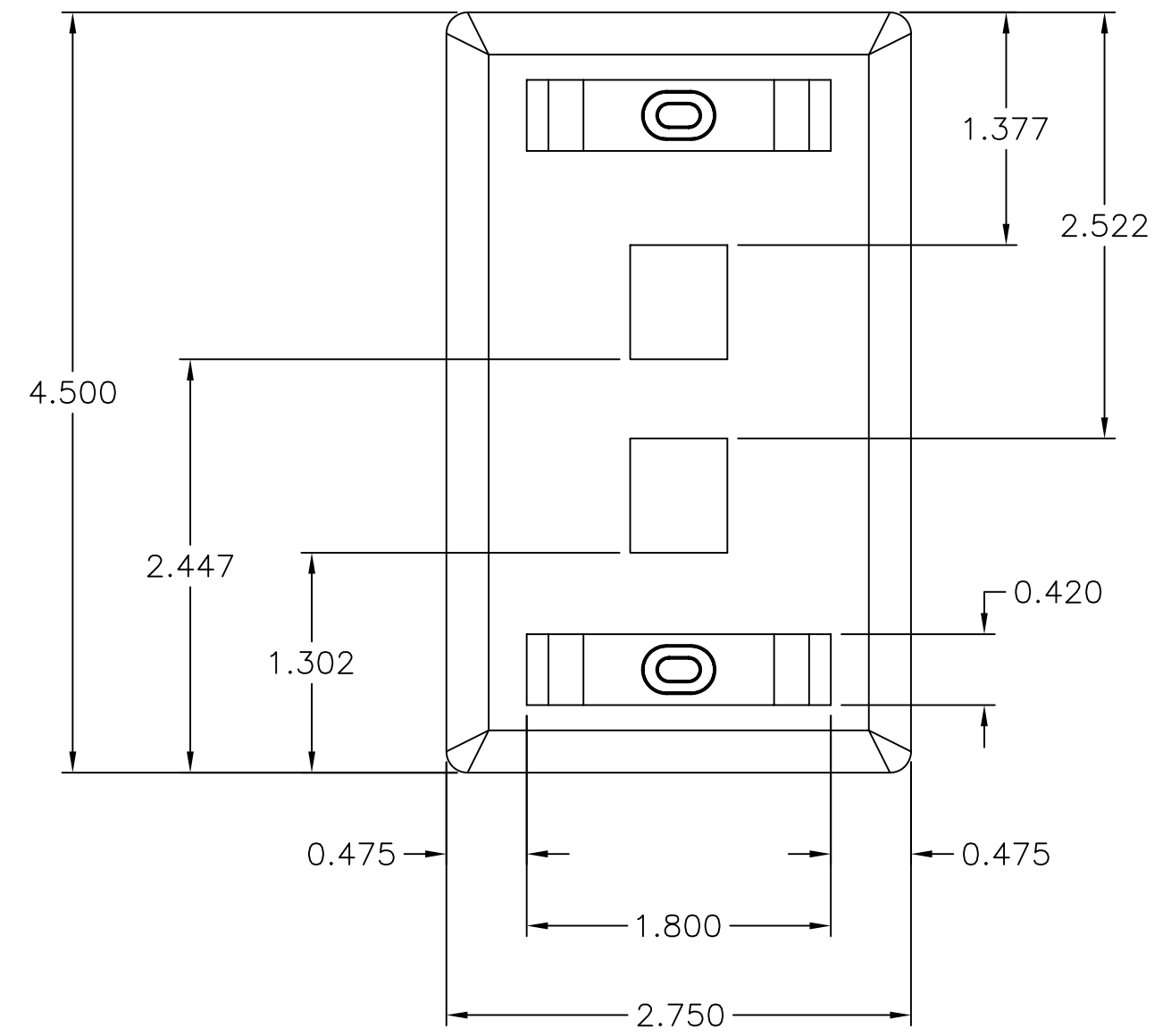


ITEM NO.	DESCRIPTION	QTY.
1	PLATE,FLUSH,2P,W/LABELS	1
2	SCREW,6-32 PAN HD-SPECIAL	2
3	CARD,PAPER,.40X1.92,BLANK	2
4	COVER LABEL,CLEAR	2
5	COVER LABEL,MATCHING COLOR	2

CATALOG NUMBER	COLOR	DESCRIPTION
IFP12OW	OFFICE WHITE	PLATE FLUSH 2 PORT
IFP12EI	ELECTRIC IVORY	PLATE FLUSH 2 PORT
IFP12W	WHITE	PLATE FLUSH 2 PORT
IFP12GY	GRAY	PLATE FLUSH 2 PORT
IFP12TI	TELCO IVORY	PLATE FLUSH 2 PORT
IFP12BK	BLACK	PLATE FLUSH 2 PORT
IFP12AL	ALMOND	PLATE FLUSH 2 PORT
IFP12LA	LIGHT ALMOND	PLATE FLUSH 2 PORT



KEYSTONE OPENING



NOTES
UNLESS OTHERWISE SPECIFIED:

1. UL LISTED: E129878
2. CSA CERTIFIED: LR 80837
3. SPECIFICATIONS SUBJECT TO CHANGE WITHOUT NOTICE

REV.	ECN	DATE	DESCRIPTION	CHG BY	APPD BY
C	5870	6/8/06	ADDED LIGHT ALMOND CATALOG NUMBER	CD	
B	5680	8/22/05	ADDED ALMOND CATALOG NUMBER	CD	
A	4148	02/22/01	INITIAL RELEASE	PSM	HKM

Created on AUTOCAD

DIMENSIONING AND TOLERANCE PER ANSI Y14.5M-1982
UNLESS OTHERWISE SPECIFIED, DIMENSIONS ARE IN INCHES (MM).
TOLERANCES
.XX = ±.01 (.25)
.XXX = ±.005 (.127)
.XXXX = ±.0025 (.0635)
ANGLE TOL ±1°

IN ACCEPTING OUR DRAWINGS, BLUEPRINTS, OR SUPPORTING DOCUMENTATION FOR QUOTATION OR OTHER PURPOSES, YOU AGREE NOT TO DISCLOSE TO OTHERS THE IDEAS, INFORMATION, OR DESIGNS SHOWN HEREIN, AND THAT YOU WILL MAKE NO USE OF SAME WITHOUT PERMISSION

PROJECT REFERENCE:

MATERIAL:

DRAWN BY:
P.S.MAGUIRE 02/22/2001

CHECKED BY:
H. MCGREGOR 02/28/2001

APPROVED BY:
H. MCGREGOR 02/28/2001

Hubbell Premise Wiring
HUBBELL INCORPORATED (Delaware)
14 Lord's Hill Road, Stonington, Connecticut 06378

TITLE: INFINE STATION FACE PLATE FLUSH 2-PORT W/LABEL HOLDERS

SIZE	DRAWING NO.	REV.
C	C773014	C
SCALE:	FULL	SHEET 1 OF 1