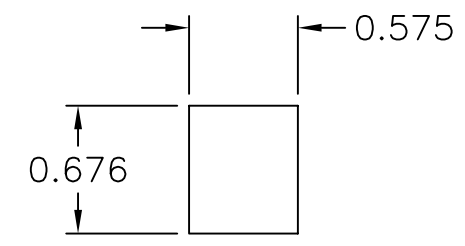
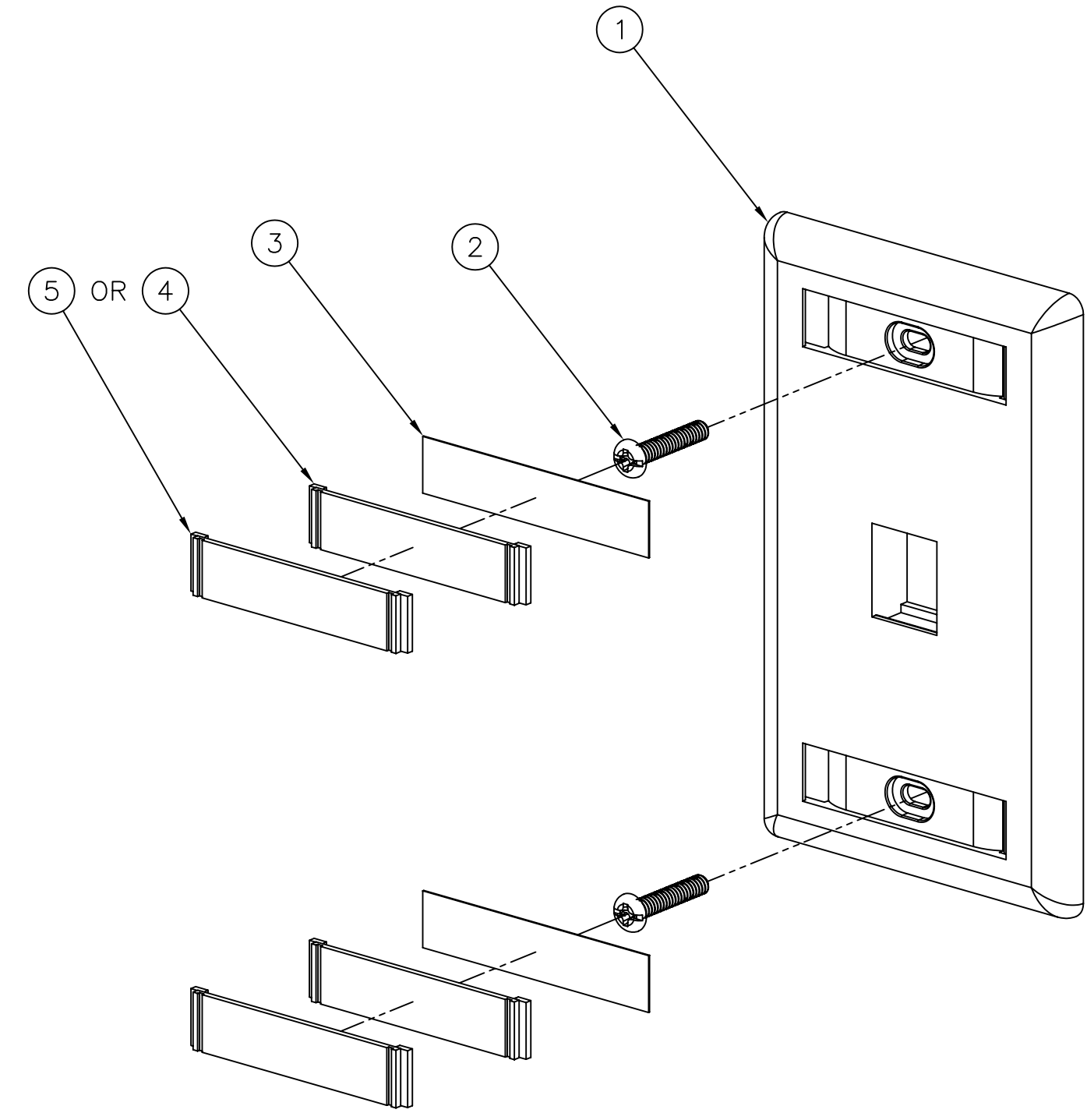
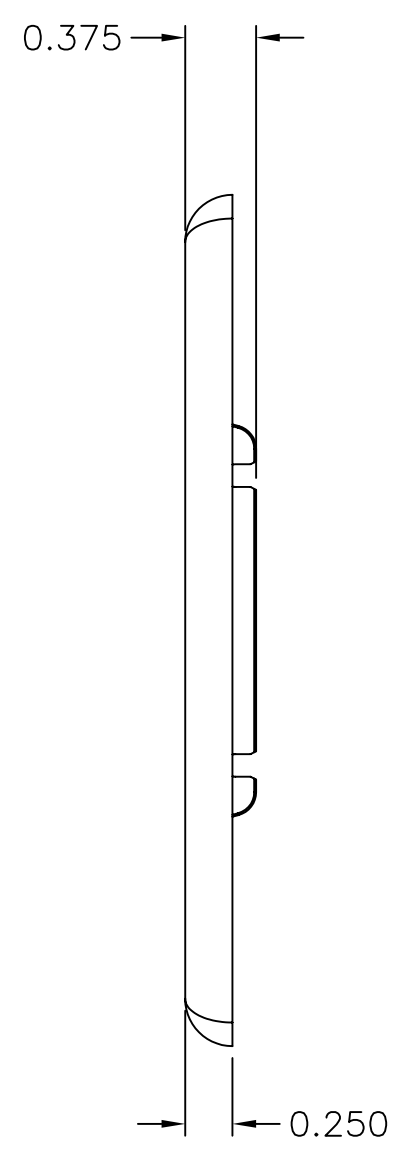
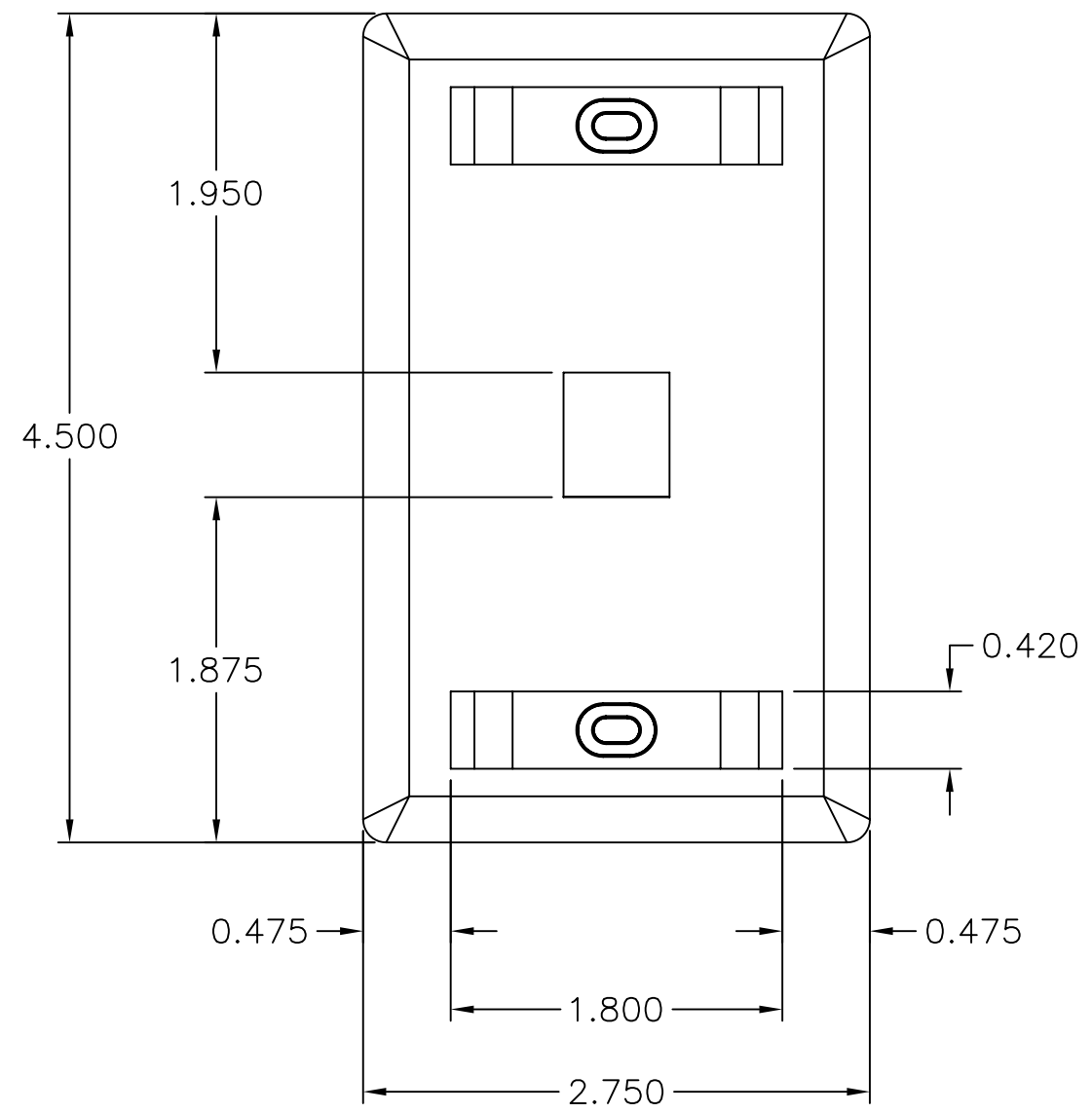


ITEM NO.	DESCRIPTION	QTY.
1	PLATE,FLUSH,1P,W/LABELS	1
2	SCREW,6-32 PAN HD-SPECIAL	2
3	CARD,PAPER,.40X1.92,BLANK	2
4	COVER LABEL,CLEAR	2
5	COVER LABEL,MATCHING COLOR	2

CATALOG NUMBER	COLOR	DESCRIPTION
IFP11OW	OFFICE WHITE	PLATE FLUSH 1 PORT
IFP11EI	ELECTRIC IVORY	PLATE FLUSH 1 PORT
IFP11W	WHITE	PLATE FLUSH 1 PORT
IFP11GY	GRAY	PLATE FLUSH 1 PORT
IFP11TI	TELCO IVORY	PLATE FLUSH 1 PORT
IFP11BK	BLACK	PLATE FLUSH 1 PORT
IFP11AL	ALMOND	PLATE FLUSH 1 PORT
IFP11LA	LIGHT ALMOND	PLATE FLUSH 1 PORT



KEYSTONE OPENING



**NOTES**

UNLESS OTHERWISE SPECIFIED:

1. UL LISTED: E129878
2. CSA CERTIFIED: LR 80837
3. SPECIFICATIONS SUBJECT TO CHANGE WITHOUT NOTICE

REV.	ECN	DATE	DESCRIPTION	CHG BY	APPD BY
C	5870	6/8/06	ADD -LA CATALOG NUMBER	CD	
B	5680	8/22/05	ADD -AL CATALOG NUMBER	CD	
A	4148	02/22/01	INITIAL RELEASE	PSM	HKM

Created on AUTOCAD

DIMENSIONING AND TOLERANCE PER ANSI Y14.5M-1982  
UNLESS OTHERWISE SPECIFIED, DIMENSIONS ARE IN INCHES (MM).  
TOLERANCES  
.XX = ±.01 (.25)  
.XXX = ±.005 (.127)  
.XXXX = ±.0025 (.0635)  
ANGLE TOL ±1°

IN ACCEPTING OUR DRAWINGS, BLUEPRINTS, OR SUPPORTING DOCUMENTATION FOR QUOTATION OR OTHER PURPOSES, YOU AGREE NOT TO DISCLOSE TO OTHERS THE IDEAS, INFORMATION, OR DESIGNS SHOWN HEREIN, AND THAT YOU WILL MAKE NO USE OF SAME WITHOUT PERMISSION

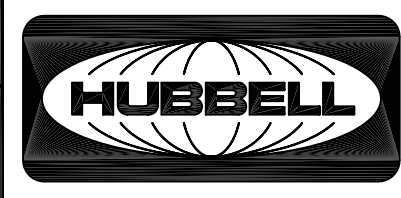
PROJECT REFERENCE:

MATERIAL:

DRAWN BY:  
P.S.MAGUIRE 02/22/2001

CHECKED BY:  
H. MCGREGOR 02/28/2001

APPROVED BY:  
H. MCGREGOR 02/28/2001



**Hubbell Premise Wiring**  
HUBBELL INCORPORATED (Delaware)  
14 Lord's Hill Road, Stonington, Connecticut 06378

TITLE: INFINE STATION FACE PLATE  
FLUSH 1-PORT  
WITH LABEL HOLDERS

SIZE	DRAWING NO.	REV.
C	C773015	C
SCALE:	FULL	SHEET 1 OF 1