

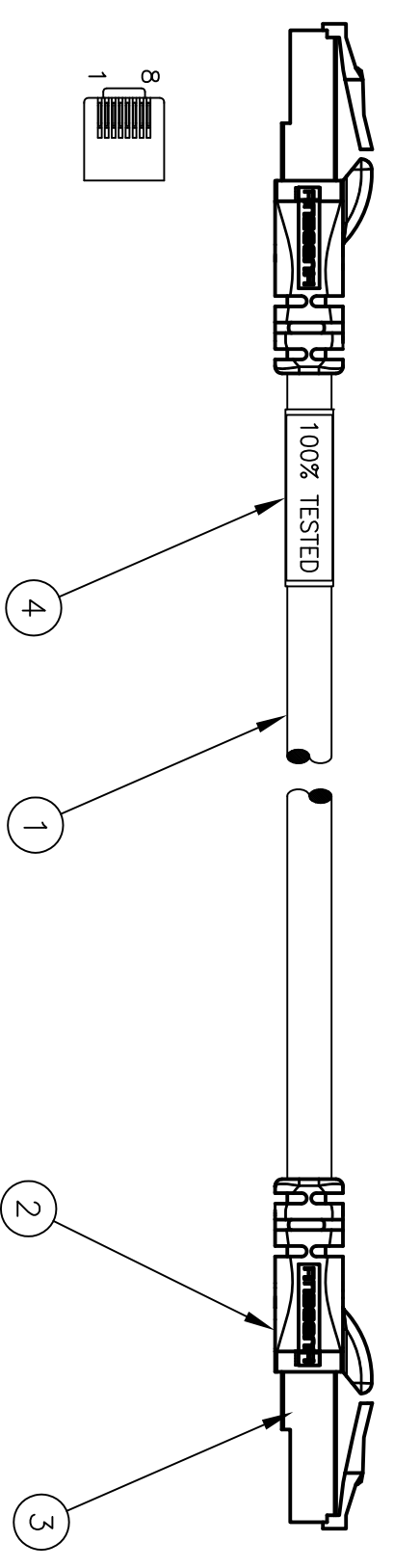
ITEM NO.	DESCRIPTION	QTY.
1	CUSTOM CAT 6A STRANDED PATCH CABLE	1
2	PC STRAIN RELIEF BOOT	2
3	CUSTOM MODULAR PLUG	2
4	TRACEABILITY LABEL 100% TESTED	1

CATALOG NUMBERS	LENGTH	AVAILABLE COLORS
HC6A×03	3 FEET	BLUE GRAY
HC6A×05	5 FEET	BLUE GRAY
HC6A×07	7 FEET	BLUE GRAY
HC6A×10	10 FEET	BLUE GRAY
HC6A×15	15 FEET	BLUE GRAY
HC6A×20	20 FEET	BLUE GRAY
HC6A×25	25 FEET	BLUE GRAY

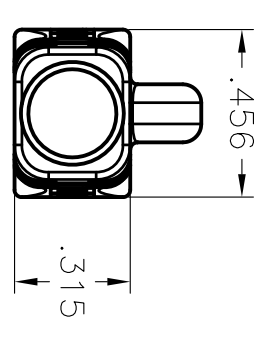
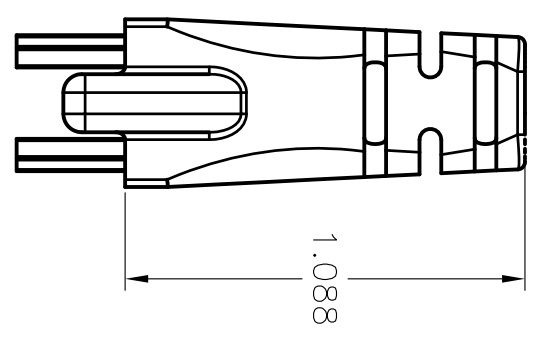
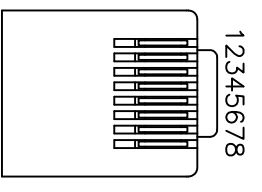
*STANDARD LENGTHS ARE ALSO AVAILABLE IN 5 FOOT INCREMENTS UP TO 100 FEET (I.E. 25, 30, 35, etc.)
 TO ORDER PATCH CORDS, REPLACE THE 'X' (HC6A×03) WITH 'B' BLUE
 'G' GRAY



PLUG DETAIL
SCALE 2/1



- 1 - WHITE/ORANGE
- 2 - ORANGE
- 3 - WHITE/GREEN
- 4 - BLUE
- 5 - WHITE/BLUE
- 6 - GREEN
- 7 - WHITE/BROWN
- 8 - BROWN



BOOT DETAIL
SCALE 2/1

WIRING DETAIL
SCALE 2/1

- NOTES**
UNLESS OTHERWISE SPECIFIED:
- PATCH CABLE, CATEGORY 6A, 26 AWG STRANDED (7/32) TINNED COPPER 0.0290 NOMINAL DIA (REF ITEM NO.1)
 - PC STRAIN RELIEF BOOT (REF ITEM NO.2)
 - CONTACTS 50 MICRO INCH GOLD PLATING (REF ITEM NO.3)
 - TRACEABILITY LABEL 100% TESTED (REF ITEM NO.4)
 - UL LISTED
 - SEE WIRING DETAIL FOR STANDARD T568B (TIA/EIA) WIRING (BOTH ENDS)
 - BALANCED SYSTEM CATEGORY 6A PERFORMANCE WITH HUBBELL NEXTSPEED ASCENT CATEGORY 6A SYSTEM.
 - 100% PERFORMANCE TESTED TO TIA/EIA 568-C CATEGORY 6A COMPONENT LIMITS.
 - SPECIFICATIONS SUBJECT TO CHANGE WITHOUT NOTICE.

Created on AUTOCAD		DIMENSIONING AND TOLERANCE PER ANSI Y14.5M-1982 UNLESS OTHERWISE SPECIFIED, DIMENSIONS ARE IN INCHES (MM), TOLERANCES XX = ±.01 (.25) XXX = ±.005 (.127) XXXX = ±.0025 (.0635) ANGLE TOL #1*		PROJECT REFERENCE:		HUBBELL Hubbell Premise Wiring HUBBELL INCORPORATED (Delaware) 14 Lord's Hill Road, Stonington, Connecticut 06378	
1	16444	11/11/10	INITIAL RELEASE	CG	DRAWN BY: C. GRIBBLE 11/11/10	SIZE C	DRAWING NO. HWS13002C
REV.	ECN	DATE	DESCRIPTION	CHG BY	APPROVED BY:	SCALE:	SHEET 1 OF 1
				APPD BY	REV. 1		