

ITEM NO.	DESCRIPTION	QTY.
1	CUSTOM 5e STRANDED PATCH CABLE	1
2	PC STRAIN RELIEF BOOT	2
3	CUSTOM MODULAR PLUG	2
4	TRACEABILITY LABEL 100% TESTED	1

CATALOG NUMBERS	LENGTH	AVAILABLE COLORS
HC5E×03	3 FEET	BLACK BLUE GRAY GREEN ORANGE RED YELLOW PURPLE WHITE
HC5E×05	5 FEET	BLACK BLUE GRAY GREEN ORANGE RED YELLOW PURPLE WHITE
HC5E×07	7 FEET	BLACK BLUE GRAY GREEN ORANGE RED YELLOW PURPLE WHITE
HC5E×10	10 FEET	BLACK BLUE GRAY GREEN ORANGE RED YELLOW PURPLE WHITE
HC5E×15	15 FEET	BLACK BLUE GRAY GREEN ORANGE RED YELLOW PURPLE WHITE
HC5E×20	20 FEET	BLACK BLUE GRAY GREEN ORANGE RED YELLOW PURPLE WHITE
HC5E×25	25 FEET	BLACK BLUE GRAY GREEN ORANGE RED YELLOW PURPLE WHITE

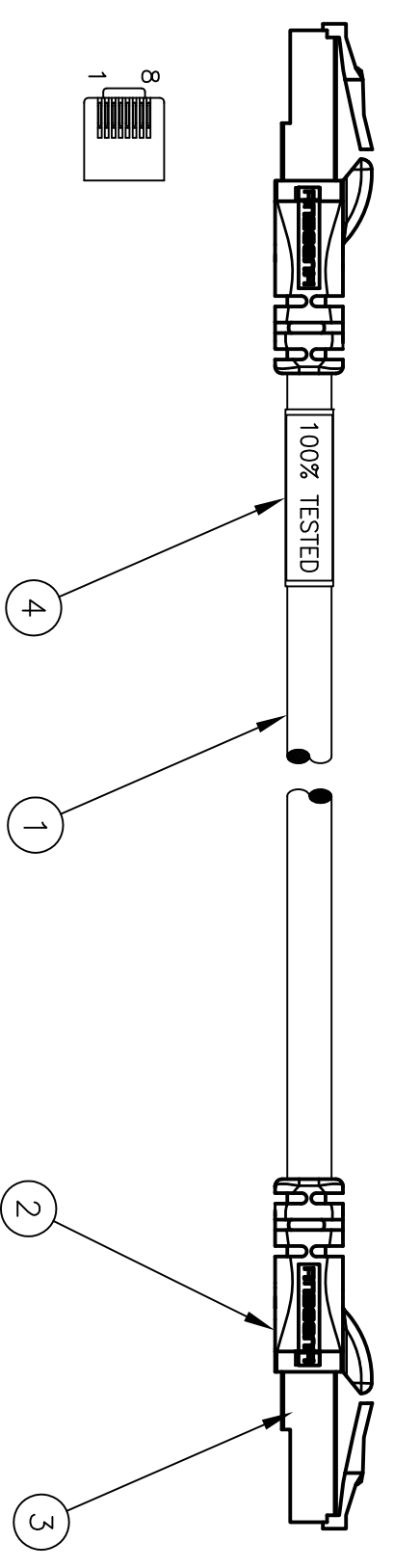
*STANDARD LENGTHS ARE ALSO AVAILABLE IN 5 FOOT INCREMENTS UP TO 100 FEET (I.E. 25, 30, 35, etc.)

TO ORDER PATCH CORDS, REPLACE THE 'x' (HC5E×03) WITH 'BK' BLACK

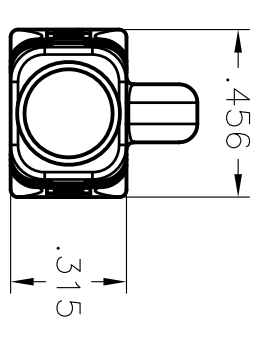
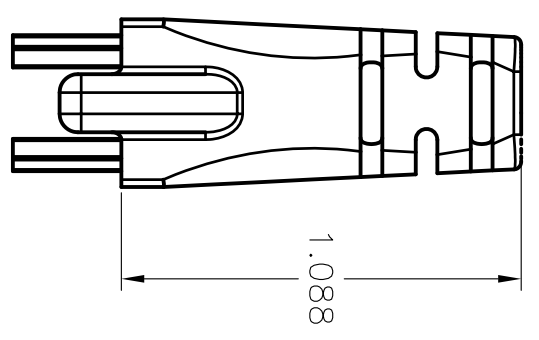
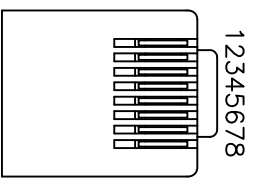
- 'B' BLUE
- 'G' GRAY
- 'GN' GREEN
- 'OR' ORANGE
- 'R' RED
- 'Y' YELLOW
- 'P' PURPLE
- 'W' WHITE



PLUG DETAIL
SCALE 2/1



- 1 - WHITE/ORANGE
- 2 - ORANGE
- 3 - WHITE/GREEN
- 4 - BLUE
- 5 - WHITE/BLUE
- 6 - GREEN
- 7 - WHITE/BROWN
- 8 - BROWN



WIRING DETAIL
SCALE 2/1

BOOT DETAIL
SCALE 2/1

- NOTES**
UNLESS OTHERWISE SPECIFIED:
- PATCH CABLE, CATEGORY 5e, 24 AWG STRANDED (7/32) TINNED COPPER 0.0215 NOMINAL DIA (REF ITEM NO.1)
 - PC STRAIN RELIEF BOOT (REF ITEM NO.2)
 - CONTACTS 50 MICRO INCH GOLD PLATING (REF ITEM NO.3)
 - TRACEABILITY LABEL 100% TESTED (REF ITEM NO.4)
 - UL LISTED
 - SEE WIRING DETAIL FOR STANDARD T568B (TIA/EIA) WIRING (BOTH ENDS)
 - BALANCED SYSTEM CATEGORY 5e PERFORMANCE WITH HUBBELL SPEEDGAIN CATEGORY 5e SYSTEM.
 - 100% PERFORMANCE TESTED TO TIA/EIA 568-C CATEGORY 5e COMPONENT LIMITS.
 - SPECIFICATIONS SUBJECT TO CHANGE WITHOUT NOTICE.

1	16446	11/11/10	INITIAL RELEASE	CG	CHG BY	APPD BY	Created on AUTOCAD	DIMENSIONING AND TOLERANCE PER ANSI Y14.5M-1982 UNLESS OTHERWISE SPECIFIED, DIMENSIONS ARE IN INCHES (MM), TOLERANCES XX = ±.01 (.25) XXX = ±.005 (.127) XXXX = ±.0025 (.0635) ANGLE TOL #1*	PROJECT REFERENCE:	DRAWN BY: C. GRIBBLE 11/11/10	TITLE: PATCH CORD ASSEMBLY HC5e	HUBBELL Hubbell Premise Wiring HUBBELL INCORPORATED (Delaware) 14 Lord's Hill Road, Stonington, Connecticut 06378	REV. 1
REV.	ECN	DATE	DESCRIPTION	CHG BY	APPD BY	SCALE:	FULL	SHEET 1 OF 1	SIZE	DRAWING NO.	HW513004C	REV. 1	