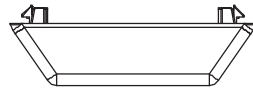
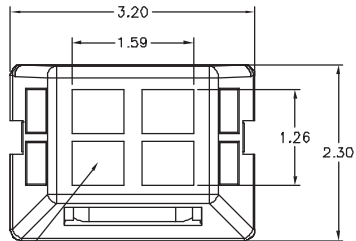


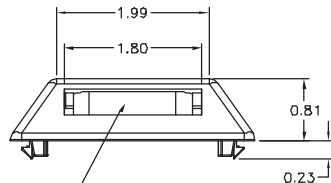
6			5			4			3			2		1
ITEM NO.	DESCRIPTION	QTY.										CATALOG NUMBER	COLOR	DESCRIPTION
1	PLATE,FURNITURE,4-PORT,W/LABELS	1										FP4GY	GREY	PLATE,FURNITURE 4 PORT
2	CARD,PAPER,,4DX1.92,BLANK	1										FP4BK	BLACK	PLATE,FURNITURE 4 PORT
3	COVER LABEL,CLEAR	1												



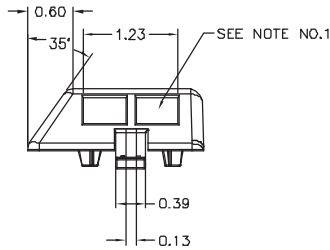
KEYSTONE OPENING



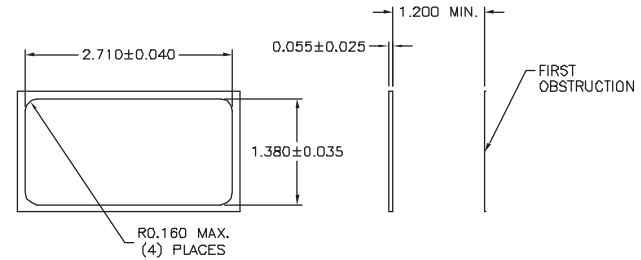
SEE STANDARD KEYSTONE OPENING



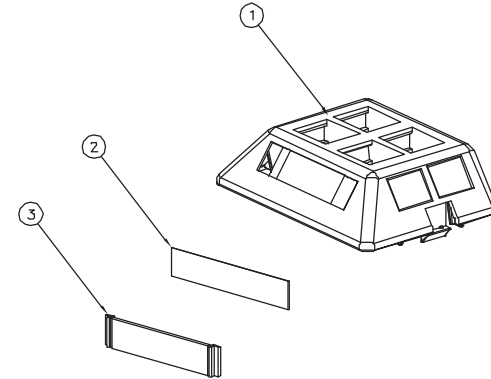
SEE NOTE NO.2



SEE NOTE NO.1



OPENING DETAIL



NOTES:

- LABEL FIELDS - HUBBELL PORT IDENTIFIERS PART NO. XPLPP10W
- LABEL FIELDS - HUBBELL STATION LABEL PART NO. XPLFP10W
- UL LISTED
- FITS STANDARD ANSI/TIA/EIA FURNITURE OPENING SIZE (SEE DETAIL)
- SPECIFICATIONS SUBJECT TO CHANGE WITHOUT PRIOR NOTICE

A	4693	05/06/02	INITIAL RELEASE	PSM	
REV.	ECN	DATE	DESCRIPTION	CHG BY	APPD BY

Created in AUTOCAD

DIMENSIONING AND TOLERANCE PER
ANSI Y14.5M-1992
UNLESS OTHERWISE SPECIFIED,
DIMENSIONS ARE IN INCHES (MM).
TOLERANCES
.XX = ±.01 (.25)
.XXX = ±.005 (.127)
.XXXX = ±.0025 (.0635)
ANGLE TOL ±1°

IN ACCEPTING OUR DRAWINGS,
BLUEPRINTS, OR SUPPORTING
DOCUMENTATION FOR QUOTATION
OR OTHER PURPOSES, YOU AGREE
NOT TO DISCLOSE TO OTHERS
THE IDEAS, INFORMATION, OR
DESIGNS SHOWN HEREIN, AND
THAT YOU WILL MAKE NO USE
OF SAME WITHOUT PERMISSION

PROJECT REFERENCE:

MATERIAL:

DRAWN BY:
PAUL S. MAGUIRE 05/06/02

CHECKED BY:

APPROVED BY:



Hubbell Premise Wiring
HUBBELL INCORPORATED (Delaware)
14 Lord's Hill Road, Storington, Connecticut 06428

TITLE: PLATES/HOUSINGS/FRAMES FURNITURE PLATES 4-PORT FURNITURE PLATE (STANDARD OPENING)		REV. A
SIZE C	DRAWING NO. C773275	
SCALE: 1/1		SHEET 1 OF 1