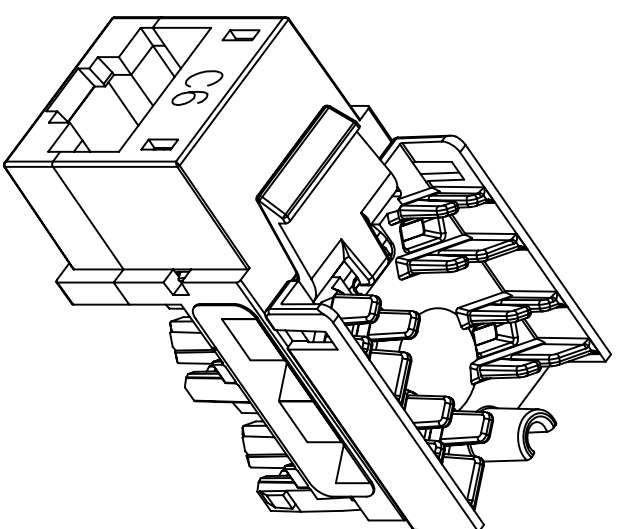
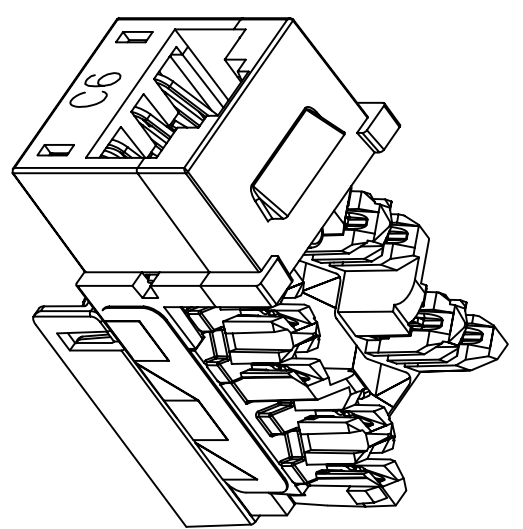
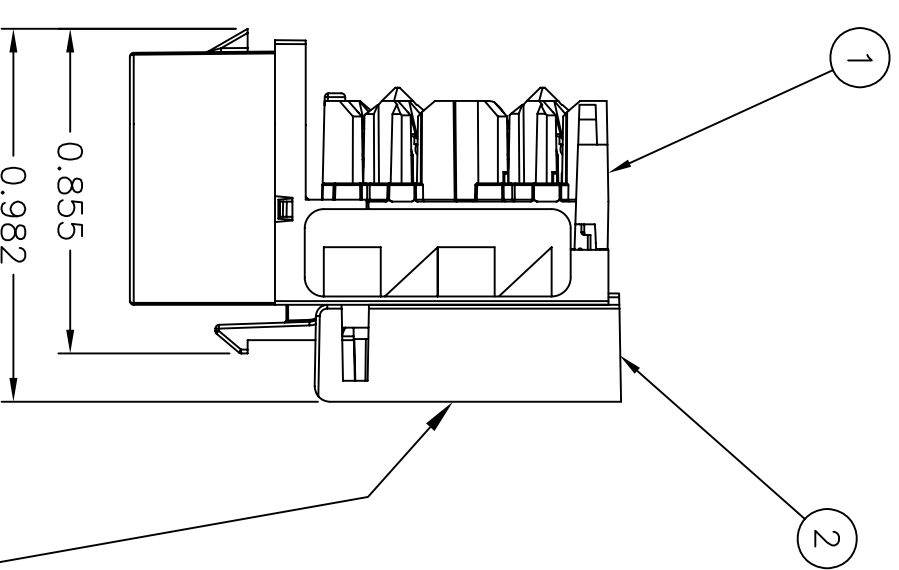
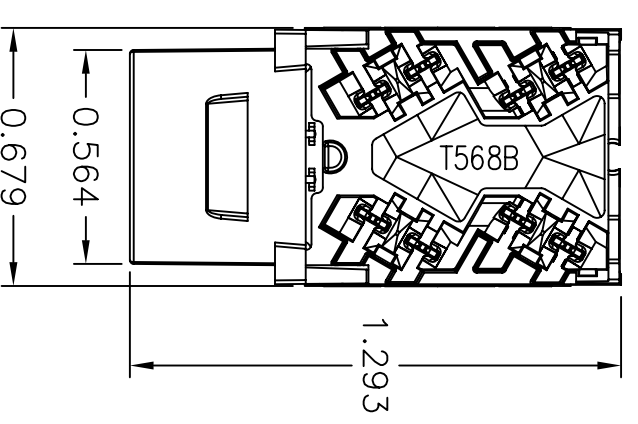


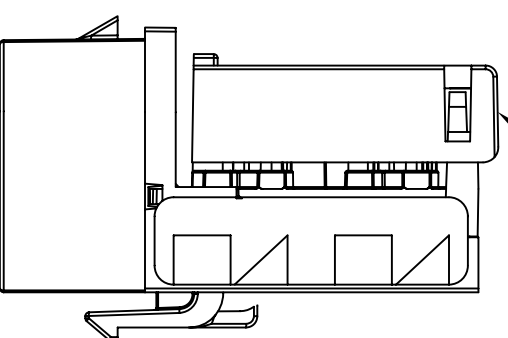
ITEM NO.	DESCRIPTION	QTY.
1	XCELERATOR HXJ6 SERIES JACKS	1
2	STUFFER CAP	1



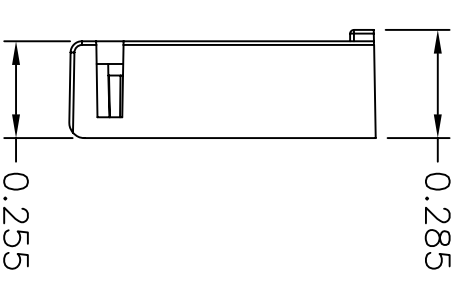
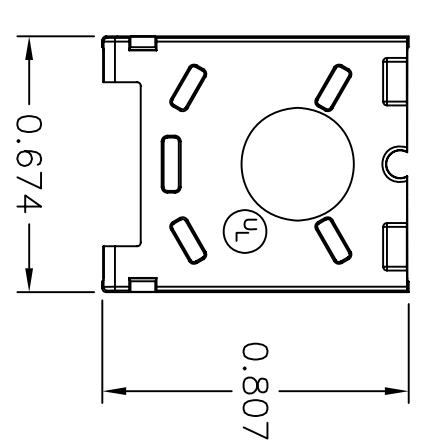
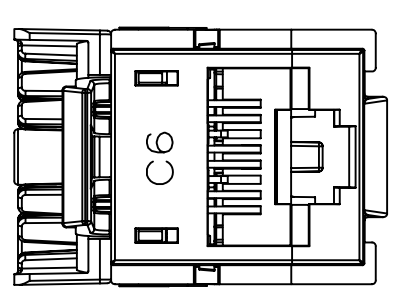
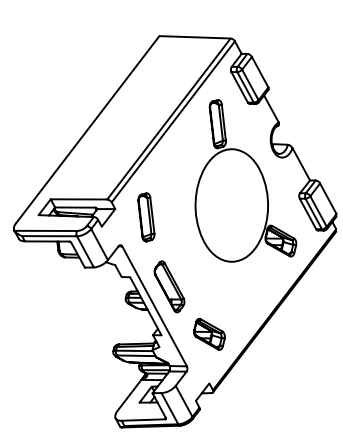
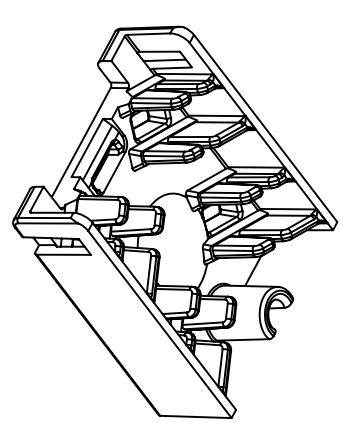
CATALOG NUMBER	25PK	CATALOG NUMBER	COLOR	LASER MARKING
HXJ6B25		HXJ6B	BLUE	X6B
HXJ6BK25		HXJ6BK	BLACK	X6BL
HXJ6EI25		HXJ6EI	ELECTRIC IVORY	X6EI
HXJ6GN25		HXJ6GN	GREEN	X6GN
HXJ6GY25		HXJ6GY	GREY	X6GY
HXJ6OW25		HXJ6OW	OFFICE WHITE	X6OW
HXJ6R25		HXJ6R	RED	X6R
HXJ6OR25		HXJ6OR	ORANGE	X6OR
HXJ6TI25		HXJ6TI	TELCO IVORY	X6TI
HXJ6W25		HXJ6W	WHITE	X6W
HXJ6Y25		HXJ6Y	YELLOW	X6Y
HXJ6AL25		HXJ6AL	ALMOND	X6AL
HXJ6LA25		HXJ6LA	LIGHT ALMOND	X6OW
HXJ6BN25		HXJ6BN	BROWN	X6BN



STUFFER CAP FULLY INSERTED IN PRETERMINATION POSITION



STUFFER CAP FULLY INSERTED IN TERMINATED POSITION



0.255

NOTES
UNLESS OTHERWISE SPECIFIED:

1. UL LISTED: E129878
2. CSA CERTIFIED: LR 80837
3. NOSE CONTACTS ARE BERYLLIUM COPPER WITH FCC COMPLIANT PRECIOUS METAL PLATING IN MATING AREA
4. IDC CONTACTS ARE ROHS COMPLIANT TIN PLATED
5. ALL CONTACTS ARE UNDERPLATED IN NICKEL
6. SPECIFICATIONS SUBJECT TO CHANGE WITHOUT NOTICE

REV.	ECN	DATE	INITIAL RELEASE	DESCRIPTION	CHG BY	APPD BY
F	16447	7/7/10	CG			

Created on AUTOCAD

DIMENSIONING AND TOLERANCE PER ANSI Y14.5M-1982
UNLESS OTHERWISE SPECIFIED, DIMENSIONS ARE IN INCHES (MM).
TOLERANCES:
.XX = ±.01 (.25)
.XXX = ±.005 (.127)
.XXXX = ±.0025 (.0635)
ANGLE TOL ±1°

IN ACCEPTING OUR DRAWINGS, BLUEPRINTS, OR SUPPORTING DOCUMENTATION FOR QUOTING OR OTHER PURPOSES, YOU AGREE NOT TO DISCLOSE TO OTHERS THE IDEAS, INFORMATION, OR DESIGNS SHOWN HEREIN, AND THAT YOU WILL MAKE NO USE OF SAME WITHOUT PERMISSION

PROJECT REFERENCE:

MATERIAL:

DRAWN BY:
P.S.MAGUIRE 03/07/2001

CHECKED BY:

APPROVED BY:

TITLE:
HUBBELL
Hubbell Premise Wiring
HUBBELL INCORPORATED (Delaware)
14 Lord's Hill Road, Stonington, Connecticut 06378

XCELERATOR
HXJ6 SERIES
JACKS

SIZE: C
DRAWING NO.: 11751C
SCALE: 2/1

SHEET 1 OF 1

REV.: F