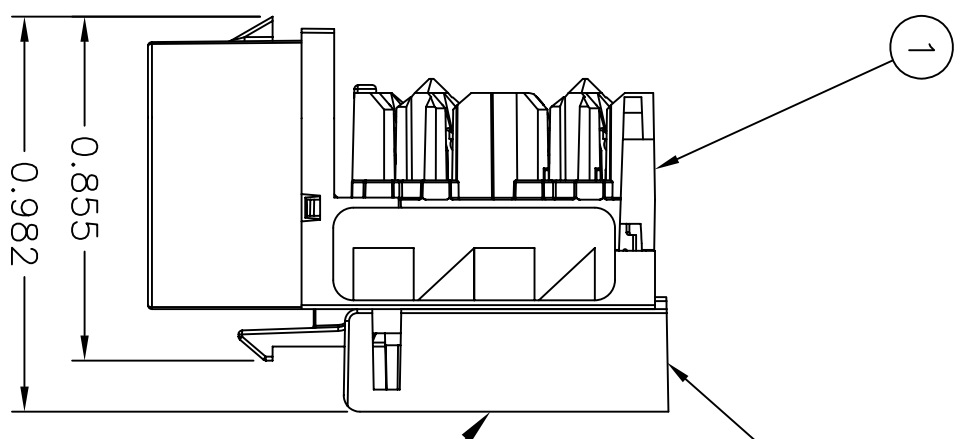
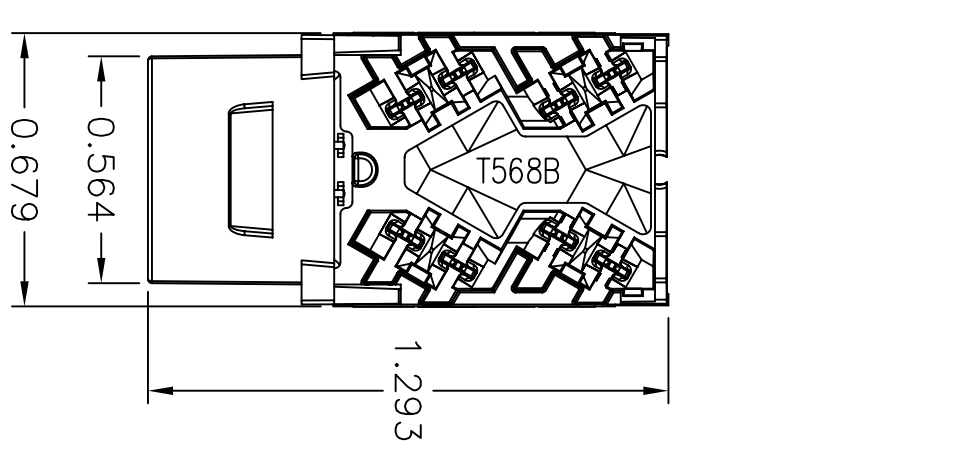
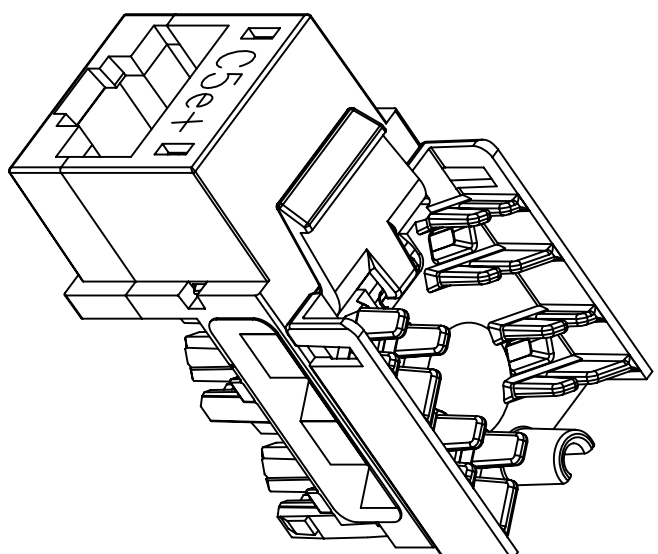
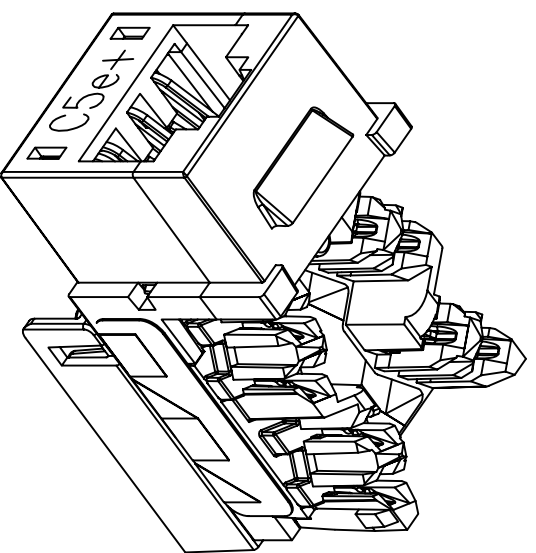
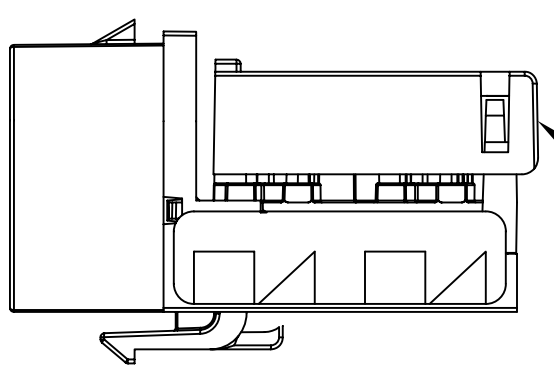


ITEM NO.	DESCRIPTION	QTY.
1	XCELERATOR HXJ5E SERIES JACKS	1
2	STUFFER CAP	1

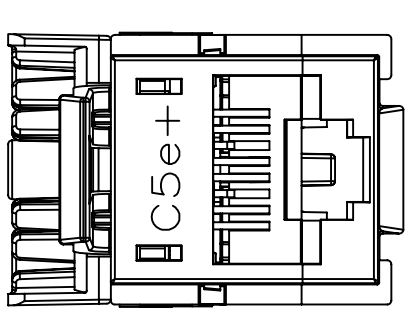
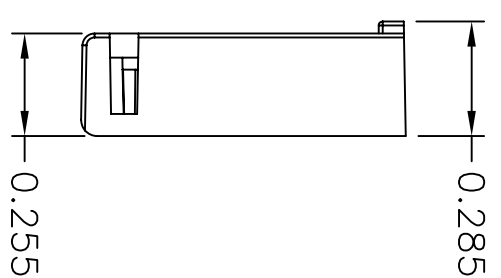
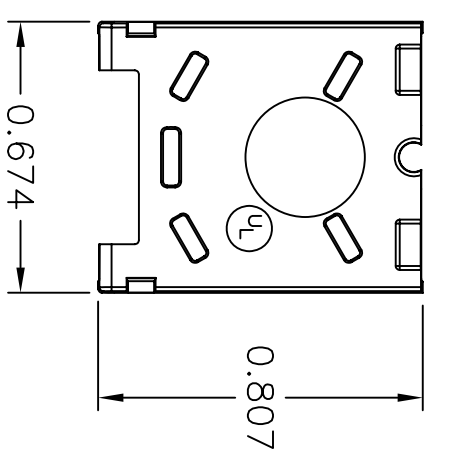
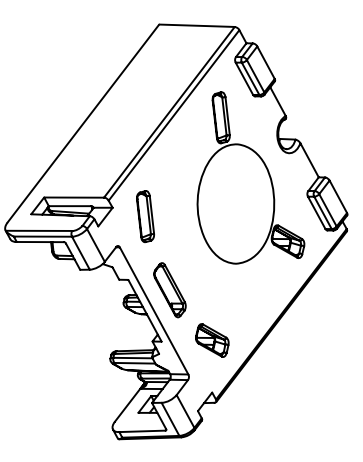
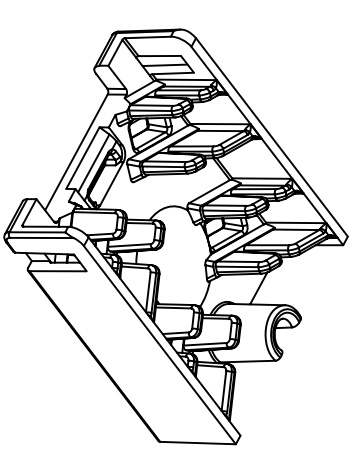
CATALOG NUMBER 25PK	CATALOG NUMBER	COLOR	LASER MARKING
HXJ5EB25	HXJ5EB	BLUE	X5EB
HXJ5EBK25	HXJ5EBK	BLACK	X5EBK
HXJ5EEI25	HXJ5EEI	ELECTRIC IVORY	X5EEI
HXJ5EGN25	HXJ5EGN	GREEN	X5EGN
HXJ5EGY25	HXJ5EGY	GRAY	X5EGY
HXJ5EOW25	HXJ5EOW	OFFICE WHITE	X5EOW
HXJ5ER25	HXJ5ER	RED	X5ER
HXJ5EOR25	HXJ5EOR	ORANGE	X5EOR
HXJ5ETI25	HXJ5ETI	TELCO IVORY	X5ETI
HXJ5EW25	HXJ5EW	WHITE	X5EW
HXJ5EY25	HXJ5EY	YELLOW	X5EY
HXJ5EAL25	HXJ5EAL	ALMOND	X5EAL
HXJ5ELA25	HXJ5ELA	LIGHT ALMOND	X5EOW
HXJ5EBN25	HXJ5EBN	BROWN	X5EBN



STUFFER CAP FULLY INSERTED IN PRETERMINATION POSITION



STUFFER CAP FULLY INSERTED IN TERMINATED POSITION



NOTES
UNLESS OTHERWISE SPECIFIED:

1. UL LISTED: E129878
2. CSA CERTIFIED: LR 80837
3. NOSE CONTACTS ARE BERYLLIUM COPPER WITH FCC COMPLIANT PRECIOUS METAL PLATING IN MATING AREA
4. IDC CONTACTS ARE ROHS COMPLIANT TIN PLATED
5. ALL CONTACTS ARE UNDERPLATED IN NICKEL
6. SPECIFICATIONS SUBJECT TO CHANGE WITHOUT NOTICE

REV.	ECN	DATE	DESCRIPTION	CHG BY	APPD BY
G	16447	7/7/10	ADDED BROWN COLOR	CG	

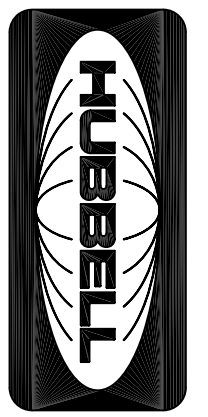
Created on AUTOCAD

DIMENSIONING AND TOLERANCE PER ANSI Y14.5M-1982
UNLESS OTHERWISE SPECIFIED, DIMENSIONS ARE IN INCHES (MM).
TOLERANCES
.XX = ±.01 (.25)
.XXX = ±.005 (.127)
.XXXX = ±.0025 (.0635)
ANGLE TOL. ±1°

IN ACCEPTING OUR DRAWINGS, BLUEPRINTS, OR SUPPORTING DOCUMENTATION FOR QUOTATION OR OTHER PURPOSES, YOU AGREE NOT TO DISCLOSE TO OTHERS THE IDEAS, INFORMATION, OR DESIGNS SHOWN HEREIN, AND THAT YOU WILL MAKE NO USE OF SAME WITHOUT PERMISSION

PROJECT REFERENCE:
MATERIAL:

DRAWN BY: P.S. MAGUIRE 03/01/2001
CHECKED BY: H. MCGREGOR 03/07/2001
APPROVED BY: H. MCGREGOR 03/07/2001



Hubbell Premise Wiring
HUBBELL INCORPORATED (Delaware)
14 Lord's Hill Road, Stonington, Connecticut 06378

TITLE: XCELERATOR HXJ5E SERIES JACKS

SIZE: C
DRAWING NO.: C11295
SCALE: 2/1
SHEET 1 OF 1

REV. G