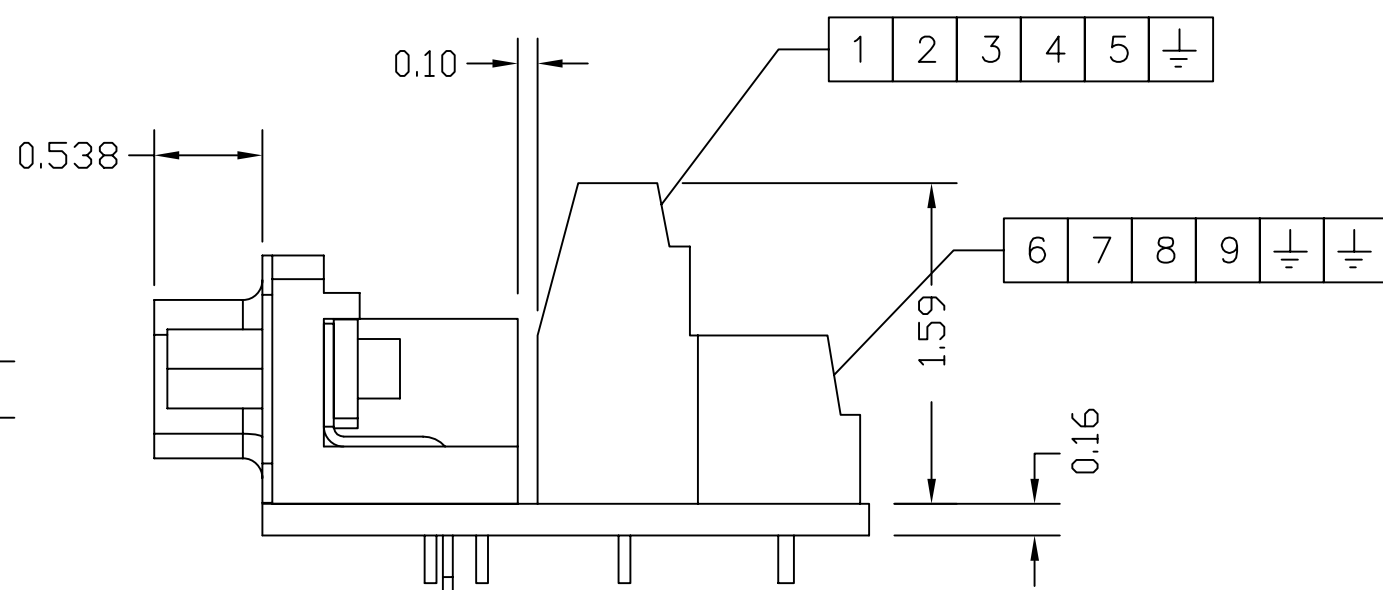
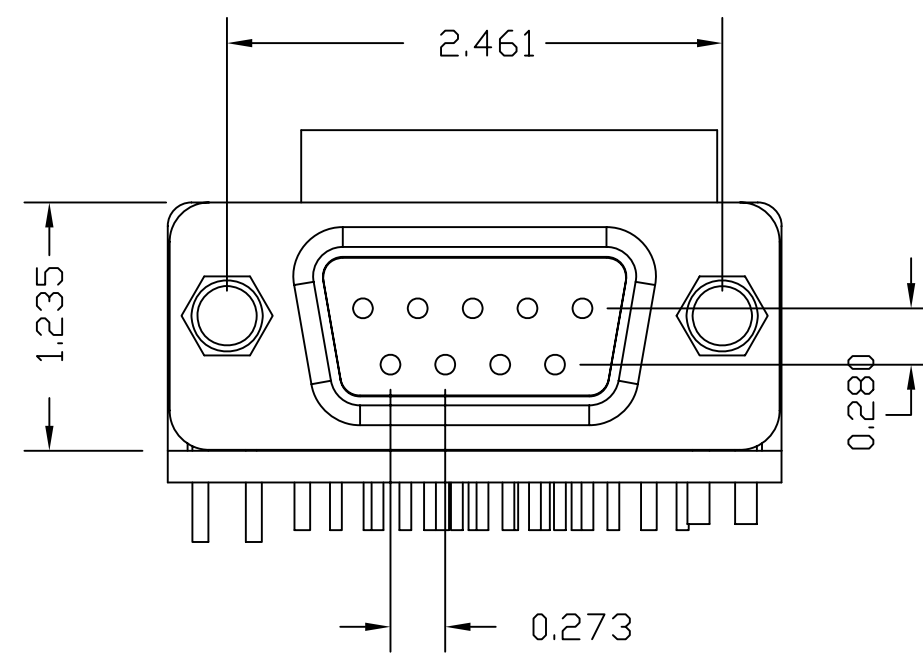
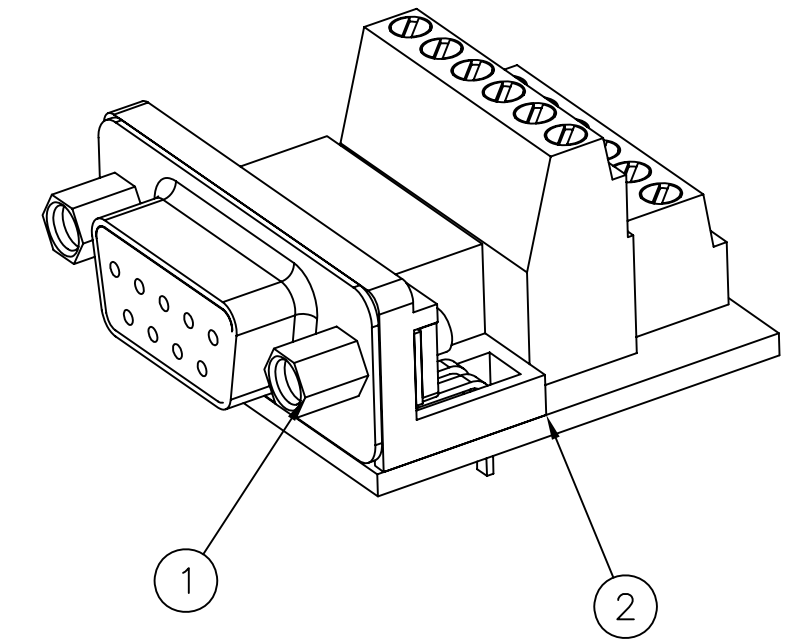
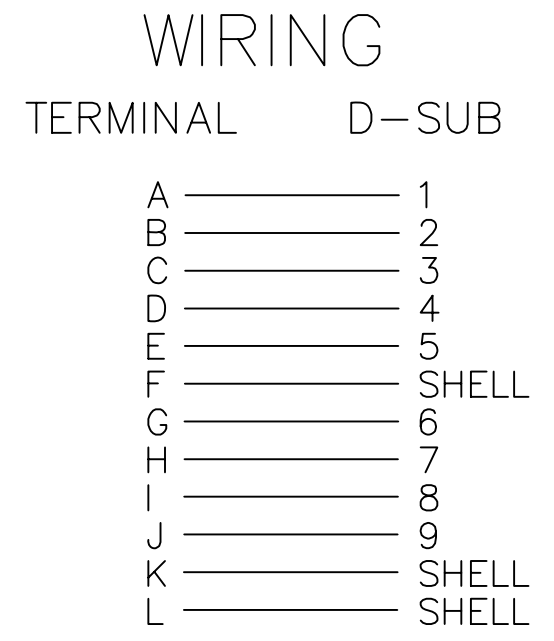
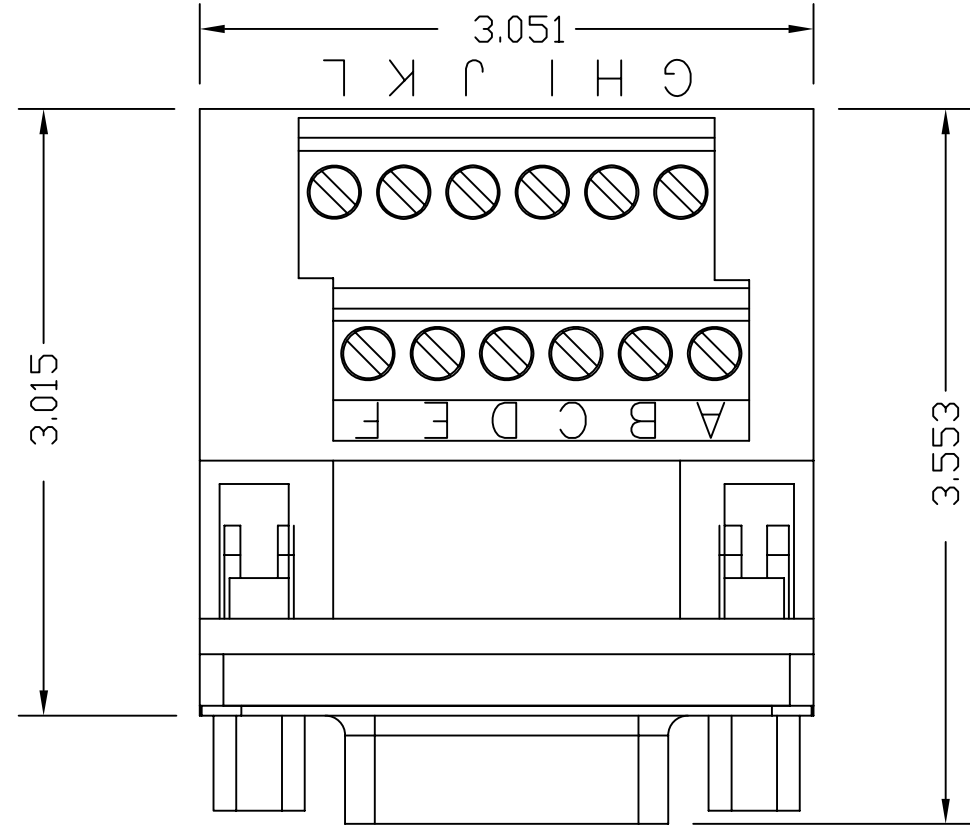


6	5	4	3	2	1
ITEM NO.	DESCRIPTION	QTY.	CATALOG NUMBER	DESCRIPTION	
1	4-40 THREADED STUD/NUT	2	9ST10	9-PIN D-SUB, FEMALE SCREW TERMINAL	
2	9-PIN D-SUB, FEMALE SCREW TERMINAL	1			



- NOTES
UNLESS OTHERWISE SPECIFIED:
- SOLD IN CARTON INCREMENTS ONLY. CARTON CONTAINS 10 MODULES (INDIVIDUALLY BAGGED).
 - CATALOG NUMBER DENOTES THE NUMBER OF PINS IN D-SUB AND CARTON INCREMENTS.
 - HIGH DENSITY STYLE D-SUB FOOTPRINT.
 - SPECIFICATIONS SUBJECT TO CHANGE WITHOUT NOTICE.

Created on AUTOCAD	DIMENSIONING AND TOLERANCE PER ANSI Y14.5M-1982 UNLESS OTHERWISE SPECIFIED, DIMENSIONS ARE IN INCHES (MM). TOLERANCES .XX = ±.01 (.25) .XXX = ±.005 (.127) .XXX = ±.0025 (.0635) ANGLE TOL ±1°	PROJECT REFERENCE:	Hubbell Premise Wiring HUBBELL INCORPORATED (Delaware) 14 Lord's Hill Road, Stonington, Connecticut 06378	
	IN ACCEPTING OUR DRAWINGS, BLUEPRINTS, OR SUPPORTING DOCUMENTATION FOR QUOTATION OR OTHER PURPOSES, YOU AGREE NOT TO DISCLOSE TO OTHERS THE IDEAS, INFORMATION, OR DESIGNS SHOWN HEREIN, AND THAT YOU WILL MAKE NO USE OF SAME WITHOUT PERMISSION	MATERIAL:		TITLE: JACKS/CONNECTORS MULTIMEDIA MODULES AND CONNECTORS 9-PIN D-SUB, FEMALE SCREW TERMINAL
	APPROVED BY:	DRAWN BY: MMA 02/01/07	SIZE: C	DRAWING NO.: HWS12495C
	CHECKED BY:	APPROVED BY:	SCALE: 1/1	SHEET 1 OF 1

A	6017	02/01/07	INITIAL RELEASE	MMA	
REV.	ECN	DATE	DESCRIPTION	CHG BY	APPD BY

A