

CADDY[®]

CADDY[®] CAT LINKS



Unleash the versatility



ERICO[®]

CADDY® CAT LINKS: Overview

CADDY® CAT LINKS is the most technologically advanced cable support system from ERICO. CADDY CAT LINKS is UL® listed and meets fire rating requirements for DIN 4102-12 for 30 minutes (E30). It is designed to meet the growing market trend of larger diameter cable sizes from the cable industry.



MAJOR FEATURES:

- **INNOVATIVE*:** Wide-base design with smooth, beveled edges provides a large bending radius for 10 Gb Systems for all J-Hook sizes. CADDY CAT LINKS meets ISO/IEC 18010, TIA-569-B and is used for large diameter cable, including Cat 6a & Cat 7.
- **VERSATILE:** Accommodates a variety of attachment methods – threaded rod, wall mount, etc. and is expandable for additional integrated pathways.
- **INTERCHANGEABLE:** All J-Hooks can be attached to other fasteners in multiple configurations.
 - J-Hook- to- J-Hook
 - (using tree mounting bracket CATHPTM)
 - J-Hook to fasteners
- **USER FRIENDLY:** Requires no screws, rivets, or special tools for installation of fastener assemblies, tree bracket assemblies or puller assemblies.
- **ECONOMICAL:** Less time and labor are required for the CADDY CAT LINKS system installation compared to cable tray systems, and no grounding is necessary.
- **EASY IDENTIFICATION:** Color coded for easy identification of various cable runs (i.e. security, call center, etc.)



* Patents pending

CADDY® CAT LINKS: Cutting-Edge

CADDY® CAT LINKS offers the largest family of J-Hook sizes on the market. The full range provides a bending radius that meets TIA standards for Cat 6a and easily accommodates Cat 7, large-diameter optical fiber, innerduct and coax cable.

Featuring a wide base with smooth beveled edges, the CADDY CAT LINKS helps provide a secure and stable installation.



Wide base and beveled edges reduce friction and offer less vertical compaction of cables

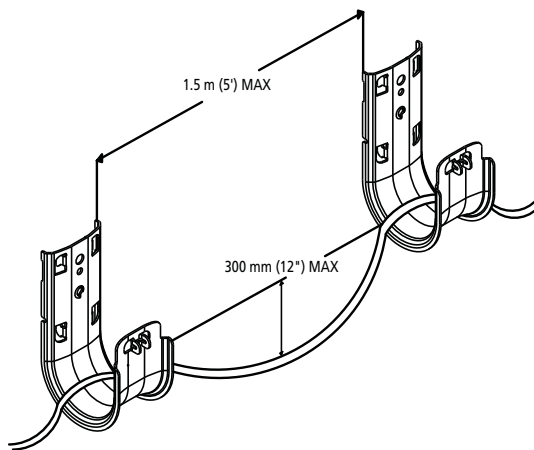


Bendable locking tabs provide rigidity and stability for all J-Hook assemblies



Wide-base design provides the bend radius needed for large diameter cable, such as Cat 6a and Cat 7

Unpainted	Part Number						Part Description	Box Qty.	Wt/Box (lbs)	Product Family
	Red	Blue	White	Yellow	Black	Green				
CAT16HP	CAT16HPRD	CAT16HPBU	CAT16HPWH	CAT16HPYL	CAT16HPBA	CAT16HPGR	1 inch J-Hook	50	8.60	MH
CAT32HP	CAT32HPRD	CAT32HPBU	CAT32HPWH	CAT32HPYL	CAT32HPBA	CAT32HPGR	2 inch J-Hook	50	13.70	MH
CAT48HP	CAT48HPRD	CAT48HPBU	CAT48HPWH	CAT48HPYL	CAT48HPBA	CAT48HPGR	3 inch J-Hook	25	10.88	MH
CAT64HP	CAT64HPRD	CAT64HPBU	CAT64HPWH	CAT64HPYL	CAT64HPBA	CAT64HPGR	4 inch J-Hook	25	12.93	MH



Available in 1" (CAT16HP), 2" (CAT32HP), 3" (CAT48HP) and 4" (CAT64HP) sizes for a greater number of cables

Cable Management: Versatility & Interchangeability

The CADDY® CAT LINKS J-Hook System is quick to install and is compatible with a wide variety of CADDY fasteners.

To support a large amount of cable, J-Hook trees can be quickly and easily assembled on site in many size combinations without requiring special tools.

Tree versatility also provides an easy assembly for numerous pathway combinations. J-Hook trees can be easily configured to support the amount of cable being run per J-Hook and the types and number of cable pathways needed.

CADDY CAT LINKS is designed to accommodate high-performance cabling upgrades, which will help eliminate the need to replace your infrastructure if additional cable or pathways are added.

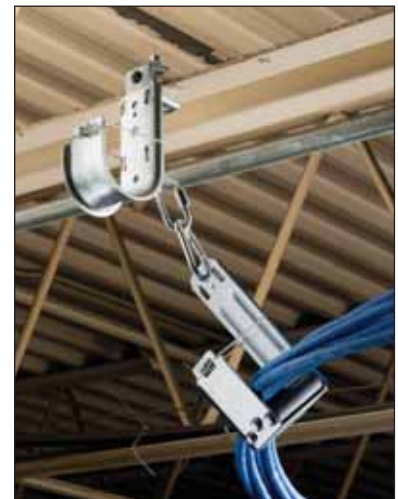
Part Number	Part Description	Box Qty.	Wt/Box (lbs)	Product Family
CATHPAN	Angle bracket with 3/16" Mounting Hole	50	1.70	MH
CATHPA4	Angle bracket with 1/4" Threaded Rod Mounting Hole	50	1.65	MH
CATHPA6	Angle bracket with 3/8" Threaded Rod Mounting Hole	50	1.65	MH
CATHPS4	Straight bracket with .282" Mounting Hole	50	1.05	MH
CATHPTM	Tree mounting bracket	50	2.70	MH
CATHP24	Hammer-on assembly for 1/4"-1/8" flange with 360° rotation	25	2.13	MH
CATHP58	Hammer-on assembly for 5/16"-1/2" flange with 360° rotation	25	2.25	MH
CATHP912	Hammer-on assembly for 1/2"-3/4" flange with 360° rotation	25	2.63	MH
CATHPCB	Screw-on beam assembly for 1/8"-1/2" flange with 360° rotation	25	2.13	MH
CATHPC200B	Screw-on beam assembly for 1/8"-5/8" flange with 360° rotation	25	3.60	MH
CATHP24SM	Hammer-on assembly for 1/8"-1/4" flange	50	2.60	MH
CATHP58SM	Hammer-on assembly for 5/16"-1/2" flange	50	2.75	MH
CATHP912SM	Hammer-on assembly for 1/2"-3/4" flange	25	1.50	MH
CATHPBC	Screw-on beam assembly for 1/8"-1/2" flange	50	3.50	MH
CATHPBC200	Screw-on beam assembly for 1/8"-5/8" flange	25	3.43	MH
CATHPAF14	Z purlin assembly for 1/16"-1/4" flange	50	3.10	MH
CATHPVF14	C purlin assembly for 1/16"-1/4" vertical flange	50	3.40	MH
CATHPESC	Easy strut assembly	50	2.20	MH
CATHP4Z34	Rod/flange assembly for #12 SWG - 1/4" wire or plain rod, 1/4" threaded rod & 1/8"-3/8" flange	50	2.30	MH
CATHP6Z34	Rod/flange assembly for 3/8" threaded rod & 3/8"-9/16" flange	50	2.25	MH
CATHPCD0B	Underfloor assembly for 3/4" round pedestal	25	1.78	MH
CATHPCD1B	Underfloor assembly for 7/8"-1" round pedestal or 3/4" square pedestal	25	2.40	MH
CATHPCD2B	Underfloor assembly for 7/8" square pedestal	25	2.85	MH
CATHPCD2.5B	Underfloor assembly for 1" square pedestal	25	3.05	MH
CAT16HPTS	Acoustical tee bar assembly	25	7.25	MH
CATHPLR	Cable puller for CATHP	2	1.80	MH



Strut assembly using CATHPESC



CATHP6Z34 for 3/8" threaded rod and 3/8" - 9/16" flange



CATHPLR cable puller assembly



Cable Management: Versatility & Interchangeability



**CATHP912
Hammer-on
Assembly**

for 1/2" – 3/4"
flange with
360° rotation



**CATHPBC200B
Screw-on Beam
Assembly**

for 1/8" – 5/8"
flange with
360° rotation



**CATHPBCB
Screw-on Beam
Assembly**

for 1/8" – 1/2"
flange with
360° rotation



**CATHP6Z34
Rod/Flange
Assembly**

for 3/8" threaded
rod & 3/8" –
9/16" flange



**CATHPAF14
Z Purlin
Assembly**

for 1/16" – 1/4"
flange



**CATHPCD2B
Underfloor
Assembly**

for 7/8" square
pedestal

- Interchangeable with a variety of accessories
- One bracket fits all J-Hook sizes
- Easy-to-assemble bracket simplifies J-Hook attachment for a variety of configurations



**CATHPA6
Angle Bracket**

Mounting hole 3/8"
threaded rod



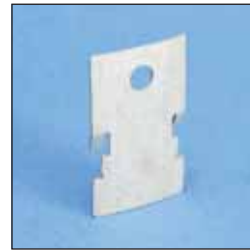
**CATHPA4
Angle Bracket**

Mounting hole 1/4"
threaded rod



**CATHPAN
Angle Bracket**

3/16" Mounting hole
nail bracket



**CATHPS4
Straight Bracket**

.282" mounting hole



**CATHPTM
Tree Mounting Bracket**

Joins any two J-Hooks
without tools



CAT48HP tree assembly



Hammer-on assembly, 360° rotation



**CATHPBCB for 1/8" – 1/2" flange
with 360° rotation**



**CADDY® CAT LINKS branching off from
a CADDY® CAT CM**

CADDY® CAT LINKS: User-Friendly

The CADDY® CAT LINKS is easy to install on-site without any need for special tools. It also allows other trades to add on to the bottom of the J-Hook.

TREE BRACKET INSTALLATION:



Step 1:
Firmly hold the J-Hook to prepare for assembly



Step 2:
Hook the Tree Mounting Bracket into the Locking Tabs and press-fit into position. The Tree Mounting Bracket should be mounted flush to the J-Hook



Step 3:
Hook the Locking Tabs of the second J-Hook to the other end of the Tree Mounting Bracket

ANGLE BRACKET ASSEMBLY:



Step 1:
Firmly hold the J-Hook and Angle Bracket for assembly



Step 2:
Hook the Angle Bracket assembly into the J-Hook and press-fit into position



Step 3:
Using a screwdriver, bend the Locking Tabs to firmly secure the J-Hook Assembly



CADDY® CAT LINKS: Economical

CADDY® CAT LINKS uses less material than tray systems because it is not a continuous pathway, and CADDY CAT LINKS requires less time and labor in the construction of the total installed system. Its all steel construction provides superior fire resistant performance and meets DIN 4102-12 (E30). And unlike basket and cable tray, grounding is not necessary.

Utilizing all metal construction, CADDY CAT LINKS meets worldwide standards and is ideal for use in multiple applications.

Versatility of multiple CADDY CAT LINKS configurations means fewer components to stock and less inventory to manage.

The expanded CADDY CAT LINKS product line offers J-Hooks in a wider variety of sizes – from 1” through 4” – so contractors can select the J-Hook that is most economical for each installation. In addition, the CADDY CAT LINKS product line is completely modular – translating into inventory cost savings for both distributors and contractors. Rather than stocking J-Hook trees in a variety of configurations, simply stock the individual components and trees can be assembled as required.



RECOMMENDED CABLE FILL

	Dia. (inch)	CSA (sq. in.)	Cat. 5e & Fiber	Cat. 6	Cat 6a		Cat. 7
					min.	max.	
Cable Dia.			0.207	0.261	0.300	0.354	0.354
CAT16HP	1	1.07	20	15	10	7	7
CAT32HP	2	3.97	90	60	35	25	25
CAT48HP	3	9.26	200	150	80	60	60
CAT64HP	4	15.48	330	220	140	100	100

CSA = Cross-Sectional Area

WARNING

ERICO products shall be installed and used only as indicated in ERICO's product instruction sheets and training materials. Instruction sheets are available at www.erico.com and from your ERICO customer service representative. Improper installation, misuse, misapplication or other failure to completely follow ERICO's instructions and warnings may cause product malfunction, property damage, serious bodily injury and death.

WARRANTY

ERICO products are warranted to be free from defects in material and workmanship at the time of shipment. NO OTHER WARRANTY, WHETHER EXPRESS OR IMPLIED (INCLUDING ANY WARRANTY OF MERCHANTABILITY OR FITNESS FOR A PARTICULAR PURPOSE), SHALL EXIST IN CONNECTION WITH THE SALE OR USE OF ANY ERICO PRODUCTS. Claims for errors, shortages, defects or nonconformities ascertainable upon inspection must be made in writing within 5 days after Buyer's receipt of products. All other claims must be made in writing to ERICO within 6 months from the date of shipment or transport. Products claimed to be nonconforming or defective must, upon ERICO's prior written approval in accordance with its standard terms and procedures governing returns, promptly be returned to ERICO for inspection. Claims not made as provided above and within the applicable time period will be barred. ERICO shall in no event be responsible if the products have not been stored or used in accordance with its specifications and recommended procedures. ERICO will, at its option, either repair or replace nonconforming or defective products for which it is responsible or return the purchase price to the Buyer. THE FOREGOING STATES BUYER'S EXCLUSIVE REMEDY FOR ANY BREACH OF ERICO WARRANTY AND FOR ANY CLAIM, WHETHER SOUNDING IN CONTRACT, TORT OR NEGLIGENCE, FOR LOSS OR INJURY CAUSED BY THE SALE OR USE OF ANY PRODUCT.

LIMITATION OF LIABILITY

ERICO excludes all liability except such liability that is directly attributable to the willful or gross negligence of ERICO's employees. Should ERICO be held liable its liability shall in no event exceed the total purchase price under the contract. ERICO SHALL IN NO EVENT BE RESPONSIBLE FOR ANY LOSS OF BUSINESS OR PROFITS, DOWNTIME OR DELAY, LABOR, REPAIR OR MATERIAL COSTS OR ANY SIMILAR OR DISSIMILAR CONSEQUENTIAL LOSS OR DAMAGE INCURRED BY BUYER.

BICSI is a registered trademark of BICSI, Inc.

IEC is a registered service mark of Independent Electrical Contractors, Inc.

ISO is a registered service mark of the International Organization for Standardization.

TIA is a registered service mark of Telecommunications Industry Association.

UL is a registered trademark of Underwriters Laboratories, Inc.

ERICO®



www.erico.com



AUSTRALIA
Phone 1-800-263-508
Fax 1-800-423-091



CHINA
Phone +86-21-3430-4878
Fax +86-21-5831-8177



HUNGARY
Phone 06-800-16538
Fax +39-0244-386-107



NORWAY
Phone 800-100-73
Fax 800-100-66



SWITZERLAND
Phone 0800-55-86-97
Fax 0800-55-96-15



BELGIUM
Phone 0800-757-48
Fax 0800-757-60



DENMARK
Phone 808-89-372
Fax 808-89-373



INDONESIA
Phone +62-21-575-0941
Fax +62-21-575-0942



POLAND
Phone +48-71-349-04-60
Fax +48-71-349-04-61



THAILAND
Phone +66-2-267-5776
Fax +66-2-636-6988



BRAZIL
Phone +55-11-3623-4333
Fax +55-11-3621-4066



FRANCE
Phone 0-800-901-793
Fax 0-800-902-024



ITALY
Phone 800-870-938
Fax 800-873-935



SINGAPORE
Phone +65-6-268-3433
Fax +65-6-268-1389



UNITED ARAB EMIRATES
Phone +971-4-881-7250
Fax +971-4-881-7270



CANADA
Phone +1-800-677-9089
Fax +1-800-677-8131



GERMANY
Phone 0-800-189-0272
Fax 0-800-189-0274



MEXICO
Phone +52-55-5260-5991
Fax +52-55-5260-3310



SPAIN
Phone 900-993-154
Fax 900-807-333



UNITED KINGDOM
Phone 0808-2344-670
Fax 0808-2344-676



CHILE
Phone +56-2-370-2908
Fax +56-2-369-5657



HONG KONG
Phone +852-2764-8808
Fax +852-2764-4486



NETHERLANDS
Phone 0800-0200-135
Fax 0800-0200-136



SWEDEN
Phone 020-790-908
Fax 020-798-964



UNITED STATES
Phone 1-800-753-9221
Fax +1-440-248-0723