

CONCEPT™ Wall-Mount Enclosures

CONCEPT™, Type 4 and 12



Industry Standards

Wall-mounting brackets required to maintain UL/CSA external mounting requirement.

CONCEPT solid single-door, door with window and flush-mount models

UL 508A Listed; Type 4, 12; File No. E61997
cUL Listed per CSA C22.2 No. 94; Type 4, 12; File No. E61997

NEMA/EEMAC Type 4, 12, 13
CSA, File No. 42186; Type 4, 12
VDE IP66
IEC 60529, IP66

CONCEPT two-door models

UL 508A Listed; Type 12; File No. E61997
cUL Listed per CSA C22.2 No. 94; Type 12; File No. E61997

NEMA/EEMAC Type 12
CSA, File No. 42186, Type 12
VDE IP 55
IEC 60529, IP55

Application

CONCEPT™ Enclosures are ideal for machine control applications. With streamlined styling, flush quarter-turn latches and an attractive, durable finish. Available in solid or window single-door and two-door landscape, flush-mount and sloped-top versions for application and mounting flexibility. Two-door landscape models provide full-width access and easy panel installation.

Specifications

- 14, 16 or 18 gauge steel (see table)
- Seams continuously welded and ground smooth
- Corner-formed doors
- Simple easy-to-remove and install hinge pins with built-in captivation clip
- High-torque threadless studs and fasteners on door
- Minimum-width body flange provides maximum door opening (210 degrees)
- External formed body flange
- Panel mounting studs fit optional CONCEPT panels and other accessories
- Mounting holes in back of body for optional external wall-mount brackets
- Hidden hinges
- Doors are interchangeable and easily removed by pulling clip-style hinge pins
- Seamless foam-in-place gasket
- Quarter-turn slotted latch(es)
- Door alignment device on doors wider than 30 in.
- Four hinges on 60-in.-high enclosures
- Grounding stud on body; bonding provision on door (except window-door models)
- Provisions for thermoplastic data pocket (right-hand hinged door on two-door models)
- Hardware kit with panel mounting nuts, panel grounding hardware and sealing washers
- Single-door enclosures have a three-point latch system on enclosures where A is equal to or greater than 42-in. with quarter-turn, slotted latch
- Window-door enclosures have a clear polycarbonate window flush with door surface
- Mounting frame on flush-mount enclosures extends completely around enclosure
- Two-door enclosures have a overlapping door design which provides full-width access
- Two door enclosures have a three-point latch system on right-hand hinged door furnished with flush slotted insert
- Illustrated instruction sheet

Finish

Two standard finishes are available: ANSI 61 gray or RAL 7035 textured light-gray polyester powder paint inside and out.

Accessories

Door Stop Kit
Handles
Lock Inserts
CONCEPT™ Panels
Mounting-Bracket Kits

Modification and Customization

Hoffman excels at modifying and customizing products to your specifications. Contact your local Hoffman sales office or distributor for complete information.

Bulletin: CW1



CONCEPT™ Wall-Mount Enclosures

Standard Product Single-Door Enclosures

| Catalog Number | AxBxC in./mm | Finish | Door Ga. | Body Ga. | CONCEPT Panel | Conductive CONCEPT Panel | Panel Size D x E in./mm | Mounting G x H in./mm | Latches qty. | Latches style | J in./mm |
|----------------|---|-------------------|----------|----------|---------------|--------------------------|----------------------------|----------------------------|--------------|---------------|--------------|
| CSD121226 | 12.00 x 12.00 x 6.00 305 x 305 x 152 | ANSI 61 Gray | 16 | 18 | CP1212 | CP1212G | 10.20 x 10.20 259 x 259 | 10.50 x 10.50 267 x 267 | 1 | Quarter-turn | 6.00 152 |
| CSD12126LG | 12.00 x 12.00 x 6.00 305 x 305 x 152 | RAL 7035 Lt. Gray | 16 | 18 | CP1212 | CP1212G | 10.20 x 10.20 259 x 259 | 10.50 x 10.50 267 x 267 | 1 | Quarter-turn | 6.00 152 |
| CSD16126 | 16.00 x 12.00 x 6.00 406 x 305 x 152 | ANSI 61 Gray | 16 | 18 | CP1612 | CP1612G | 14.20 x 10.20 361 x 259 | 14.50 x 10.50 368 x 267 | 1 | Quarter-turn | 8.00 203 |
| CSD16126LG | 16.00 x 12.00 x 6.00 406 x 305 x 152 | RAL 7035 Lt. Gray | 16 | 18 | CP1612 | CP1612G | 14.20 x 10.20 361 x 259 | 14.50 x 10.50 368 x 267 | 1 | Quarter-turn | 8.00 203 |
| CSD16166 | 16.00 x 16.00 x 6.00 406 x 406 x 152 | ANSI 61 Gray | 16 | 18 | CP1616 | CP1616G | 14.20 x 14.20 361 x 361 | 14.50 x 14.50 368 x 368 | 1 | Quarter-turn | 8.00 203 |
| CSD16166LG | 16.00 x 16.00 x 6.00 406 x 406 x 152 | RAL 7035 Lt. Gray | 16 | 18 | CP1616 | CP1616G | 14.20 x 14.20 361 x 361 | 14.50 x 14.50 368 x 368 | 1 | Quarter-turn | 8.00 203 |
| CSD16206 | 16.00 x 20.00 x 6.00 406 x 508 x 152 | ANSI 61 Gray | 16 | 18 | CP2016 | CP2016G | 18.20 x 14.20 462 x 361 | 14.50 x 18.50 368 x 470 | 1 | Quarter-turn | 8.00 203 |
| CSD16206LG | 16.00 x 20.00 x 6.00 406 x 508 x 152 | RAL 7035 Lt. Gray | 16 | 18 | CP2016 | CP2016G | 18.20 x 14.20 462 x 361 | 14.50 x 18.50 368 x 470 | 1 | Quarter-turn | 8.00 203 |
| CSD20166 | 20.00 x 16.00 x 6.00 508 x 406 x 152 | ANSI 61 Gray | 16 | 18 | CP2016 | CP2016G | 18.20 x 14.20 462 x 361 | 18.50 x 14.50 470 x 368 | 1 | Quarter-turn | 10.00 254 |
| CSD20166LG | 20.00 x 16.00 x 6.00 508 x 406 x 152 | RAL 7035 Lt. Gray | 16 | 18 | CP2016 | CP2016G | 18.20 x 14.20 462 x 361 | 18.50 x 14.50 470 x 368 | 1 | Quarter-turn | 10.00 254 |
| CSD20206 | 20.00 x 20.00 x 6.00 508 x 508 x 152 | ANSI 61 Gray | 16 | 18 | CP2020 | CP2020G | 18.20 x 18.20 462 x 462 | 18.50 x 18.50 470 x 470 | 1 | Quarter-turn | 10.00 254 |
| CSD20206LG | 20.00 x 20.00 x 6.00 508 x 508 x 152 | RAL 7035 Lt. Gray | 16 | 18 | CP2020 | CP2020G | 18.20 x 18.20 462 x 462 | 18.50 x 18.50 470 x 470 | 1 | Quarter-turn | 10.00 254 |
| CSD24166 | 24.00 x 16.00 x 6.00 610 x 406 x 152 | ANSI 61 Gray | 16 | 18 | CP2416 | CP2416G | 22.20 x 14.20 564 x 361 | 22.50 x 14.50 572 x 368 | 1 | Quarter-turn | 12.00 305 |
| CSD24166LG | 24.00 x 16.00 x 6.00 610 x 406 x 152 | RAL 7035 Lt. Gray | 16 | 18 | CP2416 | CP2416G | 22.20 x 14.20 564 x 361 | 22.50 x 14.50 572 x 368 | 1 | Quarter-turn | 12.00 305 |
| CSD24206 | 24.00 x 20.00 x 6.00 610 x 508 x 152 | ANSI 61 Gray | 16 | 18 | CP2420 | CP2420G | 22.20 x 18.20 564 x 462 | 22.50 x 18.50 572 x 470 | 1 | Quarter-turn | 12.00 305 |
| CSD24206LG | 24.00 x 20.00 x 6.00 610 x 508 x 152 | RAL 7035 Lt. Gray | 16 | 18 | CP2420 | CP2420G | 22.20 x 18.20 564 x 462 | 22.50 x 18.50 572 x 470 | 1 | Quarter-turn | 12.00 305 |
| CSD24246 | 24.00 x 24.00 x 6.00 610 x 610 x 152 | ANSI 61 Gray | 14 | 16 | CP2424 | CP2424G | 22.20 x 22.20 564 x 564 | 22.50 x 22.50 572 x 572 | 2 | Quarter-turn | 5.00 127 |
| CSD24246LG | 24.00 x 24.00 x 6.00 610 x 610 x 152 | RAL 7035 Lt. Gray | 14 | 16 | CP2424 | CP2424G | 22.20 x 22.20 564 x 564 | 22.50 x 22.50 572 x 572 | 2 | Quarter-turn | 5.00 127 |
| CSD16128 | 16.00 x 12.00 x 8.00 406 x 305 x 203 | ANSI 61 Gray | 16 | 18 | CP1612 | CP1612G | 14.20 x 10.20 361 x 259 | 14.50 x 10.50 368 x 267 | 1 | Quarter-turn | 8.00 203 |
| CSD16128LG | 16.00 x 12.00 x 8.00 406 x 305 x 203 | RAL 7035 Lt. Gray | 16 | 18 | CP1612 | CP1612G | 14.20 x 10.20 361 x 259 | 14.50 x 10.50 368 x 267 | 1 | Quarter-turn | 8.00 203 |
| CSD16168 | 16.00 x 16.00 x 8.00 406 x 406 x 203 | ANSI 61 Gray | 16 | 18 | CP1616 | CP1616G | 14.20 x 14.20 361 x 361 | 14.50 x 14.50 368 x 368 | 1 | Quarter-turn | 8.00 203 |
| CSD16168LG | 16.00 x 16.00 x 8.00 406 x 406 x 203 | RAL 7035 Lt. Gray | 16 | 18 | CP1616 | CP1616G | 14.20 x 14.20 361 x 361 | 14.50 x 14.50 368 x 368 | 1 | Quarter-turn | 8.00 203 |
| CSD16208 | 16.00 x 20.00 x 8.00 406 x 508 x 203 | ANSI 61 Gray | 16 | 18 | CP2016 | CP2016G | 18.20 x 14.20 462 x 361 | 14.50 x 18.50 368 x 470 | 1 | Quarter-turn | 8.00 203 |
| CSD16208LG | 16.00 x 20.00 x 8.00 406 x 508 x 203 | RAL 7035 Lt. Gray | 16 | 18 | CP2016 | CP2016G | 18.20 x 14.20 462 x 361 | 14.50 x 18.50 368 x 470 | 1 | Quarter-turn | 8.00 203 |
| CSD20168 | 20.00 x 16.00 x 8.00 508 x 406 x 203 | ANSI 61 Gray | 16 | 18 | CP2016 | CP2016G | 18.20 x 14.20 462 x 361 | 18.50 x 14.50 470 x 368 | 1 | Quarter-turn | 10.00 254 |
| CSD20168LG | 20.00 x 16.00 x 8.00 508 x 406 x 203 | RAL 7035 Lt. Gray | 16 | 18 | CP2016 | CP2016G | 18.20 x 14.20 462 x 361 | 18.50 x 14.50 470 x 368 | 1 | Quarter-turn | 10.00 254 |
| CSD20208 | 20.00 x 20.00 x 8.00 508 x 508 x 203 | ANSI 61 Gray | 16 | 18 | CP2020 | CP2020G | 18.20 x 18.20 462 x 462 | 18.50 x 18.50 470 x 470 | 1 | Quarter-turn | 10.00 254 |
| CSD20208LG | 20.00 x 20.00 x 8.00 508 x 508 x 203 | RAL 7035 Lt. Gray | 16 | 18 | CP2020 | CP2020G | 18.20 x 18.20 462 x 462 | 18.50 x 18.50 470 x 470 | 1 | Quarter-turn | 10.00 254 |
| CSD20248 | 20.00 x 24.00 x 8.00 508 x 610 x 203 | ANSI 61 Gray | 16 | 18 | CP2420 | CP2420G | 22.20 x 18.20 564 x 462 | 18.50 x 22.50 470 x 572 | 1 | Quarter-turn | 10.00 254 |
| CSD20248LG | 20.00 x 24.00 x 8.00 508 x 610 x 203 | RAL 7035 Lt. Gray | 16 | 18 | CP2420 | CP2420G | 22.20 x 18.20 564 x 462 | 18.50 x 22.50 470 x 572 | 1 | Quarter-turn | 10.00 254 |
| CSD24168 | 24.00 x 16.00 x 8.00 610 x 406 x 203 | ANSI 61 Gray | 16 | 18 | CP2416 | CP2416G | 22.20 x 14.20 564 x 361 | 22.50 x 14.50 572 x 368 | 1 | Quarter-turn | 12.00 305 |
| CSD24168LG | 24.00 x 16.00 x 8.00 610 x 406 x 203 | RAL 7035 Lt. Gray | 16 | 18 | CP2416 | CP2416G | 22.20 x 14.20 564 x 361 | 22.50 x 14.50 572 x 368 | 1 | Quarter-turn | 12.00 305 |
| CSD24208 | 24.00 x 20.00 x 8.00 610 x 508 x 203 | ANSI 61 Gray | 16 | 18 | CP2420 | CP2420G | 22.20 x 18.20 564 x 462 | 22.50 x 18.50 572 x 470 | 1 | Quarter-turn | 12.00 305 |
| CSD24208LG | 24.00 x 20.00 x 8.00 610 x 508 x 203 | RAL 7035 Lt. Gray | 16 | 18 | CP2420 | CP2420G | 22.20 x 18.20 564 x 462 | 22.50 x 18.50 572 x 470 | 1 | Quarter-turn | 12.00 305 |
| CSD24248 | 24.00 x 24.00 x 8.00 610 x 610 x 203 | ANSI 61 Gray | 14 | 16 | CP2424 | CP2424G | 22.20 x 22.20 564 x 564 | 22.50 x 22.50 572 x 572 | 2 | Quarter-turn | 5.00 127 |
| CSD24248LG | 24.00 x 24.00 x 8.00 610 x 610 x 203 | RAL 7035 Lt. Gray | 14 | 16 | CP2424 | CP2424G | 22.20 x 22.20 564 x 564 | 22.50 x 22.50 572 x 572 | 2 | Quarter-turn | 5.00 127 |
| CSD24308 | 24.00 x 30.00 x 8.00 610 x 762 x 203 | ANSI 61 Gray | 14 | 16 | CP3024 | CP3024G | 28.20 x 22.20 716 x 564 | 22.50 x 28.50 572 x 724 | 2 | Quarter-turn | 5.00 127 |



CONCEPT™ Wall-Mount Enclosures

| Catalog Number | AxBxC in./mm | Finish | Door Ga. | Body Ga. | CONCEPT Panel | Conductive CONCEPT Panel | Panel Size D x E in./mm | Mounting G x H in./mm | Latches qty. | Latches style | J in./mm |
|----------------|--|-------------------|----------|----------|---------------|--------------------------|----------------------------|----------------------------|--------------|---------------|--------------|
| CSD24308LG | 24.00 x 30.00 x 8.00 610 x 762 x 203 | RAL 7035 Lt. Gray | 14 | 16 | CP3024 | CP3024G | 28.20 x 22.20 716 x 564 | 22.50 x 28.50 572 x 724 | 2 | Quarter-turn | 5.00 127 |
| CSD30208 | 30.00 x 20.00 x 8.00 762 x 508 x 203 | ANSI 61 Gray | 14 | 16 | CP3020 | CP3020G | 28.20 x 18.20 716 x 462 | 28.50 x 18.50 724 x 470 | 2 | Quarter-turn | 5.00 127 |
| CSD30208LG | 30.00 x 20.00 x 8.00 762 x 508 x 203 | RAL 7035 Lt. Gray | 14 | 16 | CP3020 | CP3020G | 28.20 x 18.20 716 x 462 | 28.50 x 18.50 724 x 470 | 2 | Quarter-turn | 5.00 127 |
| CSD30248 | 30.00 x 24.00 x 8.00 762 x 610 x 203 | ANSI 61 Gray | 14 | 14 | CP3024 | CP3024G | 28.20 x 22.20 716 x 564 | 28.50 x 22.50 724 x 572 | 2 | Quarter-turn | 5.00 127 |
| CSD30248LG | 30.00 x 24.00 x 8.00 762 x 610 x 203 | RAL 7035 Lt. Gray | 14 | 14 | CP3024 | CP3024G | 28.20 x 22.20 716 x 564 | 28.50 x 22.50 724 x 572 | 2 | Quarter-turn | 5.00 127 |
| CSD30308 | 30.00 x 30.00 x 8.00 762 x 762 x 203 | ANSI 61 Gray | 14 | 14 | CP3030 | CP3030G | 28.20 x 28.20 716 x 716 | 28.50 x 28.50 724 x 724 | 2 | Quarter-turn | 5.00 127 |
| CSD30308LG | 30.00 x 30.00 x 8.00 762 x 762 x 203 | RAL 7035 Lt. Gray | 14 | 14 | CP3030 | CP3030G | 28.20 x 28.20 716 x 716 | 28.50 x 28.50 724 x 724 | 2 | Quarter-turn | 5.00 127 |
| CSD36248 | 36.00 x 24.00 x 8.00 914 x 610 x 203 | ANSI 61 Gray | 14 | 16 | CP3624 | CP3624G | 34.20 x 22.20 869 x 564 | 34.50 x 22.50 876 x 572 | 2 | Quarter-turn | 5.00 127 |
| CSD36248LG | 36.00 x 24.00 x 8.00 914 x 610 x 203 | RAL 7035 Lt. Gray | 14 | 16 | CP3624 | CP3624G | 34.20 x 22.20 869 x 564 | 34.50 x 22.50 876 x 572 | 2 | Quarter-turn | 5.00 127 |
| CSD36308 | 36.00 x 30.00 x 8.00 914 x 762 x 203 | ANSI 61 Gray | 14 | 14 | CP3630 | CP3630G | 34.20 x 28.20 869 x 716 | 34.50 x 28.50 876 x 724 | 2 | Quarter-turn | 5.00 127 |
| CSD36308LG | 36.00 x 30.00 x 8.00 914 x 762 x 203 | RAL 7035 Lt. Gray | 14 | 14 | CP3630 | CP3630G | 34.20 x 28.20 869 x 716 | 34.50 x 28.50 876 x 724 | 2 | Quarter-turn | 5.00 127 |
| CSD36368 | 36.00 x 36.00 x 8.00 914 x 914 x 203 | ANSI 61 Gray | 14 | 14 | CP3636 | CP3636G | 34.20 x 34.20 869 x 869 | 34.50 x 34.50 876 x 876 | 2 | Quarter-turn | 5.00 127 |
| CSD36368LG | 36.00 x 36.00 x 8.00 914 x 914 x 203 | RAL 7035 Lt. Gray | 14 | 14 | CP3636 | CP3636G | 34.20 x 34.20 869 x 869 | 34.50 x 34.50 876 x 876 | 2 | Quarter-turn | 5.00 127 |
| CSD161210 | 16.00 x 12.00 x 10.00 406 x 305 x 254 | ANSI 61 Gray | 16 | 18 | CP1612 | CP1612G | 14.20 x 10.20 361 x 259 | 14.50 x 10.50 368 x 267 | 1 | Quarter-turn | 8.00 203 |
| CSD161210LG | 16.00 x 12.00 x 10.00 406 x 305 x 254 | ANSI 61 Gray | 16 | 18 | CP1612 | CP1612G | 14.20 x 10.20 361 x 259 | 14.50 x 10.50 368 x 267 | 1 | Quarter-turn | 8.00 203 |
| CSD161610 | 16.00 x 16.00 x 10.00 406 x 406 x 254 | RAL 7035 Lt. Gray | 16 | 18 | CP1616 | CP1616G | 14.20 x 14.20 361 x 361 | 14.50 x 14.50 368 x 368 | 1 | Quarter-turn | 8.00 203 |
| CSD161610LG | 16.00 x 16.00 x 10.00 406 x 406 x 254 | RAL 7035 Lt. Gray | 16 | 18 | CP1616 | CP1616G | 14.20 x 14.20 361 x 361 | 14.50 x 14.50 368 x 368 | 1 | Quarter-turn | 8.00 203 |
| CSD162010 | 16.00 x 20.00 x 10.00 406 x 508 x 254 | ANSI 61 Gray | 16 | 18 | CP2016 | CP2016G | 18.20 x 14.20 462 x 361 | 14.50 x 18.50 368 x 470 | 1 | Quarter-turn | 8.00 203 |
| CSD162010LG | 16.00 x 20.00 x 10.00 406 x 508 x 254 | RAL 7035 Lt. Gray | 16 | 18 | CP2016 | CP2016G | 18.20 x 14.20 462 x 361 | 14.50 x 18.50 368 x 470 | 1 | Quarter-turn | 8.00 203 |
| CSD201610 | 20.00 x 16.00 x 10.00 508 x 406 x 254 | ANSI 61 Gray | 16 | 18 | CP2016 | CP2016G | 18.20 x 14.20 462 x 361 | 18.50 x 14.50 470 x 368 | 1 | Quarter-turn | 10.00 254 |
| CSD201610LG | 20.00 x 16.00 x 10.00 508 x 406 x 254 | RAL 7035 Lt. Gray | 16 | 18 | CP2016 | CP2016G | 18.20 x 14.20 462 x 361 | 18.50 x 14.50 470 x 368 | 1 | Quarter-turn | 10.00 254 |
| CSD202010 | 20.00 x 20.00 x 10.00 508 x 508 x 254 | ANSI 61 Gray | 16 | 18 | CP2020 | CP2020G | 18.20 x 18.20 462 x 462 | 18.50 x 18.50 470 x 470 | 1 | Quarter-turn | 10.00 254 |
| CSD202010LG | 20.00 x 20.00 x 10.00 508 x 508 x 254 | RAL 7035 Lt. Gray | 16 | 18 | CP2020 | CP2020G | 18.20 x 18.20 462 x 462 | 18.50 x 18.50 470 x 470 | 1 | Quarter-turn | 10.00 254 |
| CSD202410 | 20.00 x 24.00 x 10.00 508 x 610 x 254 | ANSI 61 Gray | 16 | 18 | CP2420 | CP2420G | 22.20 x 18.20 564 x 462 | 18.50 x 22.50 470 x 572 | 1 | Quarter-turn | 10.00 254 |
| CSD202410LG | 20.00 x 24.00 x 10.00 508 x 610 x 254 | RAL 7035 Lt. Gray | 16 | 18 | CP2420 | CP2420G | 22.20 x 18.20 564 x 462 | 18.50 x 22.50 470 x 572 | 1 | Quarter-turn | 10.00 254 |
| CSD241610 | 24.00 x 16.00 x 10.00 610 x 406 x 254 | ANSI 61 Gray | 16 | 18 | CP2416 | CP2416G | 22.20 x 14.20 564 x 361 | 22.50 x 14.50 572 x 368 | 1 | Quarter-turn | 12.00 305 |
| CSD241610LG | 24.00 x 16.00 x 10.00 610 x 406 x 254 | RAL 7035 Lt. Gray | 16 | 18 | CP2416 | CP2416G | 22.20 x 14.20 564 x 361 | 22.50 x 14.50 572 x 368 | 1 | Quarter-turn | 12.00 305 |
| CSD242010 | 24.00 x 20.00 x 10.00 610 x 508 x 254 | ANSI 61 Gray | 16 | 18 | CP2420 | CP2420G | 22.20 x 18.20 564 x 462 | 22.50 x 18.50 572 x 470 | 1 | Quarter-turn | 12.00 305 |
| CSD242010LG | 24.00 x 20.00 x 10.00 610 x 508 x 254 | RAL 7035 Lt. Gray | 16 | 18 | CP2420 | CP2420G | 22.20 x 18.20 564 x 462 | 22.50 x 18.50 572 x 470 | 1 | Quarter-turn | 12.00 305 |
| CSD242410 | 24.00 x 24.00 x 10.00 610 x 610 x 254 | ANSI 61 Gray | 14 | 16 | CP2424 | CP2424G | 22.20 x 22.20 564 x 564 | 22.50 x 22.50 572 x 572 | 2 | Quarter-turn | 5.00 127 |
| CSD242410LG | 24.00 x 24.00 x 10.00 610 x 610 x 254 | RAL 7035 Lt. Gray | 14 | 16 | CP2424 | CP2424G | 22.20 x 22.20 564 x 564 | 22.50 x 22.50 572 x 572 | 2 | Quarter-turn | 5.00 127 |
| CSD243010 | 24.00 x 30.00 x 10.00 610 x 762 x 254 | ANSI 61 Gray | 14 | 16 | CP3024 | CP3024G | 28.20 x 22.20 716 x 564 | 22.50 x 28.50 572 x 724 | 2 | Quarter-turn | 5.00 127 |
| CSD243010LG | 24.00 x 30.00 x 10.00 610 x 762 x 254 | RAL 7035 Lt. Gray | 14 | 16 | CP3024 | CP3024G | 28.20 x 22.20 716 x 564 | 22.50 x 28.50 572 x 724 | 2 | Quarter-turn | 5.00 127 |
| CSD302010 | 30.00 x 20.00 x 10.00 762 x 508 x 254 | ANSI 61 Gray | 14 | 16 | CP3020 | CP3020G | 28.20 x 18.20 716 x 462 | 28.50 x 18.50 724 x 470 | 2 | Quarter-turn | 5.00 127 |
| CSD302010LG | 30.00 x 20.00 x 10.00 762 x 508 x 254 | RAL 7035 Lt. Gray | 14 | 16 | CP3020 | CP3020G | 28.20 x 18.20 716 x 462 | 28.50 x 18.50 724 x 470 | 2 | Quarter-turn | 5.00 127 |
| CSD302410 | 30.00 x 24.00 x 10.00 762 x 610 x 254 | ANSI 61 Gray | 14 | 16 | CP3024 | CP3024G | 28.20 x 22.20 716 x 564 | 28.50 x 22.50 724 x 572 | 2 | Quarter-turn | 5.00 127 |
| CSD302410LG | 30.00 x 24.00 x 10.00 762 x 610 x 254 | RAL 7035 Lt. Gray | 14 | 16 | CP3024 | CP3024G | 28.20 x 22.20 716 x 564 | 28.50 x 22.50 724 x 572 | 2 | Quarter-turn | 5.00 127 |
| CSD303010 | 30.00 x 30.00 x 10.00 762 x 762 x 254 | ANSI 61 Gray | 14 | 14 | CP3030 | CP3030G | 28.20 x 28.20 716 x 716 | 28.50 x 28.50 724 x 724 | 2 | Quarter-turn | 5.00 127 |

CONCEPT™ Wall-Mount Enclosures

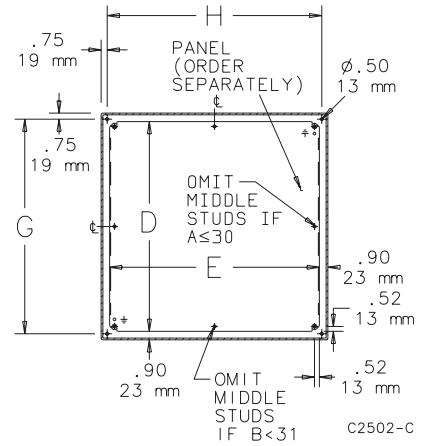
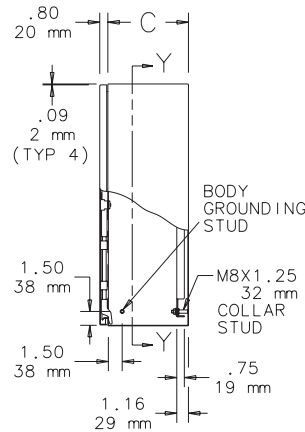
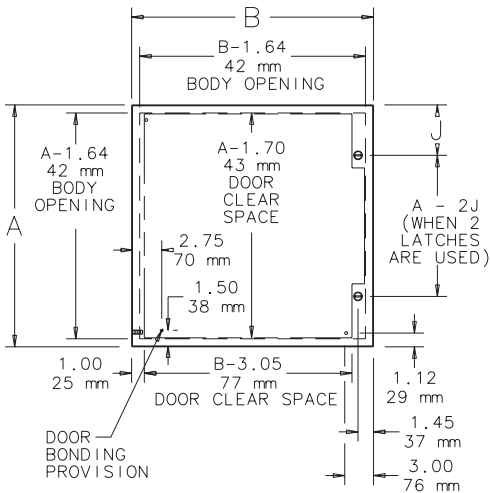
| Catalog Number | AxBxC in./mm | Finish | Door Ga. | Body Ga. | CONCEPT Panel | Conductive CONCEPT Panel | Panel Size D x E in./mm | Mounting G x H in./mm | Latches qty. | Latches style | J in./mm |
|--------------------|---|-------------------|----------|----------|---------------|--------------------------|-----------------------------|-----------------------------|--------------|---------------|--------------|
| CSD303010LG | 30.00 x 30.00 x 10.00 762 x 762 x 254 | RAL 7035 Lt. Gray | 14 | 14 | CP3030 | CP3030G | 28.20 x 28.20 716 x 716 | 28.50 x 28.50 724 x 724 | 2 | Quarter-turn | 5.00 127 |
| CSD362410 | 36.00 x 24.00 x 10.00 914 x 610 x 254 | ANSI 61 Gray | 14 | 16 | CP3624 | CP3624G | 34.20 x 22.20 869 x 564 | 34.50 x 22.50 876 x 572 | 2 | Quarter-turn | 5.00 127 |
| CSD362410LG | 36.00 x 24.00 x 10.00 914 x 610 x 254 | RAL 7035 Lt. Gray | 14 | 16 | CP3624 | CP3624G | 34.20 x 22.20 869 x 564 | 34.50 x 22.50 876 x 572 | 2 | Quarter-turn | 5.00 127 |
| CSD363010 | 36.00 x 30.00 x 10.00 914 x 762 x 254 | ANSI 61 Gray | 14 | 14 | CP3630 | CP3630G | 34.20 x 28.20 869 x 716 | 34.50 x 28.50 876 x 724 | 2 | Quarter-turn | 5.00 127 |
| CSD363010LG | 36.00 x 30.00 x 10.00 762 x 762 x 254 | RAL 7035 Lt. Gray | 14 | 14 | CP3630 | CP3630G | 34.20 x 28.20 869 x 716 | 34.50 x 28.50 876 x 724 | 2 | Quarter-turn | 5.00 127 |
| CSD363610 | 36.00 x 36.00 x 10.00 914 x 914 x 254 | ANSI 61 Gray | 14 | 14 | CP3636 | CP3636G | 34.20 x 34.20 869 x 869 | 34.50 x 34.50 876 x 876 | 2 | Quarter-turn | 5.00 127 |
| CSD363610LG | 36.00 x 36.00 x 10.00 914 x 914 x 254 | RAL 7035 Lt. Gray | 14 | 14 | CP3636 | CP3636G | 34.20 x 34.20 869 x 869 | 34.50 x 34.50 876 x 876 | 2 | Quarter-turn | 5.00 127 |
| CSD423610 | 42.00 x 36.00 x 10.00 1067 x 914 x 254 | ANSI 61 Gray | 14 | 14 | CP4236 | CP4236G | 40.20 x 34.20 1021 x 869 | 40.50 x 34.50 1029 x 876 | 1 | 3-point | 21.00 533 |
| CSD423610LG | 42.00 x 36.00 x 10.00 1067 x 914 x 254 | RAL 7035 Lt. Gray | 14 | 14 | CP4236 | CP4236G | 40.20 x 34.20 1021 x 869 | 40.50 x 34.50 1029 x 876 | 1 | 3-point | 21.00 533 |
| CSD482410 | 48.00 x 24.00 x 10.00 1219 x 610 x 254 | ANSI 61 Gray | 14 | 14 | CP4824 | CP4824G | 46.20 x 22.20 1173 x 564 | 46.50 x 22.50 1181 x 572 | 1 | 3-point | 24.00 610 |
| CSD482410LG | 48.00 x 24.00 x 10.00 1219 x 610 x 254 | RAL 7035 Lt. Gray | 14 | 14 | CP4824 | CP4824G | 46.20 x 22.20 1173 x 564 | 46.50 x 22.50 1181 x 572 | 1 | 3-point | 24.00 610 |
| CSD483610 | 48.00 x 36.00 x 10.00 1219 x 914 x 254 | ANSI 61 Gray | 14 | 14 | CP4836 | CP4836G | 46.20 x 34.20 1173 x 869 | 46.50 x 34.50 1181 x 876 | 1 | 3-point | 24.00 610 |
| CSD483610LG | 48.00 x 36.00 x 10.00 1219 x 914 x 254 | RAL 7035 Lt. Gray | 14 | 14 | CP4836 | CP4836G | 46.20 x 34.20 1173 x 869 | 46.50 x 34.50 1181 x 876 | 1 | 3-point | 24.00 610 |
| CSD603610 | 60.00 x 36.00 x 10.00 1524 x 914 x 254 | ANSI 61 Gray | 14 | 14 | CP6036 | CP6036G | 58.20 x 34.20 1478 x 869 | 58.50 x 34.50 1486 x 876 | 1 | 3-point | 30.00 762 |
| CSD603610LG | 60.00 x 36.00 x 10.00 1524 x 914 x 254 | RAL 7035 Lt. Gray | 14 | 14 | CP6036 | CP6036G | 58.20 x 34.20 1478 x 869 | 58.50 x 34.50 1486 x 876 | 1 | 3-point | 30.00 762 |
| CSD202012 | 20.00 x 20.00 x 12.00 508 x 508 x 305 | ANSI 61 Gray | 16 | 16 | CP2020 | CP2020G | 18.20 x 18.20 462 x 462 | 18.50 x 18.50 470 x 470 | 1 | Quarter-turn | 10.00 254 |
| CSD202012LG | 20.00 x 20.00 x 12.00 508 x 508 x 305 | RAL 7035 Lt. Gray | 16 | 16 | CP2020 | CP2020G | 18.20 x 18.20 462 x 462 | 18.50 x 18.50 470 x 470 | 1 | Quarter-turn | 10.00 254 |
| CSD242012 | 24.00 x 20.00 x 12.00 610 x 508 x 305 | ANSI 61 Gray | 16 | 16 | CP2420 | CP2420G | 22.20 x 18.20 564 x 462 | 22.50 x 18.50 572 x 470 | 1 | Quarter-turn | 12.00 305 |
| CSD242012LG | 24.00 x 20.00 x 12.00 610 x 508 x 305 | RAL 7035 Lt. Gray | 16 | 16 | CP2420 | CP2420G | 22.20 x 18.20 564 x 462 | 22.50 x 18.50 572 x 470 | 1 | Quarter-turn | 12.00 305 |
| CSD242412 | 24.00 x 24.00 x 12.00 610 x 610 x 305 | ANSI 61 Gray | 14 | 16 | CP2424 | CP2424G | 22.20 x 22.20 564 x 564 | 22.50 x 22.50 572 x 572 | 2 | Quarter-turn | 5.00 127 |
| CSD242412LG | 24.00 x 24.00 x 12.00 610 x 610 x 305 | RAL 7035 Lt. Gray | 14 | 16 | CP2424 | CP2424G | 22.20 x 22.20 564 x 564 | 22.50 x 22.50 572 x 572 | 2 | Quarter-turn | 5.00 127 |
| CSD302412 | 30.00 x 24.00 x 12.00 762 x 610 x 305 | ANSI 61 Gray | 14 | 16 | CP3024 | CP3024G | 28.20 x 22.20 716 x 564 | 28.50 x 22.50 724 x 572 | 2 | Quarter-turn | 5.00 127 |
| CSD302412LG | 30.00 x 24.00 x 12.00 762 x 610 x 305 | RAL 7035 Lt. Gray | 14 | 16 | CP3024 | CP3024G | 28.20 x 22.20 716 x 564 | 28.50 x 22.50 724 x 572 | 2 | Quarter-turn | 5.00 127 |
| CSD303012 | 30.00 x 30.00 x 12.00 762 x 762 x 305 | ANSI 61 Gray | 14 | 14 | CP3030 | CP3030G | 28.20 x 28.20 716 x 716 | 28.50 x 28.50 724 x 724 | 2 | Quarter-turn | 5.00 127 |
| CSD303012LG | 30.00 x 30.00 x 12.00 762 x 762 x 305 | RAL 7035 Lt. Gray | 14 | 14 | CP3030 | CP3030G | 28.20 x 28.20 716 x 716 | 28.50 x 28.50 724 x 724 | 2 | Quarter-turn | 5.00 127 |
| CSD362412 | 36.00 x 24.00 x 12.00 914 x 610 x 305 | ANSI 61 Gray | 14 | 16 | CP3624 | CP3624G | 34.20 x 22.20 869 x 564 | 34.50 x 22.50 876 x 572 | 2 | Quarter-turn | 5.00 127 |
| CSD362412LG | 36.00 x 24.00 x 12.00 914 x 610 x 305 | RAL 7035 Lt. Gray | 14 | 16 | CP3624 | CP3624G | 34.20 x 22.20 869 x 564 | 34.50 x 22.50 876 x 572 | 2 | Quarter-turn | 5.00 127 |
| CSD363012 | 36.00 x 30.00 x 12.00 914 x 762 x 305 | ANSI 61 Gray | 14 | 14 | CP3630 | CP3630G | 34.20 x 28.20 869 x 716 | 34.50 x 28.50 876 x 724 | 2 | Quarter-turn | 5.00 127 |
| CSD363012LG | 36.00 x 30.00 x 12.00 914 x 762 x 305 | RAL 7035 Lt. Gray | 14 | 14 | CP3630 | CP3630G | 34.20 x 28.20 869 x 716 | 34.50 x 28.50 876 x 724 | 2 | Quarter-turn | 5.00 127 |
| CSD363612 | 36.00 x 36.00 x 12.00 914 x 914 x 305 | ANSI 61 Gray | 14 | 14 | CP3636 | CP3636G | 34.20 x 34.20 869 x 869 | 34.50 x 34.50 876 x 876 | 2 | Quarter-turn | 5.00 127 |
| CSD363612LG | 36.00 x 36.00 x 12.00 914 x 914 x 305 | RAL 7035 Lt. Gray | 14 | 14 | CP3636 | CP3636G | 34.20 x 34.20 869 x 869 | 34.50 x 34.50 876 x 876 | 2 | Quarter-turn | 5.00 127 |
| CSD423612 | 42.00 x 36.00 x 12.00 1067 x 914 x 305 | ANSI 61 Gray | 14 | 14 | CP4236 | CP4236G | 40.20 x 34.20 1021 x 869 | 40.50 x 34.50 1029 x 876 | 1 | 3-point | 21.00 533 |
| CSD423612LG | 42.00 x 36.00 x 12.00 1067 x 914 x 305 | RAL 7035 Lt. Gray | 14 | 14 | CP4236 | CP4236G | 40.20 x 34.20 1021 x 869 | 40.50 x 34.50 1029 x 876 | 1 | 3-point | 21.00 533 |
| CSD482412 | 48.00 x 24.00 x 12.00 1219 x 610 x 305 | ANSI 61 Gray | 14 | 14 | CP4824 | CP4824G | 46.20 x 22.20 1173 x 564 | 46.50 x 22.50 1181 x 572 | 1 | 3-point | 24.00 610 |
| CSD482412LG | 48.00 x 24.00 x 12.00 1219 x 610 x 305 | RAL 7035 Lt. Gray | 14 | 14 | CP4824 | CP4824G | 46.20 x 22.20 1173 x 564 | 46.50 x 22.50 1181 x 572 | 1 | 3-point | 24.00 610 |
| CSD483612 | 48.00 x 36.00 x 12.00 1219 x 914 x 305 | ANSI 61 Gray | 14 | 14 | CP4836 | CP4836G | 46.20 x 34.20 1173 x 869 | 46.50 x 34.50 1181 x 876 | 1 | 3-point | 24.00 610 |
| CSD483612LG | 48.00 x 36.00 x 12.00 1219 x 914 x 305 | RAL 7035 Lt. Gray | 14 | 14 | CP4836 | CP4836G | 46.20 x 34.20 1173 x 869 | 46.50 x 34.50 1181 x 876 | 1 | 3-point | 24.00 610 |
| CSD603612 | 60.00 x 36.00 x 12.00 1524 x 914 x 305 | ANSI 61 Gray | 14 | 14 | CP6036 | CP6036G | 58.20 x 34.20 1478 x 869 | 58.50 x 34.50 1486 x 876 | 1 | 3-point | 30.00 762 |

CONCEPT™ Wall-Mount Enclosures

| Catalog Number | AxBxC in./mm | Finish | Door Ga. | Body Ga. | CONCEPT Panel | Conductive CONCEPT Panel | Panel Size D x E in./mm | Mounting G x H in./mm | Latches qty. | Latches style | J in./mm |
|--------------------|---|-------------------|----------|----------|---------------|--------------------------|-----------------------------|-----------------------------|--------------|---------------|--------------|
| CSD603612LG | 60.00 x 36.00 x 12.00 1524 x 914 x 305 | RAL 7035 Lt. Gray | 14 | 14 | CP6036 | CP6036G | 58.20 x 34.20 1478 x 869 | 58.50 x 34.50 1486 x 876 | 1 | 3-point | 30.00 762 |
| CSD242416 | 24.00 x 24.00 x 16.00 610 x 610 x 406 | ANSI 61 Gray | 14 | 14 | CP2424 | CP2424G | 22.20 x 22.20 564 x 564 | 22.50 x 22.50 572 x 572 | 2 | Quarter-turn | 5.00 127 |
| CSD242416LG | 24.00 x 24.00 x 16.00 610 x 610 x 406 | RAL 7035 Lt. Gray | 14 | 14 | CP2424 | CP2424G | 22.20 x 22.20 564 x 564 | 22.50 x 22.50 572 x 572 | 2 | Quarter-turn | 5.00 127 |
| CSD363016 | 36.00 x 30.00 x 16.00 914 x 762 x 406 | ANSI 61 Gray | 14 | 14 | CP3630 | CP3630G | 34.20 x 28.20 869 x 716 | 34.50 x 28.50 876 x 724 | 2 | Quarter-turn | 5.00 127 |
| CSD363016LG | 36.00 x 30.00 x 16.00 914 x 762 x 406 | RAL 7035 Lt. Gray | 14 | 14 | CP3630 | CP3630G | 34.20 x 28.20 869 x 716 | 34.50 x 28.50 876 x 724 | 2 | Quarter-turn | 5.00 127 |
| CSD483616 | 48.00 x 36.00 x 16.00 1219 x 914 x 406 | ANSI 61 Gray | 14 | 14 | CP4836 | CP4836G | 46.20 x 34.20 1173 x 869 | 46.50 x 34.50 1181 x 876 | 1 | 3-point | 24.00 610 |
| CSD483616LG | 48.00 x 36.00 x 16.00 1219 x 914 x 406 | RAL 7035 Lt. Gray | 14 | 14 | CP4836 | CP4836G | 46.20 x 34.20 1173 x 869 | 46.50 x 34.50 1181 x 876 | 1 | 3-point | 24.00 610 |
| CSD242420 | 24.00 x 24.00 x 20.00 610 x 610 x 508 | ANSI 61 Gray | 14 | 14 | CP2424 | CP2424G | 22.20 x 22.20 564 x 564 | 22.50 x 22.50 572 x 572 | 2 | Quarter-turn | 5.00 127 |
| CSD242420LG | 24.00 x 24.00 x 20.00 610 x 610 x 508 | RAL 7035 Lt. Gray | 14 | 14 | CP2424 | CP2424G | 22.20 x 22.20 564 x 564 | 22.50 x 22.50 572 x 572 | 2 | Quarter-turn | 5.00 127 |
| CSD302420 | 30.00 x 24.00 x 20.00 762 x 610 x 508 | ANSI 61 Gray | 14 | 14 | CP3024 | CP3024G | 28.20 x 22.20 716 x 564 | 28.50 x 22.50 724 x 572 | 2 | Quarter-turn | 5.00 127 |
| CSD302420LG | 30.00 x 24.00 x 20.00 762 x 610 x 508 | RAL 7035 Lt. Gray | 14 | 14 | CP3024 | CP3024G | 28.20 x 22.20 716 x 564 | 28.50 x 22.50 724 x 572 | 2 | Quarter-turn | 5.00 127 |
| CSD363020 | 36.00 x 30.00 x 20.00 914 x 762 x 508 | ANSI 61 Gray | 14 | 14 | CP3630 | CP3630G | 34.20 x 28.20 869 x 716 | 34.50 x 28.50 876 x 724 | 2 | Quarter-turn | 5.00 127 |
| CSD363020LG | 36.00 x 30.00 x 20.00 914 x 762 x 508 | RAL 7035 Lt. Gray | 14 | 14 | CP3630 | CP3630G | 34.20 x 28.20 869 x 716 | 34.50 x 28.50 876 x 724 | 2 | Quarter-turn | 5.00 127 |

Purchase panels separately.

Optional NEMA-size panels require conversion kit Catalog Number CCPM4.

SECTION Y-Y
(WITH PANEL INSTALLED)

CONCEPT™ Wall-Mount Enclosures
Standard Product Single-Door Enclosures with Windows

| Catalog Number | AxBxC in./mm | Finish | Door Ga. | Body Ga. | CONCEPT Panel | CONCEPT Conductive Panel | Panel Size D x E in./mm | Mounting G x H in./mm | Window Size M x N in./mm | Latches qty. | Latches style | J in./mm |
|----------------|--|-------------------|----------|----------|---------------|--------------------------|----------------------------|----------------------------|----------------------------|--------------|---------------|--------------|
| CSD12126W | 12.00 x 12.00 x 6.00 305 x 305 x 152 | ANSI 61 Gray | 14 | 18 | CP1212 | CP1212G | 10.20 x 10.20 259 x 259 | 10.50 x 10.50 267 x 267 | 8.49 x 7.30 216 x 185 | 1 | Quarter-turn | 6.00 152 |
| CSD12126WLG | 12.00 x 12.00 x 6.00 305 x 305 x 152 | RAL 7035 Lt. Gray | 14 | 18 | CP1212 | CP1212G | 10.20 x 10.20 259 x 259 | 10.50 x 10.50 267 x 267 | 8.49 x 7.30 222 x 180 | 1 | Quarter-turn | 6.00 152 |
| CSD16126W | 16.00 x 12.00 x 6.00 406 x 305 x 152 | ANSI 61 Gray | 14 | 18 | CP1612 | CP1612G | 14.20 x 10.20 361 x 259 | 14.50 x 10.50 368 x 267 | 12.49 x 7.30 317 x 185 | 1 | Quarter-turn | 8.00 203 |
| CSD16126WLG | 16.00 x 12.00 x 6.00 406 x 305 x 152 | RAL 7035 Lt. Gray | 14 | 18 | CP1612 | CP1612G | 14.20 x 10.20 361 x 259 | 14.50 x 10.50 368 x 267 | 12.49 x 7.30 317 x 185 | 1 | Quarter-turn | 8.00 203 |
| CSD20166W | 20.00 x 16.00 x 6.00 508 x 406 x 152 | ANSI 61 Gray | 14 | 18 | CP2016 | CP2016G | 18.20 x 14.20 462 x 361 | 18.50 x 14.50 470 x 368 | 16.49 x 11.30 419 x 287 | 1 | Quarter-turn | 10.00 254 |
| CSD20166WLG | 20.00 x 16.00 x 6.00 508 x 406 x 152 | RAL 7035 Lt. Gray | 14 | 18 | CP2016 | CP2016G | 18.20 x 14.20 462 x 361 | 18.50 x 14.50 470 x 368 | 16.49 x 11.30 419 x 287 | 1 | Quarter-turn | 10.00 254 |
| CSD20206W | 20.00 x 20.00 x 6.00 508 x 508 x 152 | ANSI 61 Gray | 14 | 18 | CP2020 | CP2020G | 18.20 x 18.20 462 x 462 | 18.50 x 18.50 470 x 470 | 16.49 x 15.30 419 x 389 | 1 | Quarter-turn | 10.00 254 |
| CSD20206WLG | 20.00 x 20.00 x 6.00 508 x 508 x 152 | RAL 7035 Lt. Gray | 14 | 18 | CP2020 | CP2020G | 18.20 x 18.20 462 x 462 | 18.50 x 18.50 470 x 470 | 16.49 x 15.30 419 x 389 | 1 | Quarter-turn | 10.00 254 |
| CSD24206W | 24.00 x 20.00 x 6.00 610 x 508 x 152 | ANSI 61 Gray | 14 | 18 | CP2420 | CP2420G | 22.20 x 18.20 564 x 462 | 22.50 x 18.50 572 x 470 | 20.49 x 15.30 520 x 389 | 1 | Quarter-turn | 12.00 305 |
| CSD24206WLG | 24.00 x 20.00 x 6.00 610 x 508 x 152 | RAL 7035 Lt. Gray | 14 | 18 | CP2420 | CP2420G | 22.20 x 18.20 564 x 462 | 22.50 x 18.50 572 x 470 | 20.49 x 15.30 520 x 389 | 1 | Quarter-turn | 12.00 305 |
| CSD24246W | 24.00 x 24.00 x 6.00 610 x 610 x 152 | ANSI 61 Gray | 14 | 16 | CP2424 | CP2424G | 22.20 x 22.20 564 x 564 | 22.50 x 22.50 572 x 572 | 20.49 x 18.07 520 x 459 | 2 | Quarter-turn | 5.00 127 |
| CSD24246WLG | 24.00 x 24.00 x 6.00 610 x 610 x 152 | RAL 7035 Lt. Gray | 14 | 16 | CP2424 | CP2424G | 22.20 x 22.20 564 x 564 | 22.50 x 22.50 572 x 572 | 20.49 x 18.07 520 x 459 | 2 | Quarter-turn | 5.00 127 |
| CSD16128W | 16.00 x 12.00 x 8.00 406 x 305 x 203 | ANSI 61 Gray | 14 | 18 | CP1612 | CP1612G | 14.20 x 10.20 361 x 259 | 14.50 x 10.50 368 x 267 | 12.49 x 7.30 317 x 185 | 1 | Quarter-turn | 8.00 203 |
| CSD16128WLG | 16.00 x 12.00 x 8.00 406 x 305 x 203 | RAL 7035 Lt. Gray | 14 | 18 | CP1612 | CP1612G | 14.20 x 10.20 361 x 259 | 14.50 x 10.50 368 x 267 | 12.49 x 7.30 317 x 185 | 1 | Quarter-turn | 8.00 203 |
| CSD20168W | 20.00 x 16.00 x 8.00 508 x 406 x 203 | ANSI 61 Gray | 14 | 18 | CP2016 | CP2016G | 18.20 x 14.20 462 x 361 | 18.50 x 14.50 470 x 368 | 16.49 x 11.30 419 x 287 | 1 | Quarter-turn | 10.00 254 |
| CSD20168WLG | 20.00 x 16.00 x 8.00 508 x 406 x 203 | RAL 7035 Lt. Gray | 14 | 18 | CP2016 | CP2016G | 18.20 x 14.20 462 x 361 | 18.50 x 14.50 470 x 368 | 16.49 x 11.30 419 x 287 | 1 | Quarter-turn | 10.00 254 |
| CSD20208W | 20.00 x 20.00 x 8.00 508 x 508 x 203 | ANSI 61 Gray | 14 | 18 | CP2020 | CP2020G | 18.20 x 18.20 462 x 462 | 18.50 x 18.50 470 x 470 | 16.49 x 15.30 419 x 389 | 1 | Quarter-turn | 10.00 254 |
| CSD20208WLG | 20.00 x 20.00 x 8.00 508 x 508 x 203 | RAL 7035 Lt. Gray | 14 | 18 | CP2020 | CP2020G | 18.20 x 18.20 462 x 462 | 18.50 x 18.50 470 x 470 | 16.49 x 15.30 419 x 389 | 1 | Quarter-turn | 10.00 254 |
| CSD24208W | 24.00 x 20.00 x 8.00 610 x 508 x 203 | ANSI 61 Gray | 14 | 18 | CP2420 | CP2420G | 22.20 x 18.20 564 x 462 | 22.50 x 18.50 572 x 470 | 20.49 x 15.30 520 x 389 | 1 | Quarter-turn | 12.00 305 |
| CSD24208WLG | 24.00 x 20.00 x 8.00 610 x 508 x 203 | RAL 7035 Lt. Gray | 14 | 18 | CP2420 | CP2420G | 22.20 x 18.20 564 x 462 | 22.50 x 18.50 572 x 470 | 20.49 x 15.30 520 x 389 | 1 | Quarter-turn | 12.00 305 |
| CSD24248W | 24.00 x 24.00 x 8.00 610 x 610 x 203 | ANSI 61 Gray | 14 | 16 | CP2424 | CP2424G | 22.20 x 22.20 564 x 564 | 22.50 x 22.50 572 x 572 | 20.49 x 18.07 520 x 459 | 2 | Quarter-turn | 5.00 127 |
| CSD24248WLG | 24.00 x 24.00 x 8.00 610 x 610 x 203 | RAL 7035 Lt. Gray | 14 | 16 | CP2424 | CP2424G | 22.20 x 22.20 564 x 564 | 22.50 x 22.50 572 x 572 | 20.49 x 18.07 520 x 459 | 2 | Quarter-turn | 5.00 127 |
| CSD30248W | 30.00 x 24.00 x 8.00 762 x 610 x 203 | ANSI 61 Gray | 14 | 16 | CP3024 | CP3024G | 28.20 x 22.20 716 x 564 | 28.50 x 22.50 724 x 572 | 26.49 x 18.07 673 x 459 | 2 | Quarter-turn | 5.00 127 |
| CSD30248WLG | 30.00 x 24.00 x 8.00 762 x 610 x 203 | RAL 7035 Lt. Gray | 14 | 16 | CP3024 | CP3024G | 28.20 x 22.20 716 x 564 | 28.50 x 22.50 724 x 572 | 26.49 x 18.07 673 x 459 | 2 | Quarter-turn | 5.00 127 |
| CSD161210W | 16.00 x 12.00 x 10.00 406 x 305 x 254 | ANSI 61 Gray | 14 | 18 | CP1612 | CP1612G | 14.20 x 10.20 361 x 259 | 14.50 x 10.50 368 x 267 | 12.49 x 7.30 317 x 185 | 1 | Quarter-turn | 8.00 203 |
| CSD161210WLG | 16.00 x 12.00 x 10.00 406 x 305 x 254 | RAL 7035 Lt. Gray | 14 | 18 | CP1612 | CP1612G | 14.20 x 10.20 361 x 259 | 14.50 x 10.50 368 x 267 | 12.49 x 7.30 317 x 185 | 1 | Quarter-turn | 8.00 203 |
| CSD201610W | 20.00 x 16.00 x 10.00 508 x 406 x 254 | ANSI 61 Gray | 14 | 18 | CP2016 | CP2016G | 18.20 x 14.20 462 x 361 | 18.50 x 14.50 470 x 368 | 16.49 x 11.30 419 x 287 | 1 | Quarter-turn | 10.00 254 |
| CSD201610WLG | 20.00 x 16.00 x 10.00 508 x 406 x 254 | RAL 7035 Lt. Gray | 14 | 18 | CP2016 | CP2016G | 18.20 x 14.20 462 x 361 | 18.50 x 14.50 470 x 368 | 16.49 x 11.30 419 x 287 | 1 | Quarter-turn | 10.00 254 |
| CSD202010W | 20.00 x 20.00 x 10.00 508 x 508 x 254 | ANSI 61 Gray | 14 | 18 | CP2020 | CP2020G | 18.20 x 18.20 462 x 462 | 18.50 x 18.50 470 x 470 | 16.49 x 15.30 419 x 389 | 1 | Quarter-turn | 10.00 254 |
| CSD202010WLG | 20.00 x 20.00 x 10.00 508 x 508 x 254 | RAL 7035 Lt. Gray | 14 | 18 | CP2020 | CP2020G | 18.20 x 18.20 462 x 462 | 18.50 x 18.50 470 x 470 | 16.49 x 15.30 419 x 389 | 1 | Quarter-turn | 10.00 254 |
| CSD242010W | 24.00 x 20.00 x 10.00 610 x 508 x 254 | ANSI 61 Gray | 14 | 18 | CP2420 | CP2420G | 22.20 x 18.20 564 x 462 | 22.50 x 18.50 572 x 470 | 20.49 x 15.30 527 x 384 | 1 | Quarter-turn | 12.00 305 |
| CSD242010WLG | 24.00 x 20.00 x 10.00 610 x 508 x 254 | RAL 7035 Lt. Gray | 14 | 18 | CP2420 | CP2420G | 22.20 x 18.20 564 x 462 | 22.50 x 18.50 572 x 470 | 20.49 x 15.30 527 x 384 | 1 | Quarter-turn | 12.00 305 |
| CSD242410W | 24.00 x 24.00 x 10.00 610 x 610 x 254 | ANSI 61 Gray | 14 | 16 | CP2424 | CP2424G | 22.20 x 22.20 564 x 564 | 22.50 x 22.50 572 x 572 | 20.49 x 18.07 520 x 459 | 2 | Quarter-turn | 5.00 127 |
| CSD242410WLG | 24.00 x 24.00 x 10.00 610 x 610 x 254 | RAL 7035 Lt. Gray | 14 | 16 | CP2424 | CP2424G | 22.20 x 22.20 564 x 564 | 22.50 x 22.50 572 x 572 | 20.49 x 18.07 520 x 459 | 2 | Quarter-turn | 5.00 127 |
| CSD302410W | 30.00 x 24.00 x 10.00 762 x 610 x 254 | ANSI 61 Gray | 14 | 16 | CP3024 | CP3024G | 28.20 x 22.20 716 x 564 | 28.50 x 22.50 724 x 572 | 26.49 x 18.07 673 x 459 | 2 | Quarter-turn | 5.00 127 |
| CSD302410WLG | 30.00 x 24.00 x 10.00 762 x 610 x 254 | RAL 7035 Lt. Gray | 14 | 16 | CP3024 | CP3024G | 28.20 x 22.20 716 x 564 | 28.50 x 22.50 724 x 572 | 26.49 x 18.07 673 x 459 | 2 | Quarter-turn | 5.00 127 |
| CSD202012W | 20.00 x 20.00 x 12.00 508 x 508 x 305 | ANSI 61 Gray | 14 | 16 | CP2020 | CP2020G | 18.20 x 18.20 462 x 462 | 18.50 x 18.50 470 x 470 | 16.49 x 15.30 419 x 389 | 1 | Quarter-turn | 10.00 254 |

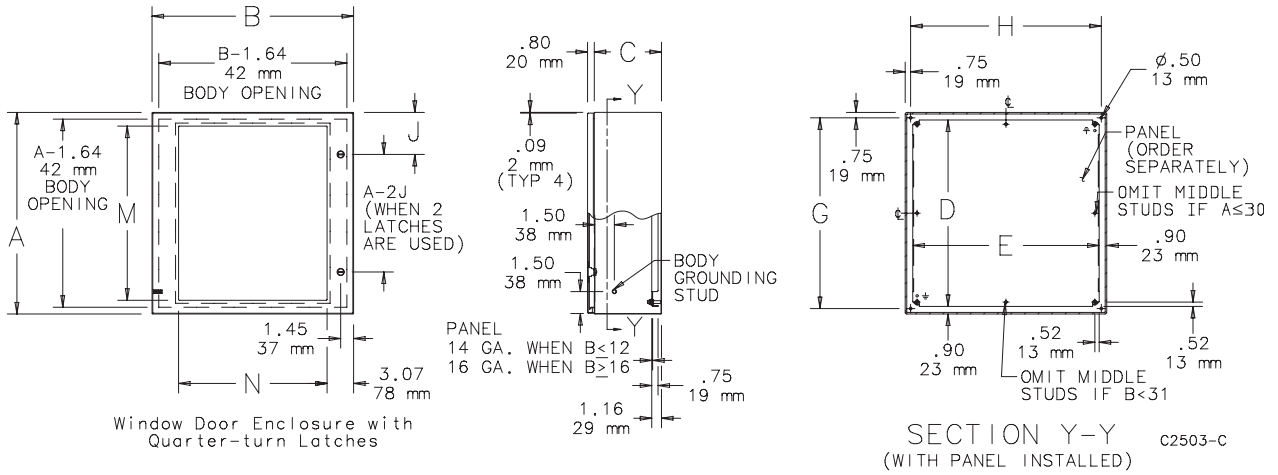
CONCEPT™ Wall-Mount Enclosures

| Catalog Number | AxBxC in./mm | Finish | Door Ga. | Body Ga. | CONCEPT Panel | CONCEPT Conductive Panel | Panel Size D x E in./mm | Mounting G x H in./mm | Window Size M x N in./mm | Latches qty. | Latches style | J in./mm |
|----------------|--|-------------------|----------|----------|---------------|--------------------------|----------------------------|----------------------------|----------------------------|--------------|---------------|--------------|
| CSD202012WLG | 20.00 x 20.00 x 12.00 508 x 508 x 305 | RAL 7035 Lt. Gray | 14 | 16 | CP2020 | CP2020G | 18.20 x 18.20 462 x 462 | 18.50 x 18.50 470 x 470 | 16.49 x 15.30 419 x 389 | 1 | Quarter-turn | 10.00 254 |
| CSD242012W | 24.00 x 20.00 x 12.00 610 x 508 x 305 | ANSI 61 Gray | 14 | 16 | CP2420 | CP2420G | 22.20 x 18.20 564 x 462 | 22.50 x 18.50 572 x 470 | 20.49 x 15.30 520 x 389 | 1 | Quarter-turn | 12.00 305 |
| CSD242012WLG | 24.00 x 20.00 x 12.00 610 x 508 x 305 | RAL 7035 Lt. Gray | 14 | 16 | CP2420 | CP2420G | 22.20 x 18.20 564 x 462 | 22.50 x 18.50 572 x 470 | 20.49 x 15.30 520 x 389 | 1 | Quarter-turn | 12.00 305 |
| CSD242412W | 24.00 x 24.00 x 12.00 610 x 610 x 305 | ANSI 61 Gray | 14 | 16 | CP2424 | CP2424G | 22.20 x 22.20 564 x 564 | 22.50 x 22.50 572 x 572 | 20.49 x 18.07 520 x 459 | 2 | Quarter-turn | 5.00 127 |
| CSD242412WLG | 24.00 x 24.00 x 12.00 610 x 610 x 305 | RAL 7035 Lt. Gray | 14 | 16 | CP2424 | CP2424G | 22.20 x 22.20 564 x 564 | 22.50 x 22.50 572 x 572 | 20.49 x 18.07 527 x 449 | 2 | Quarter-turn | 5.00 127 |
| CSD302412W | 30.00 x 24.00 x 12.00 762 x 610 x 305 | ANSI 61 Gray | 14 | 16 | CP3024 | CP3024G | 28.20 x 22.20 716 x 564 | 28.50 x 22.50 724 x 572 | 26.49 x 18.07 673 x 459 | 2 | Quarter-turn | 5.00 127 |
| CSD302412WLG | 30.00 x 24.00 x 12.00 762 x 610 x 305 | RAL 7035 Lt. Gray | 14 | 16 | CP3024 | CP3024G | 28.20 x 22.20 716 x 564 | 28.50 x 22.50 724 x 572 | 26.49 x 18.07 679 x 449 | 2 | Quarter-turn | 5.00 127 |
| CSD242416W | 24.00 x 24.00 x 16.00 610 x 610 x 406 | ANSI 61 Gray | 14 | 14 | CP2424 | CP2424G | 22.20 x 22.20 564 x 564 | 22.50 x 22.50 572 x 572 | 20.49 x 18.07 520 x 459 | 2 | Quarter-turn | 5.00 127 |
| CSD242416WLG | 24.00 x 24.00 x 16.00 610 x 610 x 406 | RAL 7035 Lt. Gray | 14 | 14 | CP2424 | CP2424G | 22.20 x 22.20 564 x 564 | 22.50 x 22.50 572 x 572 | 20.49 x 18.07 520 x 459 | 2 | Quarter-turn | 5.00 127 |
| CSD242420W | 24.00 x 24.00 x 20.00 610 x 610 x 508 | ANSI 61 Gray | 14 | 14 | CP2424 | CP2424G | 22.20 x 22.20 564 x 564 | 22.50 x 22.50 572 x 572 | 20.49 x 18.07 520 x 459 | 2 | Quarter-turn | 5.00 127 |
| CSD242420WLG | 24.00 x 24.00 x 20.00 610 x 610 x 508 | RAL 7035 Lt. Gray | 14 | 14 | CP2424 | CP2424G | 22.20 x 22.20 564 x 564 | 22.50 x 22.50 572 x 572 | 20.49 x 18.07 520 x 459 | 2 | Quarter-turn | 5.00 127 |
| CSD302420W | 30.00 x 24.00 x 20.00 762 x 610 x 508 | ANSI 61 Gray | 14 | 14 | CP3024 | CP3024G | 28.20 x 22.20 716 x 564 | 28.50 x 22.50 724 x 572 | 26.49 x 18.07 673 x 459 | 2 | Quarter-turn | 5.00 127 |
| CSD302420WLG | 30.00 x 24.00 x 20.00 762 x 610 x 508 | RAL 7035 Lt. Gray | 14 | 14 | CP3024 | CP3024G | 28.20 x 22.20 716 x 564 | 28.50 x 22.50 724 x 572 | 26.49 x 18.07 673 x 459 | 2 | Quarter-turn | 5.00 127 |

Purchase panels separately.

Optional NEMA-size panels require conversion kit Catalog Number CCPM4.

CONCEPT Single-Door Wall-Mounted Enclosures with Windows



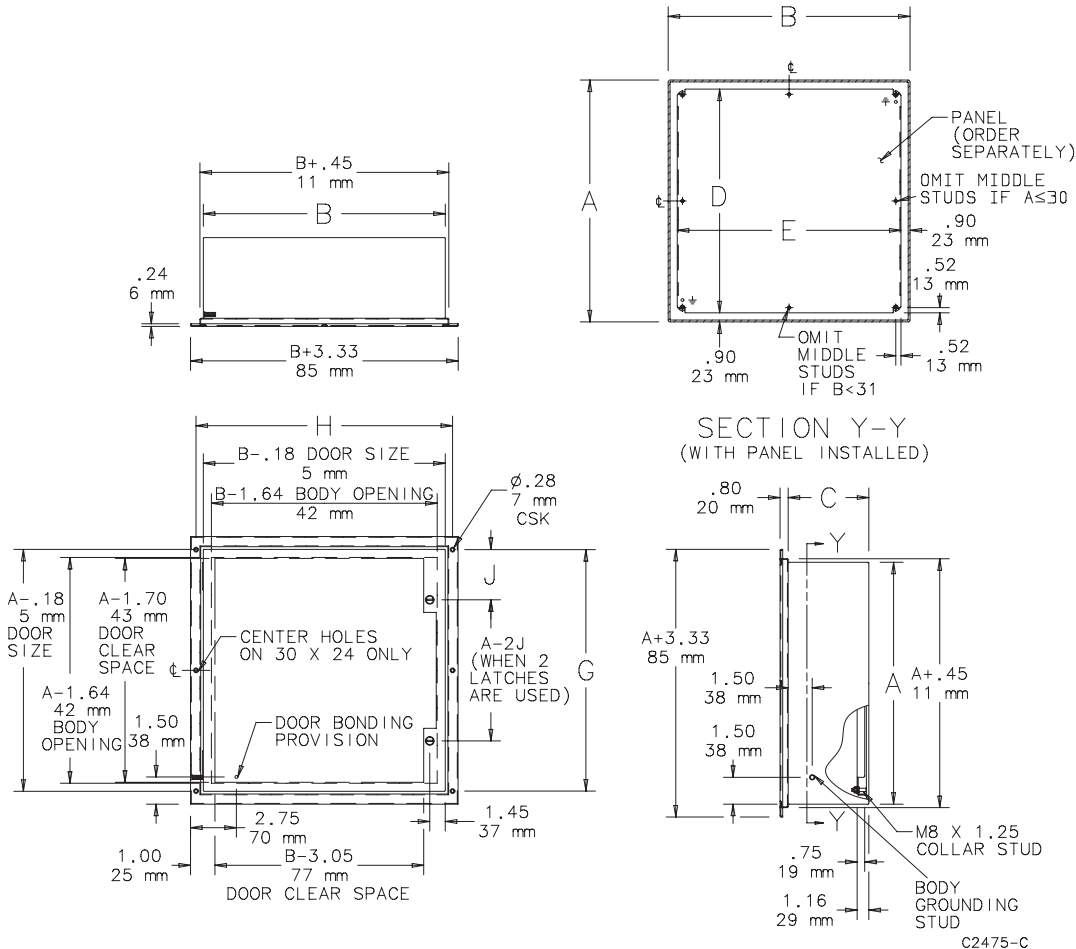
CONCEPT™ Wall-Mount Enclosures

Standard Product Flush-Mounted Enclosures

| Catalog Number | AxBxC in./mm | Finish | Door Ga. | Body Ga. | CONCEPT Panel | Conductive CONCEPT Panel | Panel Size D x E in./mm | Mounting G x H in./mm | Latches qty. | Latches style | J in./mm |
|----------------|---|-------------------|----------|----------|---------------|--------------------------|----------------------------|----------------------------|--------------|---------------|--------------|
| CFM12126 | 12.00 x 12.00 x 6.00 305 x 305 x 152 | ANSI 61 Gray | 16 | 16 | CP1212 | CP1212G | 10.20 x 10.20 259 x 259 | 12.75 x 14.25 324 x 362 | 1 | Quarter-turn | 6.00 152 |
| CFM12126LG | 12.00 x 12.00 x 6.00 305 x 305 x 152 | RAL 7035 Lt. Gray | 16 | 16 | CP1212 | CP1212G | 10.20 x 10.20 259 x 259 | 12.75 x 14.25 324 x 362 | 1 | Quarter-turn | 6.00 152 |
| CFM16126 | 16.00 x 12.00 x 6.00 406 x 305 x 152 | ANSI 61 Gray | 16 | 16 | CP1612 | CP1612G | 14.20 x 10.20 361 x 259 | 16.75 x 14.25 425 x 362 | 1 | Quarter-turn | 8.00 203 |
| CFM16126LG | 16.00 x 12.00 x 6.00 406 x 305 x 152 | RAL 7035 Lt. Gray | 16 | 16 | CP1612 | CP1612G | 14.20 x 10.20 361 x 259 | 16.75 x 14.25 425 x 362 | 1 | Quarter-turn | 8.00 203 |
| CFM20166 | 20.00 x 16.00 x 6.00 508 x 406 x 152 | ANSI 61 Gray | 16 | 16 | CP2016 | CP2016G | 18.20 x 14.20 462 x 361 | 20.75 x 18.25 527 x 463 | 1 | Quarter-turn | 10.00 254 |
| CFM20166LG | 20.00 x 16.00 x 6.00 508 x 406 x 152 | RAL 7035 Lt. Gray | 16 | 16 | CP2016 | CP2016G | 18.20 x 14.20 462 x 361 | 20.75 x 18.25 527 x 463 | 1 | Quarter-turn | 10.00 254 |
| CFM20206 | 20.00 x 20.00 x 6.00 508 x 508 x 152 | ANSI 61 Gray | 16 | 16 | CP2020 | CP2020G | 18.20 x 18.20 462 x 462 | 20.75 x 22.25 527 x 565 | 1 | Quarter-turn | 10.00 254 |
| CFM20206LG | 20.00 x 20.00 x 6.00 508 x 508 x 152 | RAL 7035 Lt. Gray | 16 | 16 | CP2020 | CP2020G | 18.20 x 18.20 462 x 462 | 20.75 x 22.25 527 x 565 | 1 | Quarter-turn | 10.00 254 |
| CFM24208 | 24.00 x 20.00 x 8.00 610 x 508 x 203 | ANSI 61 Gray | 16 | 16 | CP2420 | CP2420G | 22.20 x 18.20 564 x 462 | 24.75 x 22.25 629 x 565 | 1 | Quarter-turn | 12.00 305 |
| CFM24208LG | 24.00 x 20.00 x 8.00 610 x 508 x 203 | RAL 7035 Lt. Gray | 16 | 16 | CP2420 | CP2420G | 22.20 x 18.20 564 x 462 | 24.75 x 22.25 629 x 565 | 1 | Quarter-turn | 12.00 305 |
| CFM24248 | 24.00 x 24.00 x 8.00 610 x 610 x 203 | ANSI 61 Gray | 14 | 16 | CP2424 | CP2424G | 22.20 x 22.20 564 x 564 | 24.75 x 26.25 629 x 667 | 2 | Quarter-turn | 5.00 127 |
| CFM24248LG | 24.00 x 24.00 x 8.00 610 x 610 x 203 | RAL 7035 Lt. Gray | 14 | 16 | CP2424 | CP2424G | 22.20 x 22.20 564 x 564 | 24.75 x 26.25 629 x 667 | 2 | Quarter-turn | 5.00 127 |
| CFM30248 | 30.00 x 24.00 x 8.00 762 x 610 x 203 | ANSI 61 Gray | 14 | 16 | CP3024 | CP3024G | 28.20 x 22.20 716 x 564 | 30.75 x 26.25 781 x 667 | 2 | Quarter-turn | 5.00 127 |
| CFM30248LG | 30.00 x 24.00 x 8.00 762 x 610 x 203 | RAL 7035 Lt. Gray | 14 | 16 | CP3024 | CP3024G | 28.20 x 22.20 716 x 564 | 30.75 x 26.25 781 x 667 | 2 | Quarter-turn | 5.00 127 |

Purchase panels separately.

Optional NEMA-size panels require conversion kit Catalog Number CCPM4.



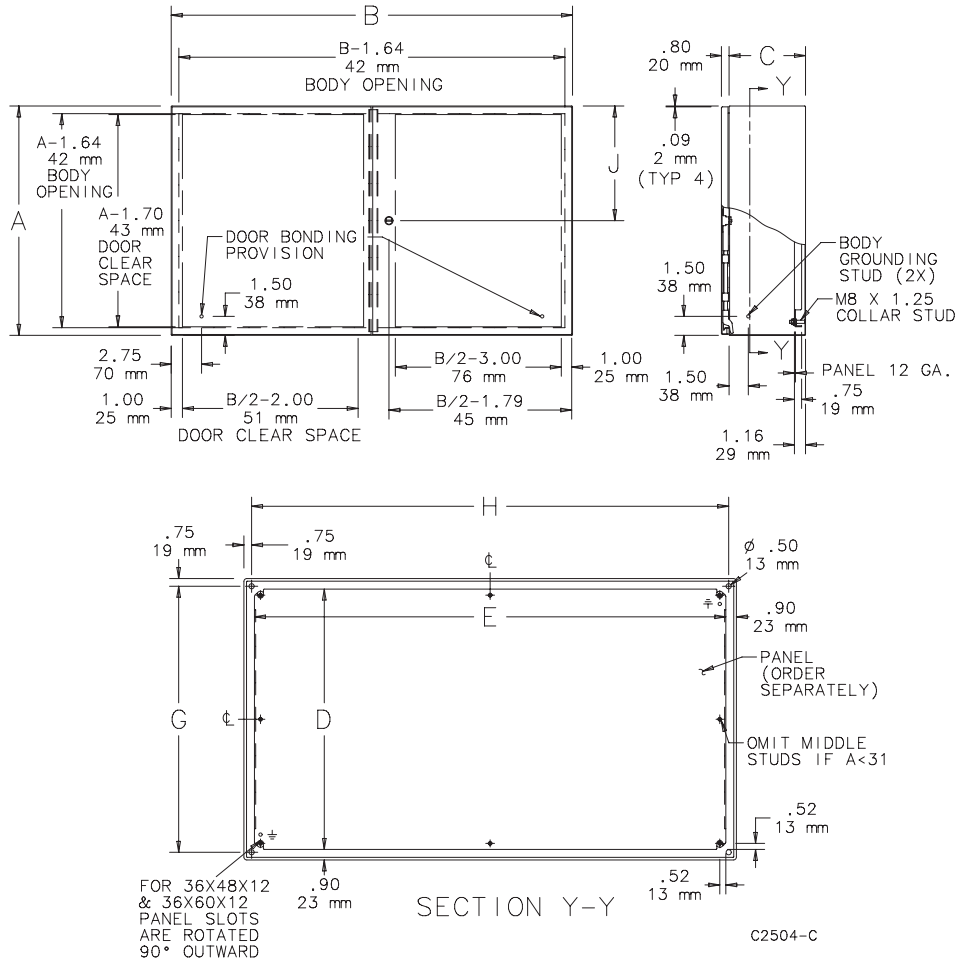
CONCEPT™ Wall-Mount Enclosures

Standard Product Two-Door Enclosures

| Catalog Number | Ax B x C in./mm | Finish | Door Ga. | Body Ga. | CONCEPT Panel | Conductive CONCEPT Panel | Panel Size | Mounting | Latches qty. | Latches style | J |
|----------------|---|-------------------|----------|----------|---------------|--------------------------|----------------------------|-----------------------------|--------------|---------------|--------------|
| | | | | | | | D x E in./mm | G x H in./mm | | | in./mm |
| CTD24428 | 24.00 x 42.00 x 8.00 610 x 1067 x 203 | ANSI 61 Gray | 14 | 14 | CP2442 | CP2442G | 22.20 x 40.20 259 x 564 | 22.50 x 40.50 572 x 1029 | 1 | 3-point | 12.00 305 |
| CTD24428LG | 24.00 x 42.00 x 8.00 610 x 1067 x 203 | RAL 7035 Lt. Gray | 14 | 14 | CP2442 | CP2442G | 22.20 x 40.20 259 x 564 | 22.50 x 40.50 572 x 1029 | 1 | 3-point | 12.00 305 |
| CTD30488 | 30.00 x 48.00 x 8.00 762 x 1219 x 203 | ANSI 61 Gray | 14 | 14 | CP3048 | CP3048G | 28.20 x 46.20 259 x 716 | 28.50 x 46.50 724 x 1181 | 1 | 3-point | 15.00 381 |
| CTD30488LG | 30.00 x 48.00 x 8.00 762 x 1219 x 203 | RAL 7035 Lt. Gray | 14 | 14 | CP3048 | CP3048G | 28.20 x 46.20 259 x 716 | 28.50 x 46.50 724 x 1181 | 1 | 3-point | 15.00 381 |
| CTD306012 | 30.00 x 60.00 x 12.00 762 x 1524 x 305 | ANSI 61 Gray | 14 | 14 | CP3060 | CP3060G | 28.20 x 58.20 361 x 716 | 28.50 x 58.50 724 x 1486 | 1 | 3-point | 15.00 381 |
| CTD306012LG | 30.00 x 60.00 x 12.00 762 x 1524 x 305 | RAL 7035 Lt. Gray | 14 | 14 | CP3060 | CP3060G | 28.20 x 58.20 361 x 716 | 28.50 x 58.50 724 x 1486 | 1 | 3-point | 15.00 381 |
| CTD364812 | 36.00 x 48.00 x 12.00 914 x 1219 x 305 | ANSI 61 Gray | 14 | 14 | CP4836 | CP4836G | 34.20 x 46.20 462 x 869 | 34.50 x 46.50 876 x 1181 | 1 | 3-point | 18.00 457 |
| CTD364812LG | 36.00 x 48.00 x 12.00 914 x 1219 x 305 | RAL 7035 Lt. Gray | 14 | 14 | CP4836 | CP4836G | 34.20 x 46.20 462 x 869 | 34.50 x 46.50 876 x 1181 | 1 | 3-point | 18.00 457 |
| CTD366012 | 36.00 x 60.00 x 12.00 914 x 1524 x 305 | ANSI 61 Gray | 14 | 14 | CP6036 | CP6036G | 34.20 x 58.20 462 x 869 | 34.50 x 58.50 876 x 1486 | 1 | 3-point | 18.00 457 |
| CTD366012LG | 36.00 x 60.00 x 12.00 914 x 1524 x 305 | RAL 7035 Lt. Gray | 14 | 14 | CP6036 | CP6036G | 34.20 x 58.20 462 x 869 | 34.50 x 58.50 876 x 1486 | 1 | 3-point | 18.00 457 |

Purchase panels separately.

Optional NEMA-size panels require conversion kit Catalog Number CCPM4.





CONCEPT™ Wall-Mount Enclosures

Notes