

**CONCEPT™ Wall-Mount Enclosures**
**CONCEPT™, Type 4 and 12**

**Industry Standards**

Wall-mounting brackets required to maintain UL/CSA external mounting requirement.

**CONCEPT solid single-door, door with window and flush-mount models**

UL 508A Listed; Type 4, 12; File No. E61997  
 cUL Listed per CSA C22.2 No. 94; Type 4, 12; File No. E61997

NEMA/EEMAC Type 4, 12, 13  
 CSA, File No. 42186; Type 4, 12  
 VDE IP66  
 IEC 60529, IP66

**CONCEPT two-door models**

UL 508A Listed; Type 12; File No. E61997  
 cUL Listed per CSA C22.2 No. 94; Type 12; File No. E61997

NEMA/EEMAC Type 12  
 CSA, File No. 42186, Type 12  
 VDE IP 55  
 IEC 60529, IP55

**Application**

CONCEPT™ Enclosures are ideal for machine control applications. With streamlined styling, flush quarter-turn latches and an attractive, durable finish. Available in solid or window single-door and two-door landscape, flush-mount and sloped-top versions for application and mounting flexibility. Two-door landscape models provide full-width access and easy panel installation.

**Specifications**

- 14, 16 or 18 gauge steel (see table)
- Seams continuously welded and ground smooth
- Corner-formed doors
- Simple easy-to-remove and install hinge pins with built-in captivation clip
- High-torque threadless studs and fasteners on door
- Minimum-width body flange provides maximum door opening (210 degrees)
- External formed body flange
- Panel mounting studs fit optional CONCEPT panels and other accessories
- Mounting holes in back of body for optional external wall-mount brackets
- Hidden hinges
- Doors are interchangeable and easily removed by pulling clip-style hinge pins
- Seamless foam-in-place gasket
- Quarter-turn slotted latch(es)
- Door alignment device on doors wider than 30 in.
- Four hinges on 60-in.-high enclosures
- Grounding stud on body; bonding provision on door (except window-door models)
- Provisions for thermoplastic data pocket (right-hand hinged door on two-door models)
- Hardware kit with panel mounting nuts, panel grounding hardware and sealing washers
- Single-door enclosures have a three-point latch system on enclosures where A is equal to or greater than 42-in. with quarter-turn, slotted latch
- Window-door enclosures have a clear polycarbonate window flush with door surface
- Mounting frame on flush-mount enclosures extends completely around enclosure
- Two-door enclosures have a overlapping door design which provides full-width access
- Two door enclosures have a three-point latch system on right-hand hinged door furnished with flush slotted insert
- Illustrated instruction sheet

**Finish**

Two standard finishes are available: ANSI 61 gray or RAL 7035 textured light-gray polyester powder paint inside and out.

**Accessories**

Door Stop Kit  
 Handles  
 Lock Inserts  
 CONCEPT™ Panels  
 Mounting-Bracket Kits

**Modification and Customization**

Hoffman excels at modifying and customizing products to your specifications. Contact your local Hoffman sales office or distributor for complete information.

Bulletin: CW1



CONCEPT™ Wall-Mount Enclosures

Standard Product **Single-Door Enclosures**

| Catalog Number | AxBxC in./mm                            | Finish            | Door Ga. | Body Ga. | CONCEPT Panel | Conductive CONCEPT Panel | Panel Size D x E in./mm    | Mounting G x H in./mm      | Latches qty. | Latches style | J in./mm     |
|----------------|---|-------------------|----------|----------|---------------|--------------------------|----------------------------|----------------------------|--------------|---------------|--------------|
| CSD121226      | 12.00 x 12.00 x 6.00<br>305 x 305 x 152 | ANSI 61 Gray      | 16       | 18       | CP1212        | CP1212G                  | 10.20 x 10.20<br>259 x 259 | 10.50 x 10.50<br>267 x 267 | 1            | Quarter-turn  | 6.00<br>152  |
| CSD12126LG     | 12.00 x 12.00 x 6.00<br>305 x 305 x 152 | RAL 7035 Lt. Gray | 16       | 18       | CP1212        | CP1212G                  | 10.20 x 10.20<br>259 x 259 | 10.50 x 10.50<br>267 x 267 | 1            | Quarter-turn  | 6.00<br>152  |
| CSD16126       | 16.00 x 12.00 x 6.00<br>406 x 305 x 152 | ANSI 61 Gray      | 16       | 18       | CP1612        | CP1612G                  | 14.20 x 10.20<br>361 x 259 | 14.50 x 10.50<br>368 x 267 | 1            | Quarter-turn  | 8.00<br>203  |
| CSD16126LG     | 16.00 x 12.00 x 6.00<br>406 x 305 x 152 | RAL 7035 Lt. Gray | 16       | 18       | CP1612        | CP1612G                  | 14.20 x 10.20<br>361 x 259 | 14.50 x 10.50<br>368 x 267 | 1            | Quarter-turn  | 8.00<br>203  |
| CSD16166       | 16.00 x 16.00 x 6.00<br>406 x 406 x 152 | ANSI 61 Gray      | 16       | 18       | CP1616        | CP1616G                  | 14.20 x 14.20<br>361 x 361 | 14.50 x 14.50<br>368 x 368 | 1            | Quarter-turn  | 8.00<br>203  |
| CSD16166LG     | 16.00 x 16.00 x 6.00<br>406 x 406 x 152 | RAL 7035 Lt. Gray | 16       | 18       | CP1616        | CP1616G                  | 14.20 x 14.20<br>361 x 361 | 14.50 x 14.50<br>368 x 368 | 1            | Quarter-turn  | 8.00<br>203  |
| CSD16206       | 16.00 x 20.00 x 6.00<br>406 x 508 x 152 | ANSI 61 Gray      | 16       | 18       | CP2016        | CP2016G                  | 18.20 x 14.20<br>462 x 361 | 14.50 x 18.50<br>368 x 470 | 1            | Quarter-turn  | 8.00<br>203  |
| CSD16206LG     | 16.00 x 20.00 x 6.00<br>406 x 508 x 152 | RAL 7035 Lt. Gray | 16       | 18       | CP2016        | CP2016G                  | 18.20 x 14.20<br>462 x 361 | 14.50 x 18.50<br>368 x 470 | 1            | Quarter-turn  | 8.00<br>203  |
| CSD20166       | 20.00 x 16.00 x 6.00<br>508 x 406 x 152 | ANSI 61 Gray      | 16       | 18       | CP2016        | CP2016G                  | 18.20 x 14.20<br>462 x 361 | 18.50 x 14.50<br>470 x 368 | 1            | Quarter-turn  | 10.00<br>254 |
| CSD20166LG     | 20.00 x 16.00 x 6.00<br>508 x 406 x 152 | RAL 7035 Lt. Gray | 16       | 18       | CP2016        | CP2016G                  | 18.20 x 14.20<br>462 x 361 | 18.50 x 14.50<br>470 x 368 | 1            | Quarter-turn  | 10.00<br>254 |
| CSD20206       | 20.00 x 20.00 x 6.00<br>508 x 508 x 152 | ANSI 61 Gray      | 16       | 18       | CP2020        | CP2020G                  | 18.20 x 18.20<br>462 x 462 | 18.50 x 18.50<br>470 x 470 | 1            | Quarter-turn  | 10.00<br>254 |
| CSD20206LG     | 20.00 x 20.00 x 6.00<br>508 x 508 x 152 | RAL 7035 Lt. Gray | 16       | 18       | CP2020        | CP2020G                  | 18.20 x 18.20<br>462 x 462 | 18.50 x 18.50<br>470 x 470 | 1            | Quarter-turn  | 10.00<br>254 |
| CSD24166       | 24.00 x 16.00 x 6.00<br>610 x 406 x 152 | ANSI 61 Gray      | 16       | 18       | CP2416        | CP2416G                  | 22.20 x 14.20<br>564 x 361 | 22.50 x 14.50<br>572 x 368 | 1            | Quarter-turn  | 12.00<br>305 |
| CSD24166LG     | 24.00 x 16.00 x 6.00<br>610 x 406 x 152 | RAL 7035 Lt. Gray | 16       | 18       | CP2416        | CP2416G                  | 22.20 x 14.20<br>564 x 361 | 22.50 x 14.50<br>572 x 368 | 1            | Quarter-turn  | 12.00<br>305 |
| CSD24206       | 24.00 x 20.00 x 6.00<br>610 x 508 x 152 | ANSI 61 Gray      | 16       | 18       | CP2420        | CP2420G                  | 22.20 x 18.20<br>564 x 462 | 22.50 x 18.50<br>572 x 470 | 1            | Quarter-turn  | 12.00<br>305 |
| CSD24206LG     | 24.00 x 20.00 x 6.00<br>610 x 508 x 152 | RAL 7035 Lt. Gray | 16       | 18       | CP2420        | CP2420G                  | 22.20 x 18.20<br>564 x 462 | 22.50 x 18.50<br>572 x 470 | 1            | Quarter-turn  | 12.00<br>305 |
| CSD24246       | 24.00 x 24.00 x 6.00<br>610 x 610 x 152 | ANSI 61 Gray      | 14       | 16       | CP2424        | CP2424G                  | 22.20 x 22.20<br>564 x 564 | 22.50 x 22.50<br>572 x 572 | 2            | Quarter-turn  | 5.00<br>127  |
| CSD24246LG     | 24.00 x 24.00 x 6.00<br>610 x 610 x 152 | RAL 7035 Lt. Gray | 14       | 16       | CP2424        | CP2424G                  | 22.20 x 22.20<br>564 x 564 | 22.50 x 22.50<br>572 x 572 | 2            | Quarter-turn  | 5.00<br>127  |
| CSD16128       | 16.00 x 12.00 x 8.00<br>406 x 305 x 203 | ANSI 61 Gray      | 16       | 18       | CP1612        | CP1612G                  | 14.20 x 10.20<br>361 x 259 | 14.50 x 10.50<br>368 x 267 | 1            | Quarter-turn  | 8.00<br>203  |
| CSD16128LG     | 16.00 x 12.00 x 8.00<br>406 x 305 x 203 | RAL 7035 Lt. Gray | 16       | 18       | CP1612        | CP1612G                  | 14.20 x 10.20<br>361 x 259 | 14.50 x 10.50<br>368 x 267 | 1            | Quarter-turn  | 8.00<br>203  |
| CSD16168       | 16.00 x 16.00 x 8.00<br>406 x 406 x 203 | ANSI 61 Gray      | 16       | 18       | CP1616        | CP1616G                  | 14.20 x 14.20<br>361 x 361 | 14.50 x 14.50<br>368 x 368 | 1            | Quarter-turn  | 8.00<br>203  |
| CSD16168LG     | 16.00 x 16.00 x 8.00<br>406 x 406 x 203 | RAL 7035 Lt. Gray | 16       | 18       | CP1616        | CP1616G                  | 14.20 x 14.20<br>361 x 361 | 14.50 x 14.50<br>368 x 368 | 1            | Quarter-turn  | 8.00<br>203  |
| CSD16208       | 16.00 x 20.00 x 8.00<br>406 x 508 x 203 | ANSI 61 Gray      | 16       | 18       | CP2016        | CP2016G                  | 18.20 x 14.20<br>462 x 361 | 14.50 x 18.50<br>368 x 470 | 1            | Quarter-turn  | 8.00<br>203  |
| CSD16208LG     | 16.00 x 20.00 x 8.00<br>406 x 508 x 203 | RAL 7035 Lt. Gray | 16       | 18       | CP2016        | CP2016G                  | 18.20 x 14.20<br>462 x 361 | 14.50 x 18.50<br>368 x 470 | 1            | Quarter-turn  | 8.00<br>203  |
| CSD20168       | 20.00 x 16.00 x 8.00<br>508 x 406 x 203 | ANSI 61 Gray      | 16       | 18       | CP2016        | CP2016G                  | 18.20 x 14.20<br>462 x 361 | 18.50 x 14.50<br>470 x 368 | 1            | Quarter-turn  | 10.00<br>254 |
| CSD20168LG     | 20.00 x 16.00 x 8.00<br>508 x 406 x 203 | RAL 7035 Lt. Gray | 16       | 18       | CP2016        | CP2016G                  | 18.20 x 14.20<br>462 x 361 | 18.50 x 14.50<br>470 x 368 | 1            | Quarter-turn  | 10.00<br>254 |
| CSD20208       | 20.00 x 20.00 x 8.00<br>508 x 508 x 203 | ANSI 61 Gray      | 16       | 18       | CP2020        | CP2020G                  | 18.20 x 18.20<br>462 x 462 | 18.50 x 18.50<br>470 x 470 | 1            | Quarter-turn  | 10.00<br>254 |
| CSD20208LG     | 20.00 x 20.00 x 8.00<br>508 x 508 x 203 | RAL 7035 Lt. Gray | 16       | 18       | CP2020        | CP2020G                  | 18.20 x 18.20<br>462 x 462 | 18.50 x 18.50<br>470 x 470 | 1            | Quarter-turn  | 10.00<br>254 |
| CSD20248       | 20.00 x 24.00 x 8.00<br>508 x 610 x 203 | ANSI 61 Gray      | 16       | 18       | CP2420        | CP2420G                  | 22.20 x 18.20<br>564 x 462 | 18.50 x 22.50<br>470 x 572 | 1            | Quarter-turn  | 10.00<br>254 |
| CSD20248LG     | 20.00 x 24.00 x 8.00<br>508 x 610 x 203 | RAL 7035 Lt. Gray | 16       | 18       | CP2420        | CP2420G                  | 22.20 x 18.20<br>564 x 462 | 18.50 x 22.50<br>470 x 572 | 1            | Quarter-turn  | 10.00<br>254 |
| CSD24168       | 24.00 x 16.00 x 8.00<br>610 x 406 x 203 | ANSI 61 Gray      | 16       | 18       | CP2416        | CP2416G                  | 22.20 x 14.20<br>564 x 361 | 22.50 x 14.50<br>572 x 368 | 1            | Quarter-turn  | 12.00<br>305 |
| CSD24168LG     | 24.00 x 16.00 x 8.00<br>610 x 406 x 203 | RAL 7035 Lt. Gray | 16       | 18       | CP2416        | CP2416G                  | 22.20 x 14.20<br>564 x 361 | 22.50 x 14.50<br>572 x 368 | 1            | Quarter-turn  | 12.00<br>305 |
| CSD24208       | 24.00 x 20.00 x 8.00<br>610 x 508 x 203 | ANSI 61 Gray      | 16       | 18       | CP2420        | CP2420G                  | 22.20 x 18.20<br>564 x 462 | 22.50 x 18.50<br>572 x 470 | 1            | Quarter-turn  | 12.00<br>305 |
| CSD24208LG     | 24.00 x 20.00 x 8.00<br>610 x 508 x 203 | RAL 7035 Lt. Gray | 16       | 18       | CP2420        | CP2420G                  | 22.20 x 18.20<br>564 x 462 | 22.50 x 18.50<br>572 x 470 | 1            | Quarter-turn  | 12.00<br>305 |
| CSD24248       | 24.00 x 24.00 x 8.00<br>610 x 610 x 203 | ANSI 61 Gray      | 14       | 16       | CP2424        | CP2424G                  | 22.20 x 22.20<br>564 x 564 | 22.50 x 22.50<br>572 x 572 | 2            | Quarter-turn  | 5.00<br>127  |
| CSD24248LG     | 24.00 x 24.00 x 8.00<br>610 x 610 x 203 | RAL 7035 Lt. Gray | 14       | 16       | CP2424        | CP2424G                  | 22.20 x 22.20<br>564 x 564 | 22.50 x 22.50<br>572 x 572 | 2            | Quarter-turn  | 5.00<br>127  |
| CSD24308       | 24.00 x 30.00 x 8.00<br>610 x 762 x 203 | ANSI 61 Gray      | 14       | 16       | CP3024        | CP3024G                  | 28.20 x 22.20<br>716 x 564 | 22.50 x 28.50<br>572 x 724 | 2            | Quarter-turn  | 5.00<br>127  |



CONCEPT™ Wall-Mount Enclosures

| Catalog Number | AxBxC in./mm                             | Finish            | Door Ga. | Body Ga. | CONCEPT Panel | Conductive CONCEPT Panel | Panel Size D x E in./mm    | Mounting G x H in./mm      | Latches qty. | Latches style | J in./mm     |
|----------------|--|-------------------|----------|----------|---------------|--------------------------|----------------------------|----------------------------|--------------|---------------|--------------|
| CSD24308LG     | 24.00 x 30.00 x 8.00<br>610 x 762 x 203  | RAL 7035 Lt. Gray | 14       | 16       | CP3024        | CP3024G                  | 28.20 x 22.20<br>716 x 564 | 22.50 x 28.50<br>572 x 724 | 2            | Quarter-turn  | 5.00<br>127  |
| CSD30208       | 30.00 x 20.00 x 8.00<br>762 x 508 x 203  | ANSI 61 Gray      | 14       | 16       | CP3020        | CP3020G                  | 28.20 x 18.20<br>716 x 462 | 28.50 x 18.50<br>724 x 470 | 2            | Quarter-turn  | 5.00<br>127  |
| CSD30208LG     | 30.00 x 20.00 x 8.00<br>762 x 508 x 203  | RAL 7035 Lt. Gray | 14       | 16       | CP3020        | CP3020G                  | 28.20 x 18.20<br>716 x 462 | 28.50 x 18.50<br>724 x 470 | 2            | Quarter-turn  | 5.00<br>127  |
| CSD30248       | 30.00 x 24.00 x 8.00<br>762 x 610 x 203  | ANSI 61 Gray      | 14       | 14       | CP3024        | CP3024G                  | 28.20 x 22.20<br>716 x 564 | 28.50 x 22.50<br>724 x 572 | 2            | Quarter-turn  | 5.00<br>127  |
| CSD30248LG     | 30.00 x 24.00 x 8.00<br>762 x 610 x 203  | RAL 7035 Lt. Gray | 14       | 14       | CP3024        | CP3024G                  | 28.20 x 22.20<br>716 x 564 | 28.50 x 22.50<br>724 x 572 | 2            | Quarter-turn  | 5.00<br>127  |
| CSD30308       | 30.00 x 30.00 x 8.00<br>762 x 762 x 203  | ANSI 61 Gray      | 14       | 14       | CP3030        | CP3030G                  | 28.20 x 28.20<br>716 x 716 | 28.50 x 28.50<br>724 x 724 | 2            | Quarter-turn  | 5.00<br>127  |
| CSD30308LG     | 30.00 x 30.00 x 8.00<br>762 x 762 x 203  | RAL 7035 Lt. Gray | 14       | 14       | CP3030        | CP3030G                  | 28.20 x 28.20<br>716 x 716 | 28.50 x 28.50<br>724 x 724 | 2            | Quarter-turn  | 5.00<br>127  |
| CSD36248       | 36.00 x 24.00 x 8.00<br>914 x 610 x 203  | ANSI 61 Gray      | 14       | 16       | CP3624        | CP3624G                  | 34.20 x 22.20<br>869 x 564 | 34.50 x 22.50<br>876 x 572 | 2            | Quarter-turn  | 5.00<br>127  |
| CSD36248LG     | 36.00 x 24.00 x 8.00<br>914 x 610 x 203  | RAL 7035 Lt. Gray | 14       | 16       | CP3624        | CP3624G                  | 34.20 x 22.20<br>869 x 564 | 34.50 x 22.50<br>876 x 572 | 2            | Quarter-turn  | 5.00<br>127  |
| CSD36308       | 36.00 x 30.00 x 8.00<br>914 x 762 x 203  | ANSI 61 Gray      | 14       | 14       | CP3630        | CP3630G                  | 34.20 x 28.20<br>869 x 716 | 34.50 x 28.50<br>876 x 724 | 2            | Quarter-turn  | 5.00<br>127  |
| CSD36308LG     | 36.00 x 30.00 x 8.00<br>914 x 762 x 203  | RAL 7035 Lt. Gray | 14       | 14       | CP3630        | CP3630G                  | 34.20 x 28.20<br>869 x 716 | 34.50 x 28.50<br>876 x 724 | 2            | Quarter-turn  | 5.00<br>127  |
| CSD36368       | 36.00 x 36.00 x 8.00<br>914 x 914 x 203  | ANSI 61 Gray      | 14       | 14       | CP3636        | CP3636G                  | 34.20 x 34.20<br>869 x 869 | 34.50 x 34.50<br>876 x 876 | 2            | Quarter-turn  | 5.00<br>127  |
| CSD36368LG     | 36.00 x 36.00 x 8.00<br>914 x 914 x 203  | RAL 7035 Lt. Gray | 14       | 14       | CP3636        | CP3636G                  | 34.20 x 34.20<br>869 x 869 | 34.50 x 34.50<br>876 x 876 | 2            | Quarter-turn  | 5.00<br>127  |
| CSD161210      | 16.00 x 12.00 x 10.00<br>406 x 305 x 254 | ANSI 61 Gray      | 16       | 18       | CP1612        | CP1612G                  | 14.20 x 10.20<br>361 x 259 | 14.50 x 10.50<br>368 x 267 | 1            | Quarter-turn  | 8.00<br>203  |
| CSD161210LG    | 16.00 x 12.00 x 10.00<br>406 x 305 x 254 | ANSI 61 Gray      | 16       | 18       | CP1612        | CP1612G                  | 14.20 x 10.20<br>361 x 259 | 14.50 x 10.50<br>368 x 267 | 1            | Quarter-turn  | 8.00<br>203  |
| CSD161610      | 16.00 x 16.00 x 10.00<br>406 x 406 x 254 | RAL 7035 Lt. Gray | 16       | 18       | CP1616        | CP1616G                  | 14.20 x 14.20<br>361 x 361 | 14.50 x 14.50<br>368 x 368 | 1            | Quarter-turn  | 8.00<br>203  |
| CSD161610LG    | 16.00 x 16.00 x 10.00<br>406 x 406 x 254 | RAL 7035 Lt. Gray | 16       | 18       | CP1616        | CP1616G                  | 14.20 x 14.20<br>361 x 361 | 14.50 x 14.50<br>368 x 368 | 1            | Quarter-turn  | 8.00<br>203  |
| CSD162010      | 16.00 x 20.00 x 10.00<br>406 x 508 x 254 | ANSI 61 Gray      | 16       | 18       | CP2016        | CP2016G                  | 18.20 x 14.20<br>462 x 361 | 14.50 x 18.50<br>368 x 470 | 1            | Quarter-turn  | 8.00<br>203  |
| CSD162010LG    | 16.00 x 20.00 x 10.00<br>406 x 508 x 254 | RAL 7035 Lt. Gray | 16       | 18       | CP2016        | CP2016G                  | 18.20 x 14.20<br>462 x 361 | 14.50 x 18.50<br>368 x 470 | 1            | Quarter-turn  | 8.00<br>203  |
| CSD201610      | 20.00 x 16.00 x 10.00<br>508 x 406 x 254 | ANSI 61 Gray      | 16       | 18       | CP2016        | CP2016G                  | 18.20 x 14.20<br>462 x 361 | 18.50 x 14.50<br>470 x 368 | 1            | Quarter-turn  | 10.00<br>254 |
| CSD201610LG    | 20.00 x 16.00 x 10.00<br>508 x 406 x 254 | RAL 7035 Lt. Gray | 16       | 18       | CP2016        | CP2016G                  | 18.20 x 14.20<br>462 x 361 | 18.50 x 14.50<br>470 x 368 | 1            | Quarter-turn  | 10.00<br>254 |
| CSD202010      | 20.00 x 20.00 x 10.00<br>508 x 508 x 254 | ANSI 61 Gray      | 16       | 18       | CP2020        | CP2020G                  | 18.20 x 18.20<br>462 x 462 | 18.50 x 18.50<br>470 x 470 | 1            | Quarter-turn  | 10.00<br>254 |
| CSD202010LG    | 20.00 x 20.00 x 10.00<br>508 x 508 x 254 | RAL 7035 Lt. Gray | 16       | 18       | CP2020        | CP2020G                  | 18.20 x 18.20<br>462 x 462 | 18.50 x 18.50<br>470 x 470 | 1            | Quarter-turn  | 10.00<br>254 |
| CSD202410      | 20.00 x 24.00 x 10.00<br>508 x 610 x 254 | ANSI 61 Gray      | 16       | 18       | CP2420        | CP2420G                  | 22.20 x 18.20<br>564 x 462 | 18.50 x 22.50<br>470 x 572 | 1            | Quarter-turn  | 10.00<br>254 |
| CSD202410LG    | 20.00 x 24.00 x 10.00<br>508 x 610 x 254 | RAL 7035 Lt. Gray | 16       | 18       | CP2420        | CP2420G                  | 22.20 x 18.20<br>564 x 462 | 18.50 x 22.50<br>470 x 572 | 1            | Quarter-turn  | 10.00<br>254 |
| CSD241610      | 24.00 x 16.00 x 10.00<br>610 x 406 x 254 | ANSI 61 Gray      | 16       | 18       | CP2416        | CP2416G                  | 22.20 x 14.20<br>564 x 361 | 22.50 x 14.50<br>572 x 368 | 1            | Quarter-turn  | 12.00<br>305 |
| CSD241610LG    | 24.00 x 16.00 x 10.00<br>610 x 406 x 254 | RAL 7035 Lt. Gray | 16       | 18       | CP2416        | CP2416G                  | 22.20 x 14.20<br>564 x 361 | 22.50 x 14.50<br>572 x 368 | 1            | Quarter-turn  | 12.00<br>305 |
| CSD242010      | 24.00 x 20.00 x 10.00<br>610 x 508 x 254 | ANSI 61 Gray      | 16       | 18       | CP2420        | CP2420G                  | 22.20 x 18.20<br>564 x 462 | 22.50 x 18.50<br>572 x 470 | 1            | Quarter-turn  | 12.00<br>305 |
| CSD242010LG    | 24.00 x 20.00 x 10.00<br>610 x 508 x 254 | RAL 7035 Lt. Gray | 16       | 18       | CP2420        | CP2420G                  | 22.20 x 18.20<br>564 x 462 | 22.50 x 18.50<br>572 x 470 | 1            | Quarter-turn  | 12.00<br>305 |
| CSD242410      | 24.00 x 24.00 x 10.00<br>610 x 610 x 254 | ANSI 61 Gray      | 14       | 16       | CP2424        | CP2424G                  | 22.20 x 22.20<br>564 x 564 | 22.50 x 22.50<br>572 x 572 | 2            | Quarter-turn  | 5.00<br>127  |
| CSD242410LG    | 24.00 x 24.00 x 10.00<br>610 x 610 x 254 | RAL 7035 Lt. Gray | 14       | 16       | CP2424        | CP2424G                  | 22.20 x 22.20<br>564 x 564 | 22.50 x 22.50<br>572 x 572 | 2            | Quarter-turn  | 5.00<br>127  |
| CSD243010      | 24.00 x 30.00 x 10.00<br>610 x 762 x 254 | ANSI 61 Gray      | 14       | 16       | CP3024        | CP3024G                  | 28.20 x 22.20<br>716 x 564 | 22.50 x 28.50<br>572 x 724 | 2            | Quarter-turn  | 5.00<br>127  |
| CSD243010LG    | 24.00 x 30.00 x 10.00<br>610 x 762 x 254 | RAL 7035 Lt. Gray | 14       | 16       | CP3024        | CP3024G                  | 28.20 x 22.20<br>716 x 564 | 22.50 x 28.50<br>572 x 724 | 2            | Quarter-turn  | 5.00<br>127  |
| CSD302010      | 30.00 x 20.00 x 10.00<br>762 x 508 x 254 | ANSI 61 Gray      | 14       | 16       | CP3020        | CP3020G                  | 28.20 x 18.20<br>716 x 462 | 28.50 x 18.50<br>724 x 470 | 2            | Quarter-turn  | 5.00<br>127  |
| CSD302010LG    | 30.00 x 20.00 x 10.00<br>762 x 508 x 254 | RAL 7035 Lt. Gray | 14       | 16       | CP3020        | CP3020G                  | 28.20 x 18.20<br>716 x 462 | 28.50 x 18.50<br>724 x 470 | 2            | Quarter-turn  | 5.00<br>127  |
| CSD302410      | 30.00 x 24.00 x 10.00<br>762 x 610 x 254 | ANSI 61 Gray      | 14       | 16       | CP3024        | CP3024G                  | 28.20 x 22.20<br>716 x 564 | 28.50 x 22.50<br>724 x 572 | 2            | Quarter-turn  | 5.00<br>127  |
| CSD302410LG    | 30.00 x 24.00 x 10.00<br>762 x 610 x 254 | RAL 7035 Lt. Gray | 14       | 16       | CP3024        | CP3024G                  | 28.20 x 22.20<br>716 x 564 | 28.50 x 22.50<br>724 x 572 | 2            | Quarter-turn  | 5.00<br>127  |
| CSD303010      | 30.00 x 30.00 x 10.00<br>762 x 762 x 254 | ANSI 61 Gray      | 14       | 14       | CP3030        | CP3030G                  | 28.20 x 28.20<br>716 x 716 | 28.50 x 28.50<br>724 x 724 | 2            | Quarter-turn  | 5.00<br>127  |

**CONCEPT™ Wall-Mount Enclosures**

| Catalog Number | AxBxC in./mm                              | Finish            | Door Ga. | Body Ga. | CONCEPT Panel | Conductive CONCEPT Panel | Panel Size D x E in./mm     | Mounting G x H in./mm       | Latches qty. | Latches style | J in./mm     |
|----------------|---|-------------------|----------|----------|---------------|--------------------------|-----------------------------|-----------------------------|--------------|---------------|--------------|
| CSD303010LG    | 30.00 x 30.00 x 10.00<br>762 x 762 x 254  | RAL 7035 Lt. Gray | 14       | 14       | CP3030        | CP3030G                  | 28.20 x 28.20<br>716 x 716  | 28.50 x 28.50<br>724 x 724  | 2            | Quarter-turn  | 5.00<br>127  |
| CSD362410      | 36.00 x 24.00 x 10.00<br>914 x 610 x 254  | ANSI 61 Gray      | 14       | 16       | CP3624        | CP3624G                  | 34.20 x 22.20<br>869 x 564  | 34.50 x 22.50<br>876 x 572  | 2            | Quarter-turn  | 5.00<br>127  |
| CSD362410LG    | 36.00 x 24.00 x 10.00<br>914 x 610 x 254  | RAL 7035 Lt. Gray | 14       | 16       | CP3624        | CP3624G                  | 34.20 x 22.20<br>869 x 564  | 34.50 x 22.50<br>876 x 572  | 2            | Quarter-turn  | 5.00<br>127  |
| CSD363010      | 36.00 x 30.00 x 10.00<br>914 x 762 x 254  | ANSI 61 Gray      | 14       | 14       | CP3630        | CP3630G                  | 34.20 x 28.20<br>869 x 716  | 34.50 x 28.50<br>876 x 724  | 2            | Quarter-turn  | 5.00<br>127  |
| CSD363010LG    | 36.00 x 30.00 x 10.00<br>762 x 762 x 254  | RAL 7035 Lt. Gray | 14       | 14       | CP3630        | CP3630G                  | 34.20 x 28.20<br>869 x 716  | 34.50 x 28.50<br>876 x 724  | 2            | Quarter-turn  | 5.00<br>127  |
| CSD363610      | 36.00 x 36.00 x 10.00<br>914 x 914 x 254  | ANSI 61 Gray      | 14       | 14       | CP3636        | CP3636G                  | 34.20 x 34.20<br>869 x 869  | 34.50 x 34.50<br>876 x 876  | 2            | Quarter-turn  | 5.00<br>127  |
| CSD363610LG    | 36.00 x 36.00 x 10.00<br>914 x 914 x 254  | RAL 7035 Lt. Gray | 14       | 14       | CP3636        | CP3636G                  | 34.20 x 34.20<br>869 x 869  | 34.50 x 34.50<br>876 x 876  | 2            | Quarter-turn  | 5.00<br>127  |
| CSD423610      | 42.00 x 36.00 x 10.00<br>1067 x 914 x 254 | ANSI 61 Gray      | 14       | 14       | CP4236        | CP4236G                  | 40.20 x 34.20<br>1021 x 869 | 40.50 x 34.50<br>1029 x 876 | 1            | 3-point       | 21.00<br>533 |
| CSD423610LG    | 42.00 x 36.00 x 10.00<br>1067 x 914 x 254 | RAL 7035 Lt. Gray | 14       | 14       | CP4236        | CP4236G                  | 40.20 x 34.20<br>1021 x 869 | 40.50 x 34.50<br>1029 x 876 | 1            | 3-point       | 21.00<br>533 |
| CSD482410      | 48.00 x 24.00 x 10.00<br>1219 x 610 x 254 | ANSI 61 Gray      | 14       | 14       | CP4824        | CP4824G                  | 46.20 x 22.20<br>1173 x 564 | 46.50 x 22.50<br>1181 x 572 | 1            | 3-point       | 24.00<br>610 |
| CSD482410LG    | 48.00 x 24.00 x 10.00<br>1219 x 610 x 254 | RAL 7035 Lt. Gray | 14       | 14       | CP4824        | CP4824G                  | 46.20 x 22.20<br>1173 x 564 | 46.50 x 22.50<br>1181 x 572 | 1            | 3-point       | 24.00<br>610 |
| CSD483610      | 48.00 x 36.00 x 10.00<br>1219 x 914 x 254 | ANSI 61 Gray      | 14       | 14       | CP4836        | CP4836G                  | 46.20 x 34.20<br>1173 x 869 | 46.50 x 34.50<br>1181 x 876 | 1            | 3-point       | 24.00<br>610 |
| CSD483610LG    | 48.00 x 36.00 x 10.00<br>1219 x 914 x 254 | RAL 7035 Lt. Gray | 14       | 14       | CP4836        | CP4836G                  | 46.20 x 34.20<br>1173 x 869 | 46.50 x 34.50<br>1181 x 876 | 1            | 3-point       | 24.00<br>610 |
| CSD603610      | 60.00 x 36.00 x 10.00<br>1524 x 914 x 254 | ANSI 61 Gray      | 14       | 14       | CP6036        | CP6036G                  | 58.20 x 34.20<br>1478 x 869 | 58.50 x 34.50<br>1486 x 876 | 1            | 3-point       | 30.00<br>762 |
| CSD603610LG    | 60.00 x 36.00 x 10.00<br>1524 x 914 x 254 | RAL 7035 Lt. Gray | 14       | 14       | CP6036        | CP6036G                  | 58.20 x 34.20<br>1478 x 869 | 58.50 x 34.50<br>1486 x 876 | 1            | 3-point       | 30.00<br>762 |
| CSD202012      | 20.00 x 20.00 x 12.00<br>508 x 508 x 305  | ANSI 61 Gray      | 16       | 16       | CP2020        | CP2020G                  | 18.20 x 18.20<br>462 x 462  | 18.50 x 18.50<br>470 x 470  | 1            | Quarter-turn  | 10.00<br>254 |
| CSD202012LG    | 20.00 x 20.00 x 12.00<br>508 x 508 x 305  | RAL 7035 Lt. Gray | 16       | 16       | CP2020        | CP2020G                  | 18.20 x 18.20<br>462 x 462  | 18.50 x 18.50<br>470 x 470  | 1            | Quarter-turn  | 10.00<br>254 |
| CSD242012      | 24.00 x 20.00 x 12.00<br>610 x 508 x 305  | ANSI 61 Gray      | 16       | 16       | CP2420        | CP2420G                  | 22.20 x 18.20<br>564 x 462  | 22.50 x 18.50<br>572 x 470  | 1            | Quarter-turn  | 12.00<br>305 |
| CSD242012LG    | 24.00 x 20.00 x 12.00<br>610 x 508 x 305  | RAL 7035 Lt. Gray | 16       | 16       | CP2420        | CP2420G                  | 22.20 x 18.20<br>564 x 462  | 22.50 x 18.50<br>572 x 470  | 1            | Quarter-turn  | 12.00<br>305 |
| CSD242412      | 24.00 x 24.00 x 12.00<br>610 x 610 x 305  | ANSI 61 Gray      | 14       | 16       | CP2424        | CP2424G                  | 22.20 x 22.20<br>564 x 564  | 22.50 x 22.50<br>572 x 572  | 2            | Quarter-turn  | 5.00<br>127  |
| CSD242412LG    | 24.00 x 24.00 x 12.00<br>610 x 610 x 305  | RAL 7035 Lt. Gray | 14       | 16       | CP2424        | CP2424G                  | 22.20 x 22.20<br>564 x 564  | 22.50 x 22.50<br>572 x 572  | 2            | Quarter-turn  | 5.00<br>127  |
| CSD302412      | 30.00 x 24.00 x 12.00<br>762 x 610 x 305  | ANSI 61 Gray      | 14       | 16       | CP3024        | CP3024G                  | 28.20 x 22.20<br>716 x 564  | 28.50 x 22.50<br>724 x 572  | 2            | Quarter-turn  | 5.00<br>127  |
| CSD302412LG    | 30.00 x 24.00 x 12.00<br>762 x 610 x 305  | RAL 7035 Lt. Gray | 14       | 16       | CP3024        | CP3024G                  | 28.20 x 22.20<br>716 x 564  | 28.50 x 22.50<br>724 x 572  | 2            | Quarter-turn  | 5.00<br>127  |
| CSD303012      | 30.00 x 30.00 x 12.00<br>762 x 762 x 305  | ANSI 61 Gray      | 14       | 14       | CP3030        | CP3030G                  | 28.20 x 28.20<br>716 x 716  | 28.50 x 28.50<br>724 x 724  | 2            | Quarter-turn  | 5.00<br>127  |
| CSD303012LG    | 30.00 x 30.00 x 12.00<br>762 x 762 x 305  | RAL 7035 Lt. Gray | 14       | 14       | CP3030        | CP3030G                  | 28.20 x 28.20<br>716 x 716  | 28.50 x 28.50<br>724 x 724  | 2            | Quarter-turn  | 5.00<br>127  |
| CSD362412      | 36.00 x 24.00 x 12.00<br>914 x 610 x 305  | ANSI 61 Gray      | 14       | 16       | CP3624        | CP3624G                  | 34.20 x 22.20<br>869 x 564  | 34.50 x 22.50<br>876 x 572  | 2            | Quarter-turn  | 5.00<br>127  |
| CSD362412LG    | 36.00 x 24.00 x 12.00<br>914 x 610 x 305  | RAL 7035 Lt. Gray | 14       | 16       | CP3624        | CP3624G                  | 34.20 x 22.20<br>869 x 564  | 34.50 x 22.50<br>876 x 572  | 2            | Quarter-turn  | 5.00<br>127  |
| CSD363012      | 36.00 x 30.00 x 12.00<br>914 x 762 x 305  | ANSI 61 Gray      | 14       | 14       | CP3630        | CP3630G                  | 34.20 x 28.20<br>869 x 716  | 34.50 x 28.50<br>876 x 724  | 2            | Quarter-turn  | 5.00<br>127  |
| CSD363012LG    | 36.00 x 30.00 x 12.00<br>914 x 762 x 305  | RAL 7035 Lt. Gray | 14       | 14       | CP3630        | CP3630G                  | 34.20 x 28.20<br>869 x 716  | 34.50 x 28.50<br>876 x 724  | 2            | Quarter-turn  | 5.00<br>127  |
| CSD363612      | 36.00 x 36.00 x 12.00<br>914 x 914 x 305  | ANSI 61 Gray      | 14       | 14       | CP3636        | CP3636G                  | 34.20 x 34.20<br>869 x 869  | 34.50 x 34.50<br>876 x 876  | 2            | Quarter-turn  | 5.00<br>127  |
| CSD363612LG    | 36.00 x 36.00 x 12.00<br>914 x 914 x 305  | RAL 7035 Lt. Gray | 14       | 14       | CP3636        | CP3636G                  | 34.20 x 34.20<br>869 x 869  | 34.50 x 34.50<br>876 x 876  | 2            | Quarter-turn  | 5.00<br>127  |
| CSD423612      | 42.00 x 36.00 x 12.00<br>1067 x 914 x 305 | ANSI 61 Gray      | 14       | 14       | CP4236        | CP4236G                  | 40.20 x 34.20<br>1021 x 869 | 40.50 x 34.50<br>1029 x 876 | 1            | 3-point       | 21.00<br>533 |
| CSD423612LG    | 42.00 x 36.00 x 12.00<br>1067 x 914 x 305 | RAL 7035 Lt. Gray | 14       | 14       | CP4236        | CP4236G                  | 40.20 x 34.20<br>1021 x 869 | 40.50 x 34.50<br>1029 x 876 | 1            | 3-point       | 21.00<br>533 |
| CSD482412      | 48.00 x 24.00 x 12.00<br>1219 x 610 x 305 | ANSI 61 Gray      | 14       | 14       | CP4824        | CP4824G                  | 46.20 x 22.20<br>1173 x 564 | 46.50 x 22.50<br>1181 x 572 | 1            | 3-point       | 24.00<br>610 |
| CSD482412LG    | 48.00 x 24.00 x 12.00<br>1219 x 610 x 305 | RAL 7035 Lt. Gray | 14       | 14       | CP4824        | CP4824G                  | 46.20 x 22.20<br>1173 x 564 | 46.50 x 22.50<br>1181 x 572 | 1            | 3-point       | 24.00<br>610 |
| CSD483612      | 48.00 x 36.00 x 12.00<br>1219 x 914 x 305 | ANSI 61 Gray      | 14       | 14       | CP4836        | CP4836G                  | 46.20 x 34.20<br>1173 x 869 | 46.50 x 34.50<br>1181 x 876 | 1            | 3-point       | 24.00<br>610 |
| CSD483612LG    | 48.00 x 36.00 x 12.00<br>1219 x 914 x 305 | RAL 7035 Lt. Gray | 14       | 14       | CP4836        | CP4836G                  | 46.20 x 34.20<br>1173 x 869 | 46.50 x 34.50<br>1181 x 876 | 1            | 3-point       | 24.00<br>610 |
| CSD603612      | 60.00 x 36.00 x 12.00<br>1524 x 914 x 305 | ANSI 61 Gray      | 14       | 14       | CP6036        | CP6036G                  | 58.20 x 34.20<br>1478 x 869 | 58.50 x 34.50<br>1486 x 876 | 1            | 3-point       | 30.00<br>762 |





CONCEPT™ Wall-Mount Enclosures

Standard Product **Single-Door Enclosures with Windows**

| Catalog Number | AxBxC in./mm                             | Finish            | Door Ga. | Body Ga. | CONCEPT Panel | CONCEPT Conductive Panel | Panel Size D x E in./mm    | Mounting G x H in./mm      | Window Size M x N in./mm   | Latches qty. | Latches style | J in./mm     |
|----------------|--|-------------------|----------|----------|---------------|--------------------------|----------------------------|----------------------------|----------------------------|--------------|---------------|--------------|
| CSD12126W      | 12.00 x 12.00 x 6.00<br>305 x 305 x 152  | ANSI 61 Gray      | 14       | 18       | CP1212        | CP1212G                  | 10.20 x 10.20<br>259 x 259 | 10.50 x 10.50<br>267 x 267 | 8.49 x 7.30<br>216 x 185   | 1            | Quarter-turn  | 6.00<br>152  |
| CSD12126WLG    | 12.00 x 12.00 x 6.00<br>305 x 305 x 152  | RAL 7035 Lt. Gray | 14       | 18       | CP1212        | CP1212G                  | 10.20 x 10.20<br>259 x 259 | 10.50 x 10.50<br>267 x 267 | 8.49 x 7.30<br>222 x 180   | 1            | Quarter-turn  | 6.00<br>152  |
| CSD16126W      | 16.00 x 12.00 x 6.00<br>406 x 305 x 152  | ANSI 61 Gray      | 14       | 18       | CP1612        | CP1612G                  | 14.20 x 10.20<br>361 x 259 | 14.50 x 10.50<br>368 x 267 | 12.49 x 7.30<br>317 x 185  | 1            | Quarter-turn  | 8.00<br>203  |
| CSD16126WLG    | 16.00 x 12.00 x 6.00<br>406 x 305 x 152  | RAL 7035 Lt. Gray | 14       | 18       | CP1612        | CP1612G                  | 14.20 x 10.20<br>361 x 259 | 14.50 x 10.50<br>368 x 267 | 12.49 x 7.30<br>317 x 185  | 1            | Quarter-turn  | 8.00<br>203  |
| CSD20166W      | 20.00 x 16.00 x 6.00<br>508 x 406 x 152  | ANSI 61 Gray      | 14       | 18       | CP2016        | CP2016G                  | 18.20 x 14.20<br>462 x 361 | 18.50 x 14.50<br>470 x 368 | 16.49 x 11.30<br>419 x 287 | 1            | Quarter-turn  | 10.00<br>254 |
| CSD20166WLG    | 20.00 x 16.00 x 6.00<br>508 x 406 x 152  | RAL 7035 Lt. Gray | 14       | 18       | CP2016        | CP2016G                  | 18.20 x 14.20<br>462 x 361 | 18.50 x 14.50<br>470 x 368 | 16.49 x 11.30<br>419 x 287 | 1            | Quarter-turn  | 10.00<br>254 |
| CSD20206W      | 20.00 x 20.00 x 6.00<br>508 x 508 x 152  | ANSI 61 Gray      | 14       | 18       | CP2020        | CP2020G                  | 18.20 x 18.20<br>462 x 462 | 18.50 x 18.50<br>470 x 470 | 16.49 x 15.30<br>419 x 389 | 1            | Quarter-turn  | 10.00<br>254 |
| CSD20206WLG    | 20.00 x 20.00 x 6.00<br>508 x 508 x 152  | RAL 7035 Lt. Gray | 14       | 18       | CP2020        | CP2020G                  | 18.20 x 18.20<br>462 x 462 | 18.50 x 18.50<br>470 x 470 | 16.49 x 15.30<br>419 x 389 | 1            | Quarter-turn  | 10.00<br>254 |
| CSD24206W      | 24.00 x 20.00 x 6.00<br>610 x 508 x 152  | ANSI 61 Gray      | 14       | 18       | CP2420        | CP2420G                  | 22.20 x 18.20<br>564 x 462 | 22.50 x 18.50<br>572 x 470 | 20.49 x 15.30<br>520 x 389 | 1            | Quarter-turn  | 12.00<br>305 |
| CSD24206WLG    | 24.00 x 20.00 x 6.00<br>610 x 508 x 152  | RAL 7035 Lt. Gray | 14       | 18       | CP2420        | CP2420G                  | 22.20 x 18.20<br>564 x 462 | 22.50 x 18.50<br>572 x 470 | 20.49 x 15.30<br>520 x 389 | 1            | Quarter-turn  | 12.00<br>305 |
| CSD24246W      | 24.00 x 24.00 x 6.00<br>610 x 610 x 152  | ANSI 61 Gray      | 14       | 16       | CP2424        | CP2424G                  | 22.20 x 22.20<br>564 x 564 | 22.50 x 22.50<br>572 x 572 | 20.49 x 18.07<br>520 x 459 | 2            | Quarter-turn  | 5.00<br>127  |
| CSD24246WLG    | 24.00 x 24.00 x 6.00<br>610 x 610 x 152  | RAL 7035 Lt. Gray | 14       | 16       | CP2424        | CP2424G                  | 22.20 x 22.20<br>564 x 564 | 22.50 x 22.50<br>572 x 572 | 20.49 x 18.07<br>520 x 459 | 2            | Quarter-turn  | 5.00<br>127  |
| CSD16128W      | 16.00 x 12.00 x 8.00<br>406 x 305 x 203  | ANSI 61 Gray      | 14       | 18       | CP1612        | CP1612G                  | 14.20 x 10.20<br>361 x 259 | 14.50 x 10.50<br>368 x 267 | 12.49 x 7.30<br>317 x 185  | 1            | Quarter-turn  | 8.00<br>203  |
| CSD16128WLG    | 16.00 x 12.00 x 8.00<br>406 x 305 x 203  | RAL 7035 Lt. Gray | 14       | 18       | CP1612        | CP1612G                  | 14.20 x 10.20<br>361 x 259 | 14.50 x 10.50<br>368 x 267 | 12.49 x 7.30<br>317 x 185  | 1            | Quarter-turn  | 8.00<br>203  |
| CSD20168W      | 20.00 x 16.00 x 8.00<br>508 x 406 x 203  | ANSI 61 Gray      | 14       | 18       | CP2016        | CP2016G                  | 18.20 x 14.20<br>462 x 361 | 18.50 x 14.50<br>470 x 368 | 16.49 x 11.30<br>419 x 287 | 1            | Quarter-turn  | 10.00<br>254 |
| CSD20168WLG    | 20.00 x 16.00 x 8.00<br>508 x 406 x 203  | RAL 7035 Lt. Gray | 14       | 18       | CP2016        | CP2016G                  | 18.20 x 14.20<br>462 x 361 | 18.50 x 14.50<br>470 x 368 | 16.49 x 11.30<br>419 x 287 | 1            | Quarter-turn  | 10.00<br>254 |
| CSD20208W      | 20.00 x 20.00 x 8.00<br>508 x 508 x 203  | ANSI 61 Gray      | 14       | 18       | CP2020        | CP2020G                  | 18.20 x 18.20<br>462 x 462 | 18.50 x 18.50<br>470 x 470 | 16.49 x 15.30<br>419 x 389 | 1            | Quarter-turn  | 10.00<br>254 |
| CSD20208WLG    | 20.00 x 20.00 x 8.00<br>508 x 508 x 203  | RAL 7035 Lt. Gray | 14       | 18       | CP2020        | CP2020G                  | 18.20 x 18.20<br>462 x 462 | 18.50 x 18.50<br>470 x 470 | 16.49 x 15.30<br>419 x 389 | 1            | Quarter-turn  | 10.00<br>254 |
| CSD24208W      | 24.00 x 20.00 x 8.00<br>610 x 508 x 203  | ANSI 61 Gray      | 14       | 18       | CP2420        | CP2420G                  | 22.20 x 18.20<br>564 x 462 | 22.50 x 18.50<br>572 x 470 | 20.49 x 15.30<br>520 x 389 | 1            | Quarter-turn  | 12.00<br>305 |
| CSD24208WLG    | 24.00 x 20.00 x 8.00<br>610 x 508 x 203  | RAL 7035 Lt. Gray | 14       | 18       | CP2420        | CP2420G                  | 22.20 x 18.20<br>564 x 462 | 22.50 x 18.50<br>572 x 470 | 20.49 x 15.30<br>520 x 389 | 1            | Quarter-turn  | 12.00<br>305 |
| CSD24248W      | 24.00 x 24.00 x 8.00<br>610 x 610 x 203  | ANSI 61 Gray      | 14       | 16       | CP2424        | CP2424G                  | 22.20 x 22.20<br>564 x 564 | 22.50 x 22.50<br>572 x 572 | 20.49 x 18.07<br>520 x 459 | 2            | Quarter-turn  | 5.00<br>127  |
| CSD24248WLG    | 24.00 x 24.00 x 8.00<br>610 x 610 x 203  | RAL 7035 Lt. Gray | 14       | 16       | CP2424        | CP2424G                  | 22.20 x 22.20<br>564 x 564 | 22.50 x 22.50<br>572 x 572 | 20.49 x 18.07<br>520 x 459 | 2            | Quarter-turn  | 5.00<br>127  |
| CSD30248W      | 30.00 x 24.00 x 8.00<br>762 x 610 x 203  | ANSI 61 Gray      | 14       | 16       | CP3024        | CP3024G                  | 28.20 x 22.20<br>716 x 564 | 28.50 x 22.50<br>724 x 572 | 26.49 x 18.07<br>673 x 459 | 2            | Quarter-turn  | 5.00<br>127  |
| CSD30248WLG    | 30.00 x 24.00 x 8.00<br>762 x 610 x 203  | RAL 7035 Lt. Gray | 14       | 16       | CP3024        | CP3024G                  | 28.20 x 22.20<br>716 x 564 | 28.50 x 22.50<br>724 x 572 | 26.49 x 18.07<br>673 x 459 | 2            | Quarter-turn  | 5.00<br>127  |
| CSD161210W     | 16.00 x 12.00 x 10.00<br>406 x 305 x 254 | ANSI 61 Gray      | 14       | 18       | CP1612        | CP1612G                  | 14.20 x 10.20<br>361 x 259 | 14.50 x 10.50<br>368 x 267 | 12.49 x 7.30<br>317 x 185  | 1            | Quarter-turn  | 8.00<br>203  |
| CSD161210WLG   | 16.00 x 12.00 x 10.00<br>406 x 305 x 254 | RAL 7035 Lt. Gray | 14       | 18       | CP1612        | CP1612G                  | 14.20 x 10.20<br>361 x 259 | 14.50 x 10.50<br>368 x 267 | 12.49 x 7.30<br>317 x 185  | 1            | Quarter-turn  | 8.00<br>203  |
| CSD201610W     | 20.00 x 16.00 x 10.00<br>508 x 406 x 254 | ANSI 61 Gray      | 14       | 18       | CP2016        | CP2016G                  | 18.20 x 14.20<br>462 x 361 | 18.50 x 14.50<br>470 x 368 | 16.49 x 11.30<br>419 x 287 | 1            | Quarter-turn  | 10.00<br>254 |
| CSD201610WLG   | 20.00 x 16.00 x 10.00<br>508 x 406 x 254 | RAL 7035 Lt. Gray | 14       | 18       | CP2016        | CP2016G                  | 18.20 x 14.20<br>462 x 361 | 18.50 x 14.50<br>470 x 368 | 16.49 x 11.30<br>419 x 287 | 1            | Quarter-turn  | 10.00<br>254 |
| CSD202010W     | 20.00 x 20.00 x 10.00<br>508 x 508 x 254 | ANSI 61 Gray      | 14       | 18       | CP2020        | CP2020G                  | 18.20 x 18.20<br>462 x 462 | 18.50 x 18.50<br>470 x 470 | 16.49 x 15.30<br>419 x 389 | 1            | Quarter-turn  | 10.00<br>254 |
| CSD202010WLG   | 20.00 x 20.00 x 10.00<br>508 x 508 x 254 | RAL 7035 Lt. Gray | 14       | 18       | CP2020        | CP2020G                  | 18.20 x 18.20<br>462 x 462 | 18.50 x 18.50<br>470 x 470 | 16.49 x 15.30<br>419 x 389 | 1            | Quarter-turn  | 10.00<br>254 |
| CSD242010W     | 24.00 x 20.00 x 10.00<br>610 x 508 x 254 | ANSI 61 Gray      | 14       | 18       | CP2420        | CP2420G                  | 22.20 x 18.20<br>564 x 462 | 22.50 x 18.50<br>572 x 470 | 20.49 x 15.30<br>527 x 384 | 1            | Quarter-turn  | 12.00<br>305 |
| CSD242010WLG   | 24.00 x 20.00 x 10.00<br>610 x 508 x 254 | RAL 7035 Lt. Gray | 14       | 18       | CP2420        | CP2420G                  | 22.20 x 18.20<br>564 x 462 | 22.50 x 18.50<br>572 x 470 | 20.49 x 15.30<br>527 x 384 | 1            | Quarter-turn  | 12.00<br>305 |
| CSD242410W     | 24.00 x 24.00 x 10.00<br>610 x 610 x 254 | ANSI 61 Gray      | 14       | 16       | CP2424        | CP2424G                  | 22.20 x 22.20<br>564 x 564 | 22.50 x 22.50<br>572 x 572 | 20.49 x 18.07<br>520 x 459 | 2            | Quarter-turn  | 5.00<br>127  |
| CSD242410WLG   | 24.00 x 24.00 x 10.00<br>610 x 610 x 254 | RAL 7035 Lt. Gray | 14       | 16       | CP2424        | CP2424G                  | 22.20 x 22.20<br>564 x 564 | 22.50 x 22.50<br>572 x 572 | 20.49 x 18.07<br>520 x 459 | 2            | Quarter-turn  | 5.00<br>127  |
| CSD302410W     | 30.00 x 24.00 x 10.00<br>762 x 610 x 254 | ANSI 61 Gray      | 14       | 16       | CP3024        | CP3024G                  | 28.20 x 22.20<br>716 x 564 | 28.50 x 22.50<br>724 x 572 | 26.49 x 18.07<br>673 x 459 | 2            | Quarter-turn  | 5.00<br>127  |
| CSD302410WLG   | 30.00 x 24.00 x 10.00<br>762 x 610 x 254 | RAL 7035 Lt. Gray | 14       | 16       | CP3024        | CP3024G                  | 28.20 x 22.20<br>716 x 564 | 28.50 x 22.50<br>724 x 572 | 26.49 x 18.07<br>673 x 459 | 2            | Quarter-turn  | 5.00<br>127  |
| CSD202012W     | 20.00 x 20.00 x 12.00<br>508 x 508 x 305 | ANSI 61 Gray      | 14       | 16       | CP2020        | CP2020G                  | 18.20 x 18.20<br>462 x 462 | 18.50 x 18.50<br>470 x 470 | 16.49 x 15.30<br>419 x 389 | 1            | Quarter-turn  | 10.00<br>254 |

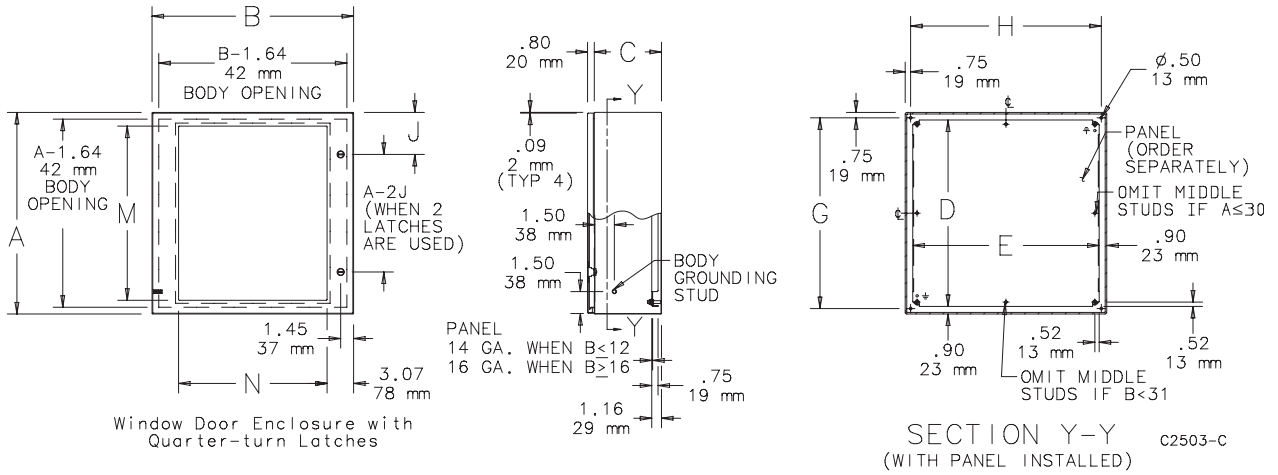
CONCEPT™ Wall-Mount Enclosures

| Catalog Number | AxBxC in./mm                             | Finish            | Door Ga. | Body Ga. | CONCEPT Panel | CONCEPT Conductive Panel | Panel Size D x E in./mm    | Mounting G x H in./mm      | Window Size M x N in./mm   | Latches qty. | Latches style | J in./mm     |
|----------------|--|-------------------|----------|----------|---------------|--------------------------|----------------------------|----------------------------|----------------------------|--------------|---------------|--------------|
| CSD202012WLG   | 20.00 x 20.00 x 12.00<br>508 x 508 x 305 | RAL 7035 Lt. Gray | 14       | 16       | CP2020        | CP2020G                  | 18.20 x 18.20<br>462 x 462 | 18.50 x 18.50<br>470 x 470 | 16.49 x 15.30<br>419 x 389 | 1            | Quarter-turn  | 10.00<br>254 |
| CSD242012W     | 24.00 x 20.00 x 12.00<br>610 x 508 x 305 | ANSI 61 Gray      | 14       | 16       | CP2420        | CP2420G                  | 22.20 x 18.20<br>564 x 462 | 22.50 x 18.50<br>572 x 470 | 20.49 x 15.30<br>520 x 389 | 1            | Quarter-turn  | 12.00<br>305 |
| CSD242012WLG   | 24.00 x 20.00 x 12.00<br>610 x 508 x 305 | RAL 7035 Lt. Gray | 14       | 16       | CP2420        | CP2420G                  | 22.20 x 18.20<br>564 x 462 | 22.50 x 18.50<br>572 x 470 | 20.49 x 15.30<br>520 x 389 | 1            | Quarter-turn  | 12.00<br>305 |
| CSD242412W     | 24.00 x 24.00 x 12.00<br>610 x 610 x 305 | ANSI 61 Gray      | 14       | 16       | CP2424        | CP2424G                  | 22.20 x 22.20<br>564 x 564 | 22.50 x 22.50<br>572 x 572 | 20.49 x 18.07<br>520 x 459 | 2            | Quarter-turn  | 5.00<br>127  |
| CSD242412WLG   | 24.00 x 24.00 x 12.00<br>610 x 610 x 305 | RAL 7035 Lt. Gray | 14       | 16       | CP2424        | CP2424G                  | 22.20 x 22.20<br>564 x 564 | 22.50 x 22.50<br>572 x 572 | 20.49 x 18.07<br>527 x 449 | 2            | Quarter-turn  | 5.00<br>127  |
| CSD302412W     | 30.00 x 24.00 x 12.00<br>762 x 610 x 305 | ANSI 61 Gray      | 14       | 16       | CP3024        | CP3024G                  | 28.20 x 22.20<br>716 x 564 | 28.50 x 22.50<br>724 x 572 | 26.49 x 18.07<br>673 x 459 | 2            | Quarter-turn  | 5.00<br>127  |
| CSD302412WLG   | 30.00 x 24.00 x 12.00<br>762 x 610 x 305 | RAL 7035 Lt. Gray | 14       | 16       | CP3024        | CP3024G                  | 28.20 x 22.20<br>716 x 564 | 28.50 x 22.50<br>724 x 572 | 26.49 x 18.07<br>679 x 449 | 2            | Quarter-turn  | 5.00<br>127  |
| CSD242416W     | 24.00 x 24.00 x 16.00<br>610 x 610 x 406 | ANSI 61 Gray      | 14       | 14       | CP2424        | CP2424G                  | 22.20 x 22.20<br>564 x 564 | 22.50 x 22.50<br>572 x 572 | 20.49 x 18.07<br>520 x 459 | 2            | Quarter-turn  | 5.00<br>127  |
| CSD242416WLG   | 24.00 x 24.00 x 16.00<br>610 x 610 x 406 | RAL 7035 Lt. Gray | 14       | 14       | CP2424        | CP2424G                  | 22.20 x 22.20<br>564 x 564 | 22.50 x 22.50<br>572 x 572 | 20.49 x 18.07<br>520 x 459 | 2            | Quarter-turn  | 5.00<br>127  |
| CSD242420W     | 24.00 x 24.00 x 20.00<br>610 x 610 x 508 | ANSI 61 Gray      | 14       | 14       | CP2424        | CP2424G                  | 22.20 x 22.20<br>564 x 564 | 22.50 x 22.50<br>572 x 572 | 20.49 x 18.07<br>520 x 459 | 2            | Quarter-turn  | 5.00<br>127  |
| CSD242420WLG   | 24.00 x 24.00 x 20.00<br>610 x 610 x 508 | RAL 7035 Lt. Gray | 14       | 14       | CP2424        | CP2424G                  | 22.20 x 22.20<br>564 x 564 | 22.50 x 22.50<br>572 x 572 | 20.49 x 18.07<br>520 x 459 | 2            | Quarter-turn  | 5.00<br>127  |
| CSD302420W     | 30.00 x 24.00 x 20.00<br>762 x 610 x 508 | ANSI 61 Gray      | 14       | 14       | CP3024        | CP3024G                  | 28.20 x 22.20<br>716 x 564 | 28.50 x 22.50<br>724 x 572 | 26.49 x 18.07<br>673 x 459 | 2            | Quarter-turn  | 5.00<br>127  |
| CSD302420WLG   | 30.00 x 24.00 x 20.00<br>762 x 610 x 508 | RAL 7035 Lt. Gray | 14       | 14       | CP3024        | CP3024G                  | 28.20 x 22.20<br>716 x 564 | 28.50 x 22.50<br>724 x 572 | 26.49 x 18.07<br>673 x 459 | 2            | Quarter-turn  | 5.00<br>127  |

Purchase panels separately.

Optional NEMA-size panels require conversion kit Catalog Number CCPM4.

CONCEPT Single-Door Wall-Mounted Enclosures with Windows



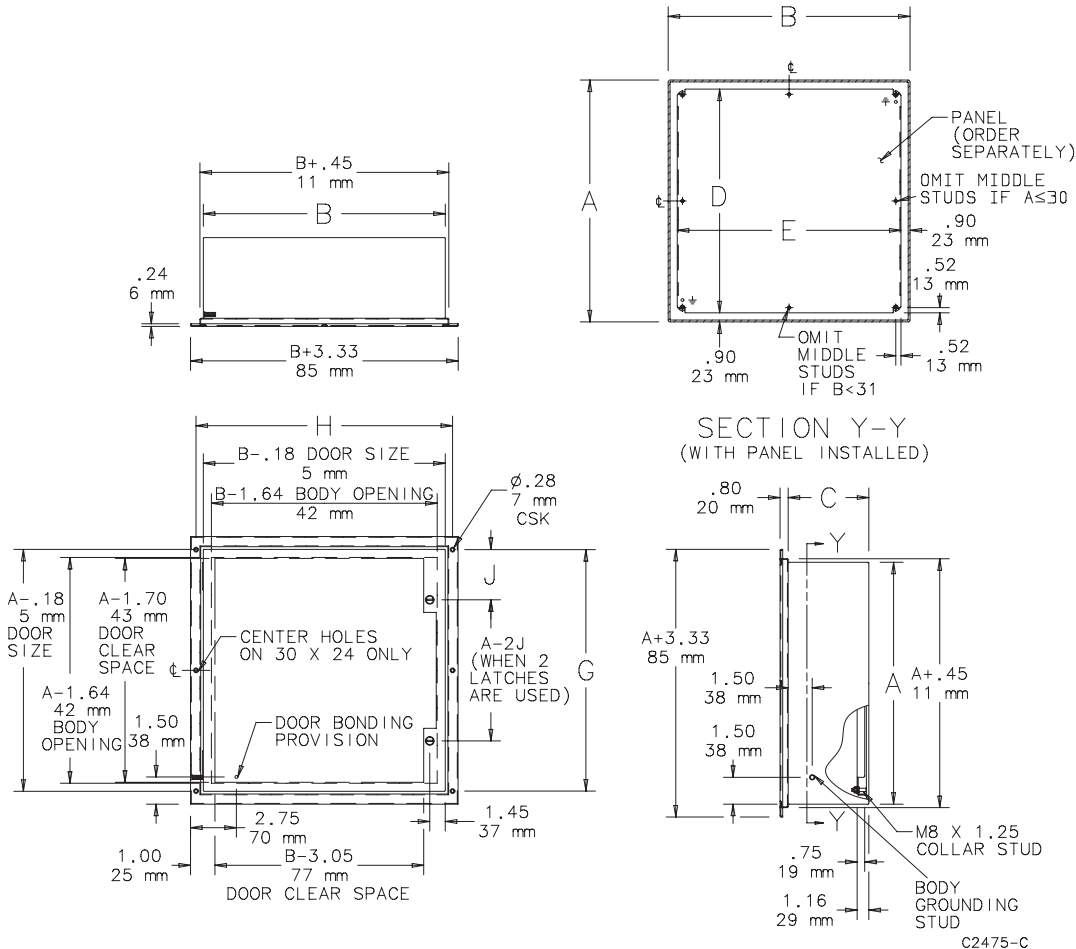
### CONCEPT™ Wall-Mount Enclosures

#### Standard Product Flush-Mounted Enclosures

| Catalog Number | AxBxC in./mm                            | Finish            | Door Ga. | Body Ga. | CONCEPT Panel | Conductive CONCEPT Panel | Panel Size D x E in./mm    | Mounting G x H in./mm      | Latches qty. | Latches style | J in./mm     |
|----------------|---|-------------------|----------|----------|---------------|--------------------------|----------------------------|----------------------------|--------------|---------------|--------------|
| CFM12126       | 12.00 x 12.00 x 6.00<br>305 x 305 x 152 | ANSI 61 Gray      | 16       | 16       | CP1212        | CP1212G                  | 10.20 x 10.20<br>259 x 259 | 12.75 x 14.25<br>324 x 362 | 1            | Quarter-turn  | 6.00<br>152  |
| CFM12126LG     | 12.00 x 12.00 x 6.00<br>305 x 305 x 152 | RAL 7035 Lt. Gray | 16       | 16       | CP1212        | CP1212G                  | 10.20 x 10.20<br>259 x 259 | 12.75 x 14.25<br>324 x 362 | 1            | Quarter-turn  | 6.00<br>152  |
| CFM16126       | 16.00 x 12.00 x 6.00<br>406 x 305 x 152 | ANSI 61 Gray      | 16       | 16       | CP1612        | CP1612G                  | 14.20 x 10.20<br>361 x 259 | 16.75 x 14.25<br>425 x 362 | 1            | Quarter-turn  | 8.00<br>203  |
| CFM16126LG     | 16.00 x 12.00 x 6.00<br>406 x 305 x 152 | RAL 7035 Lt. Gray | 16       | 16       | CP1612        | CP1612G                  | 14.20 x 10.20<br>361 x 259 | 16.75 x 14.25<br>425 x 362 | 1            | Quarter-turn  | 8.00<br>203  |
| CFM20166       | 20.00 x 16.00 x 6.00<br>508 x 406 x 152 | ANSI 61 Gray      | 16       | 16       | CP2016        | CP2016G                  | 18.20 x 14.20<br>462 x 361 | 20.75 x 18.25<br>527 x 463 | 1            | Quarter-turn  | 10.00<br>254 |
| CFM20166LG     | 20.00 x 16.00 x 6.00<br>508 x 406 x 152 | RAL 7035 Lt. Gray | 16       | 16       | CP2016        | CP2016G                  | 18.20 x 14.20<br>462 x 361 | 20.75 x 18.25<br>527 x 463 | 1            | Quarter-turn  | 10.00<br>254 |
| CFM20206       | 20.00 x 20.00 x 6.00<br>508 x 508 x 152 | ANSI 61 Gray      | 16       | 16       | CP2020        | CP2020G                  | 18.20 x 18.20<br>462 x 462 | 20.75 x 22.25<br>527 x 565 | 1            | Quarter-turn  | 10.00<br>254 |
| CFM20206LG     | 20.00 x 20.00 x 6.00<br>508 x 508 x 152 | RAL 7035 Lt. Gray | 16       | 16       | CP2020        | CP2020G                  | 18.20 x 18.20<br>462 x 462 | 20.75 x 22.25<br>527 x 565 | 1            | Quarter-turn  | 10.00<br>254 |
| CFM24208       | 24.00 x 20.00 x 8.00<br>610 x 508 x 203 | ANSI 61 Gray      | 16       | 16       | CP2420        | CP2420G                  | 22.20 x 18.20<br>564 x 462 | 24.75 x 22.25<br>629 x 565 | 1            | Quarter-turn  | 12.00<br>305 |
| CFM24208LG     | 24.00 x 20.00 x 8.00<br>610 x 508 x 203 | RAL 7035 Lt. Gray | 16       | 16       | CP2420        | CP2420G                  | 22.20 x 18.20<br>564 x 462 | 24.75 x 22.25<br>629 x 565 | 1            | Quarter-turn  | 12.00<br>305 |
| CFM24248       | 24.00 x 24.00 x 8.00<br>610 x 610 x 203 | ANSI 61 Gray      | 14       | 16       | CP2424        | CP2424G                  | 22.20 x 22.20<br>564 x 564 | 24.75 x 26.25<br>629 x 667 | 2            | Quarter-turn  | 5.00<br>127  |
| CFM24248LG     | 24.00 x 24.00 x 8.00<br>610 x 610 x 203 | RAL 7035 Lt. Gray | 14       | 16       | CP2424        | CP2424G                  | 22.20 x 22.20<br>564 x 564 | 24.75 x 26.25<br>629 x 667 | 2            | Quarter-turn  | 5.00<br>127  |
| CFM30248       | 30.00 x 24.00 x 8.00<br>762 x 610 x 203 | ANSI 61 Gray      | 14       | 16       | CP3024        | CP3024G                  | 28.20 x 22.20<br>716 x 564 | 30.75 x 26.25<br>781 x 667 | 2            | Quarter-turn  | 5.00<br>127  |
| CFM30248LG     | 30.00 x 24.00 x 8.00<br>762 x 610 x 203 | RAL 7035 Lt. Gray | 14       | 16       | CP3024        | CP3024G                  | 28.20 x 22.20<br>716 x 564 | 30.75 x 26.25<br>781 x 667 | 2            | Quarter-turn  | 5.00<br>127  |

Purchase panels separately.

Optional NEMA-size panels require conversion kit Catalog Number CCPM4.





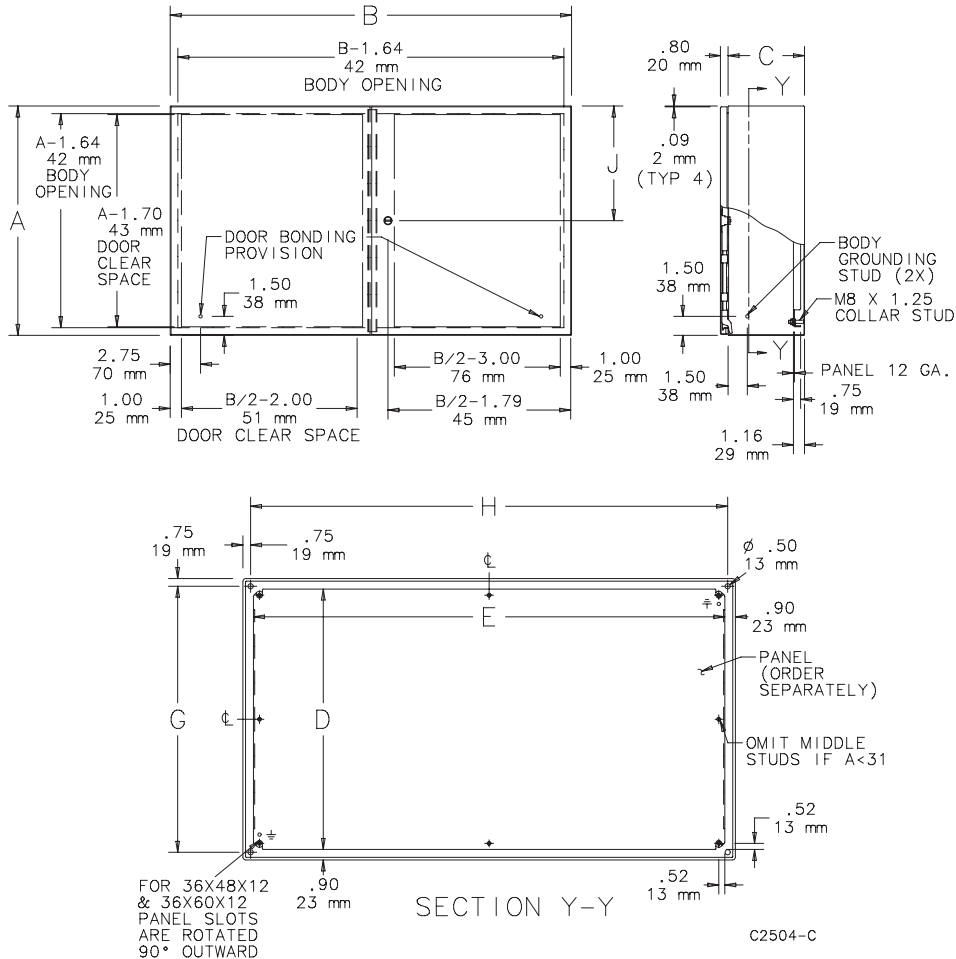
CONCEPT™ Wall-Mount Enclosures

Standard Product Two-Door Enclosures

| Catalog Number | Ax B x C in./mm                           | Finish            | Door Ga. | Body Ga. | CONCEPT Panel | Conductive CONCEPT Panel | Panel Size                 | Mounting                    | Latches qty. | Latches style | J            |
|----------------|---|-------------------|----------|----------|---------------|--------------------------|----------------------------|-----------------------------|--------------|---------------|--------------|
|                |   |                   |          |          |               |                          | D x E in./mm               | G x H in./mm                |              |               | in./mm       |
| CTD24428       | 24.00 x 42.00 x 8.00<br>610 x 1067 x 203  | ANSI 61 Gray      | 14       | 14       | CP2442        | CP2442G                  | 22.20 x 40.20<br>259 x 564 | 22.50 x 40.50<br>572 x 1029 | 1            | 3-point       | 12.00<br>305 |
| CTD24428LG     | 24.00 x 42.00 x 8.00<br>610 x 1067 x 203  | RAL 7035 Lt. Gray | 14       | 14       | CP2442        | CP2442G                  | 22.20 x 40.20<br>259 x 564 | 22.50 x 40.50<br>572 x 1029 | 1            | 3-point       | 12.00<br>305 |
| CTD30488       | 30.00 x 48.00 x 8.00<br>762 x 1219 x 203  | ANSI 61 Gray      | 14       | 14       | CP3048        | CP3048G                  | 28.20 x 46.20<br>259 x 716 | 28.50 x 46.50<br>724 x 1181 | 1            | 3-point       | 15.00<br>381 |
| CTD30488LG     | 30.00 x 48.00 x 8.00<br>762 x 1219 x 203  | RAL 7035 Lt. Gray | 14       | 14       | CP3048        | CP3048G                  | 28.20 x 46.20<br>259 x 716 | 28.50 x 46.50<br>724 x 1181 | 1            | 3-point       | 15.00<br>381 |
| CTD306012      | 30.00 x 60.00 x 12.00<br>762 x 1524 x 305 | ANSI 61 Gray      | 14       | 14       | CP3060        | CP3060G                  | 28.20 x 58.20<br>361 x 716 | 28.50 x 58.50<br>724 x 1486 | 1            | 3-point       | 15.00<br>381 |
| CTD306012LG    | 30.00 x 60.00 x 12.00<br>762 x 1524 x 305 | RAL 7035 Lt. Gray | 14       | 14       | CP3060        | CP3060G                  | 28.20 x 58.20<br>361 x 716 | 28.50 x 58.50<br>724 x 1486 | 1            | 3-point       | 15.00<br>381 |
| CTD364812      | 36.00 x 48.00 x 12.00<br>914 x 1219 x 305 | ANSI 61 Gray      | 14       | 14       | CP4836        | CP4836G                  | 34.20 x 46.20<br>462 x 869 | 34.50 x 46.50<br>876 x 1181 | 1            | 3-point       | 18.00<br>457 |
| CTD364812LG    | 36.00 x 48.00 x 12.00<br>914 x 1219 x 305 | RAL 7035 Lt. Gray | 14       | 14       | CP4836        | CP4836G                  | 34.20 x 46.20<br>462 x 869 | 34.50 x 46.50<br>876 x 1181 | 1            | 3-point       | 18.00<br>457 |
| CTD366012      | 36.00 x 60.00 x 12.00<br>914 x 1524 x 305 | ANSI 61 Gray      | 14       | 14       | CP6036        | CP6036G                  | 34.20 x 58.20<br>462 x 869 | 34.50 x 58.50<br>876 x 1486 | 1            | 3-point       | 18.00<br>457 |
| CTD366012LG    | 36.00 x 60.00 x 12.00<br>914 x 1524 x 305 | RAL 7035 Lt. Gray | 14       | 14       | CP6036        | CP6036G                  | 34.20 x 58.20<br>462 x 869 | 34.50 x 58.50<br>876 x 1486 | 1            | 3-point       | 18.00<br>457 |

Purchase panels separately.

Optional NEMA-size panels require conversion kit Catalog Number CCPM4.





## CONCEPT™ Wall-Mount Enclosures

### Notes