

INLINE® Landscape Instrumentation Enclosures and Accessories
INLINE® Landscape, Type 4X (s-3035)

Industry Standards

 UL 508A Listed; Type 4, 4X, 12; File Number E61997
 cUL Listed per CSA C22.2 No 94; Type 4, 4X, 12; File Number E61997

 NEMA/EEMAC Type 4, 4X, 12
 CSA File Number 42186: Type 4, 4X, 12
 IEC 60529, IP66

Application

When applications require mounting electrical components the full width of the enclosure, the landscape orientation of this aesthetic INLINE® Enclosure makes this possible. The full-width mounting brackets can be drilled anywhere along their length, providing maximum mounting flexibility.

Specifications

- 14 gauge Type 304 stainless steel body; 16 gauge Type 304 stainless steel door
- Seams continuously welded and ground smooth
- External formed body flange trough
- Large perimeter body opening
- Mounting brackets are spot-welded to top and bottom of enclosure

- Mounting brackets have predrilled mounting holes; customer-specific location holes can be drilled for mounting flexibility
- Seamless foam-in-place gasket
- M6 ground stud with base flange on body; M6 bonding provision with base flange on door
- Furnished hardware kit includes panel mounting screws and grounding hardware
- Hinged door with removable hinge pins and self-grounding quarter-turn latch system with double seal
- Door opens 180 degrees
- Window door models include 3/16-in. (4.8-mm) clear polycarbonate window mounted flush with door surface

Finish

Type 304 stainless steel with #4 brushed finish. Back is not brushed.

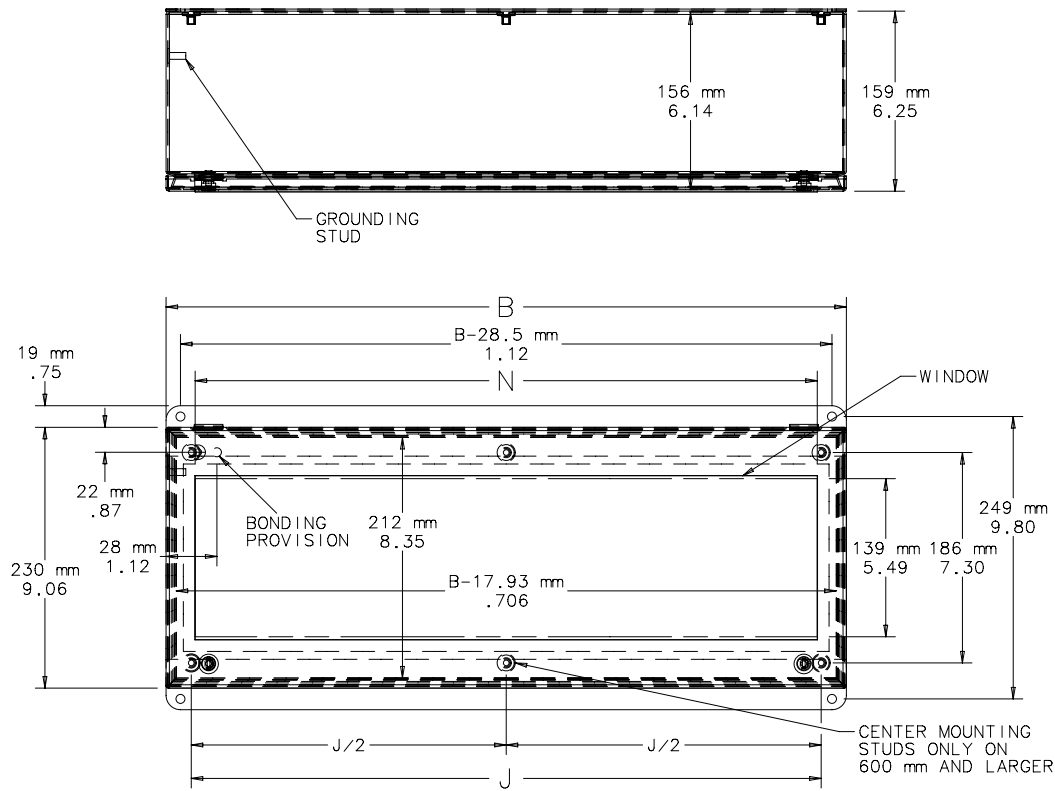
Accessories

See also *Accessories*.
 Mounting Bracket Kit
 Lock Inserts
 Wing Knob Latch
 Grounding Kit
 DIN3 Type Rail
 DIN Rail or Panel-Mounting Brackets

Bulletin: A54S
Standard Product

Catalog Number	AxBxC in./mm	Enclosure B mm/in.	Window N mm/in.	Mtg. Holes H mm/in.	Mtg. Studs J mm/in.	Clear Space Above Panel mm/in.
LHC233116SS	9.06 x 12.20 x 6.10	310	—	281	265	140
	230 x 310 x 155	12.21	—	11.08	10.45	5.51
LWC233116SS	9.06 x 12.20 x 6.10	310	259	281	265	140
	230 x 310 x 155	12.21	10.20	11.08	10.45	5.51
LHC234616SS	9.06 x 18.11 x 6.10	460	—	431	416	140
	230 x 460 x 155	18.11	—	16.99	16.36	5.51
LWC234616SS	9.06 x 18.11 x 6.10	460	409	431	416	140
	230 x 460 x 155	18.11	16.11	16.99	16.36	5.51
LHC236016SS	9.06 x 23.62 x 6.10	600	—	571	556	140
	230 x 600 x 155	23.62	—	22.50	21.88	5.51
LWC236016SS	9.06 x 23.62 x 6.10	600	549	571	556	140
	230 x 600 x 155	23.62	21.62	22.50	21.88	5.51
LHC237716SS	9.06 x 30.31 x 6.10	770	—	741	726	140
	230 x 770 x 155	30.32	—	29.19	28.57	5.51
LWC237716SS	9.06 x 30.31 x 6.10	770	719	741	726	140
	230 x 770 x 155	30.32	28.31	29.19	28.57	5.51
LHC239316SS	9.06 x 36.61 x 6.10	925	—	896	881	140
	230 x 930 x 155	36.42	—	35.29	34.67	5.51
LWC239316SS	9.06 x 36.61 x 6.10	925	874	896	881	140
	230 x 930 x 155	36.42	34.42	35.29	34.67	5.51

INLINE® Landscape Instrumentation Enclosures and Accessories



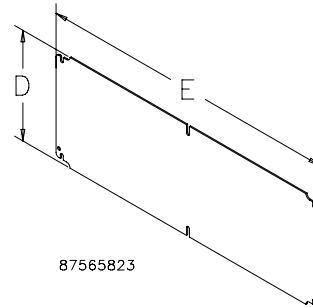
87565822

INLINE® Landscape Panels (s-37946)

Panels are 12 gauge steel with a white polyester powder paint or conductive finish. They include a labeled ground hole sized for an M6 screw. Panels mount on studs provided in the enclosure or to optional DIN mounting brackets.

Bulletin: A54P

Catalog Number	Conductive Panel	Panel Size D x E (mm)	Panel Size D x E (in.)
LP2331	LP2331G	211 x 291	8.31 x 11.46
LP2346	LP2346G	211 x 441	8.31 x 17.36
LP2360	LP2360G	211 x 581	8.31 x 22.87
LP2377	LP2377G	211 x 751	8.31 x 29.57
LP2393	LP2393G	211 x 906	8.31 x 35.67



87565823

Optional Components Selection Guide (s-43576)

Use the table to assist with selection of the optional components for the appropriate INLINE enclosure.

Bulletin: A54S

Catalog Number	AxBxC in.	AxBxC mm	Solid or Window Cover Enclosure	Panel	Conductive	DIN Rail	DIN Rail or Panel Mounting Bracket
LHC233116SS	9.06 x 12.20 x 6.10	230 x 310 x 155	Solid Cover	LP2331	LP2331G	LDR3P31	LMK23
LWC233116SS	9.06 x 12.20 x 6.10	230 x 310 x 155	Window Cover	LP2331	LP2331G	LDR3P31	LMK23
LHC234616SS	9.06 x 18.11 x 6.10	230 x 460 x 155	Solid Cover	LP2346	LP2346G	LDR3P46	LMK23
LWC234616SS	9.06 x 18.11 x 6.10	230 x 460 x 155	Window Cover	LP2346	LP2346G	LDR3P46	LMK23
LHC236016SS	9.06 x 23.62 x 6.10	230 x 600 x 155	Solid Cover	LP2360	LP2360G	LDR3P60	LMK23
LWC236016SS	9.06 x 23.62 x 6.10	230 x 600 x 155	Window Cover	LP2360	LP2360G	LDR3P60	LMK23
LHC237716SS	9.06 x 30.31 x 6.10	230 x 770 x 155	Solid Cover	LP2377	LP2377G	LDR3P77	LMK23
LWC237716SS	9.06 x 30.31 x 6.10	230 x 770 x 155	Window Cover	LP2377	LP2377G	LDR3P77	LMK23
LHC239316SS	9.06 x 36.61 x 6.10	230 x 930 x 155	Solid Cover	LP2393	LP2393G	LDR3P93	LMK23
LWC239316SS	9.06 x 36.61 x 6.10	230 x 930 x 155	Window Cover	LP2393	LP2393G	LDR3P93	LMK23

600-mm and longer enclosures require two sets of brackets for mounting panels.