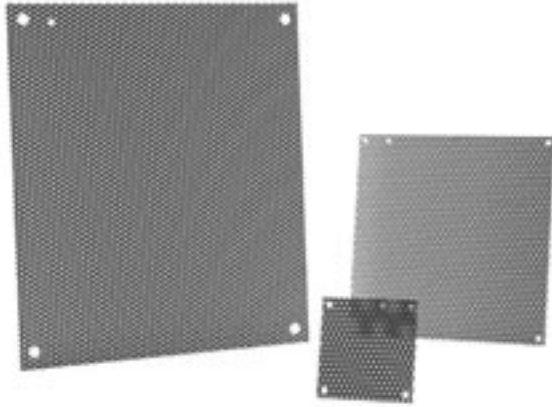


Panels for Enclosures

Perforated Panels

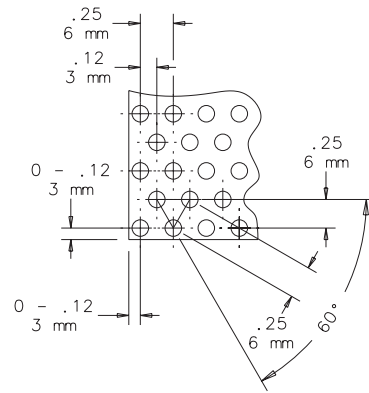
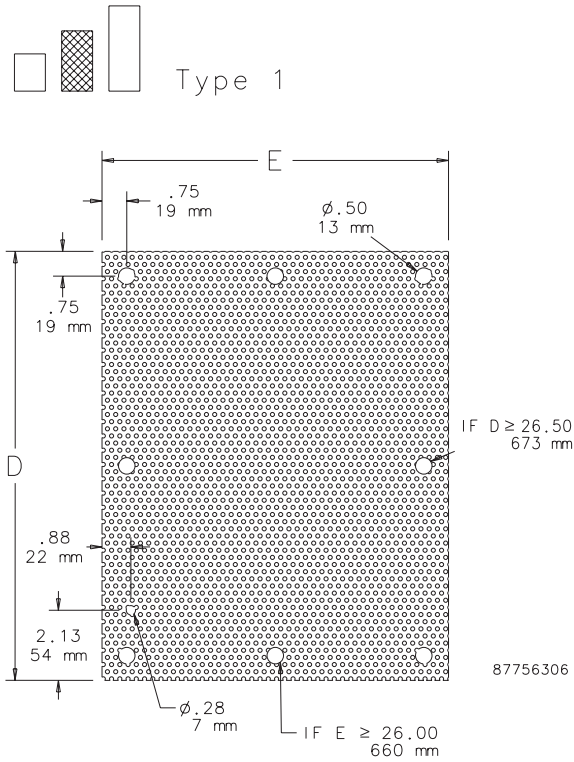
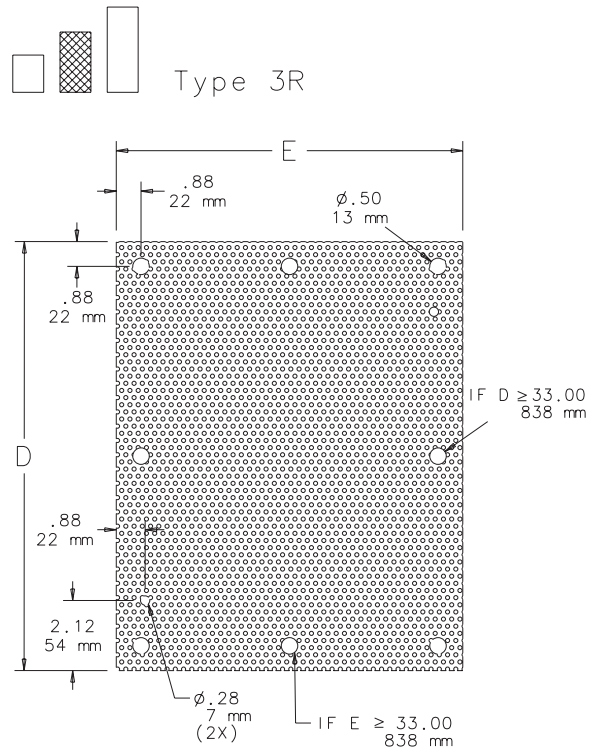
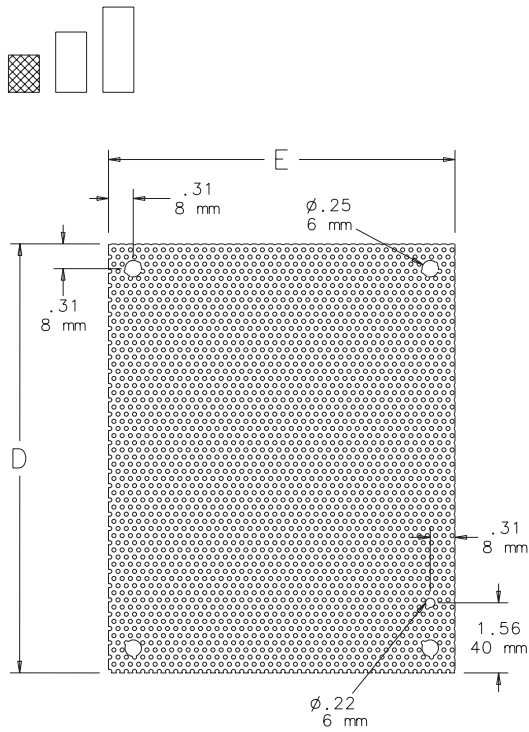


Perforated panels are 16 gauge steel and accept self-tapping screws and eliminate the need to measure, mark and drill when mounting components. Use for mounting lightweight control components.

Bulletin: PNL P

| Catalog Number | Use in | Panel Size D x E (in.) | Panel Size D x E (mm) |
|----------------|---|------------------------|-----------------------|
| A6N6PP | Small Type 1 Panel Enclosures and Small Type 3R Boxes | 4.25 x 4.25 | 108 x 108 |
| A8N6PP | Small Type 1 Panel Enclosures and Small Type 3R Boxes | 6.25 x 4.25 | 159 x 108 |
| A8N8PP | Small Type 1 Panel Enclosures and Small Type 3R Boxes | 6.25 x 6.25 | 159 x 159 |
| A10N8PP | Small Type 1 Panel Enclosures and Small Type 3R Boxes | 8.25 x 6.25 | 210 x 159 |
| A10N10PP | Small Type 1 Panel Enclosures and Small Type 3R Boxes | 8.25 x 8.25 | 210 x 210 |
| A12N10PP | Small Type 1 Panel Enclosures and Small Type 3R Boxes | 10.25 x 8.25 | 260 x 210 |
| A12N12PP | Small Type 1 Panel Enclosures and Small Type 3R Boxes | 10.25 x 10.25 | 260 x 260 |
| A14N12PP | Small Type 1 Panel Enclosures and Small Type 3R Boxes | 12.25 x 10.25 | 311 x 260 |
| A16N12PP | Small Type 1 Panel Enclosures and Small Type 3R Boxes | 14.25 x 10.25 | 362 x 260 |
| A20N12PP | Small Type 1 Panel Enclosures and Small Type 3R Boxes | 18.25 x 10.25 | 464 x 260 |
| A16N12MPP | Medium Type 1 Panel Enclosures | 10.50 x 13.00 | 267 x 330 |
| A16N16MPP | Medium Type 1 Panel Enclosures | 14.50 x 13.00 | 368 x 330 |
| A16N20MPP | Medium Type 1 Panel Enclosures | 18.50 x 13.00 | 470 x 330 |
| A18N18MPP | Medium Type 1 Panel Enclosures | 16.50 x 15.00 | 419 x 381 |
| A20N12MPP | Medium Type 1 Panel Enclosures | 10.50 x 17.00 | 267 x 432 |
| A20N16MPP | Medium Type 1 Panel Enclosures | 14.50 x 17.00 | 368 x 432 |
| A20N20MPP | Medium Type 1 Panel Enclosures | 18.50 x 17.00 | 470 x 432 |
| A24N16MPP | Medium Type 1 Panel Enclosures | 14.50 x 21.00 | 368 x 533 |
| A24N20MPP | Medium Type 1 Panel Enclosures | 18.50 x 21.00 | 470 x 533 |
| A24N24MPP | Medium Type 1 Panel Enclosures | 22.50 x 21.00 | 572 x 533 |
| A30N20MPP | Medium Type 1 Panel Enclosures | 18.50 x 26.00 | 470 x 660 |
| A30N24MPP | Medium Type 1 Panel Enclosures | 22.50 x 26.00 | 572 x 660 |
| A30N30MPP | Medium Type 1 Panel Enclosures | 28.50 x 26.00 | 724 x 660 |
| A36N24MPP | Medium Type 1 Panel Enclosures | 22.50 x 32.00 | 572 x 813 |
| A36N30MPP | Medium Type 1 Panel Enclosures | 26.50 x 32.00 | 724 x 813 |
| A16P12PP | Medium Type 3R Hinged-Cover Panel Enclosures | 13.00 x 9.00 | 330 x 229 |
| A16P16PP | Medium Type 3R Hinged-Cover Panel Enclosures | 13.00 x 13.00 | 330 x 330 |
| A20P16PP | Medium Type 3R Hinged-Cover Panel Enclosures | 17.00 x 13.00 | 432 x 330 |
| A18P18PP | Medium Type 3R Hinged-Cover Panel Enclosures | 15.00 x 15.00 | 381 x 381 |
| A20P20PP | Medium Type 3R Hinged-Cover Panel Enclosures | 17.00 x 17.00 | 432 x 432 |
| A24P20PP | Medium Type 3R Hinged-Cover Panel Enclosures | 21.00 x 17.00 | 533 x 432 |
| A24P24PP | Medium Type 3R Hinged-Cover Panel Enclosures | 21.00 x 21.00 | 533 x 533 |
| A30P24PP | Medium Type 3R Hinged-Cover Panel Enclosures | 27.00 x 21.00 | 686 x 533 |
| A36P24PP | Medium Type 3R Hinged-Cover Panel Enclosures | 33.00 x 21.00 | 838 x 533 |
| A30P30PP | Medium Type 3R Hinged-Cover Panel Enclosures | 27.00 x 27.00 | 686 x 686 |
| A36P30PP | Medium Type 3R Hinged-Cover Panel Enclosures | 33.00 x 27.00 | 838 x 686 |
| A36P36PP | Medium Type 3R Hinged-Cover Panel Enclosures | 33.00 x 33.00 | 838 x 838 |

Panels for Enclosures



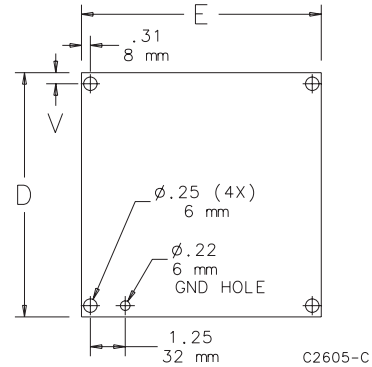
Panels for Enclosures

Panels for Junction Boxes



Steel panels are 14 gauge, finished with white polyester powder paint or with a conductive, corrosion-resistant coating. Stainless steel panels are 14 gauge Type 304 and have a commercial #2B finish which is protected on one side with a plastic film. Aluminum panels are 5052-H32 aluminum alloy 0.080-in. (2-mm) thick and protected on one side with a plastic film. Panel mounting hardware is furnished with all enclosures which accept these panels.

Bulletin: PNLJ, PNLWM



| Catalog Number | Material | Panel Size D x E (in.) | Panel Size D x E (mm) | V (in.) | V (mm) |
|----------------|------------------|------------------------|-----------------------|---------|--------|
| A6P4 | Painted steel | 4.88 x 2.88 | 124 x 73 | 0.31 | 8 |
| A6P4G | Conductive steel | 4.88 x 2.88 | 124 x 73 | 0.31 | 8 |
| A6P4SS | Stainless Steel | 4.88 x 2.88 | 124 x 73 | 0.31 | 8 |
| A6P4AL | Aluminum | 4.88 x 2.88 | 124 x 73 | 0.31 | 8 |
| A6P6 | Painted steel | 4.88 x 4.88 | 124 x 124 | 0.31 | 8 |
| A6P6G | Conductive steel | 4.88 x 4.88 | 124 x 124 | 0.31 | 8 |
| A6P6SS | Stainless Steel | 4.88 x 4.88 | 124 x 124 | 0.31 | 8 |
| A6P6AL | Aluminum | 4.88 x 4.88 | 124 x 124 | 0.31 | 8 |
| A8P6 | Painted steel | 6.75 x 4.88 | 171 x 124 | 0.25 | 6 |
| A8P6G | Conductive steel | 6.75 x 4.88 | 171 x 124 | 0.25 | 6 |
| A8P6SS | Stainless Steel | 6.75 x 4.88 | 171 x 124 | 0.25 | 6 |
| A8P6AL | Aluminum | 6.75 x 4.88 | 171 x 124 | 0.25 | 6 |
| A8P8 | Painted steel | 6.75 x 6.88 | 171 x 175 | 0.25 | 6 |
| A8P8AL | Aluminum | 6.75 x 6.88 | 171 x 175 | 0.25 | 6 |
| A10P8 | Painted steel | 8.75 x 6.88 | 222 x 175 | 0.25 | 6 |
| A10P8G | Conductive steel | 8.75 x 6.88 | 222 x 175 | 0.25 | 6 |
| A10P8SS | Stainless Steel | 8.75 x 6.88 | 222 x 175 | 0.25 | 6 |
| A10P8AL | Aluminum | 8.75 x 6.88 | 222 x 175 | 0.25 | 6 |
| A10P10 | Painted steel | 8.75 x 8.88 | 222 x 226 | 0.25 | 6 |
| A10P10G | Conductive steel | 8.75 x 8.88 | 222 x 226 | 0.25 | 6 |
| A10P10AL | Aluminum | 8.75 x 8.88 | 222 x 226 | 0.25 | 6 |
| A12P6 | Painted steel | 10.75 x 4.88 | 273 x 124 | 0.25 | 6 |
| A12P6G | Conductive steel | 10.75 x 4.88 | 273 x 124 | 0.25 | 6 |
| A12P10 | Painted steel | 10.75 x 8.88 | 273 x 226 | 0.25 | 6 |
| A12P10G | Conductive steel | 10.75 x 8.88 | 273 x 226 | 0.25 | 6 |
| A12P10SS | Stainless Steel | 10.75 x 8.88 | 273 x 226 | 0.25 | 6 |
| A12P10AL | Aluminum | 10.75 x 8.88 | 273 x 226 | 0.25 | 6 |
| A12P12 | Painted steel | 10.75 x 10.88 | 273 x 276 | 0.25 | 6 |
| A12P12G | Conductive steel | 10.75 x 10.88 | 273 x 276 | 0.25 | 6 |
| A12P12SS | Stainless Steel | 10.75 x 10.88 | 273 x 276 | 0.25 | 6 |
| A14P8 | Painted steel | 12.75 x 6.88 | 324 x 175 | 0.25 | 6 |
| A14P8G | Conductive steel | 12.75 x 6.88 | 324 x 175 | 0.25 | 6 |
| A14P12 | Painted steel | 12.75 x 10.88 | 324 x 276 | 0.25 | 6 |
| A14P12G | Conductive steel | 12.75 x 10.88 | 324 x 276 | 0.25 | 6 |
| A14P12SS | Stainless Steel | 12.75 x 10.88 | 324 x 276 | 0.25 | 6 |
| A14P12AL | Aluminum | 12.75 x 10.88 | 324 x 276 | 0.25 | 6 |
| A16P10 | Painted steel | 14.75 x 8.88 | 375 x 226 | 0.25 | 6 |
| A16P10G | Conductive steel | 14.75 x 8.88 | 375 x 226 | 0.25 | 6 |
| A16P14 | Painted steel | 14.75 x 12.88 | 375 x 327 | 0.25 | 6 |
| A16P14G | Conductive steel | 14.75 x 12.88 | 375 x 327 | 0.25 | 6 |
| A16P14SS | Stainless Steel | 14.75 x 12.88 | 375 x 327 | 0.25 | 6 |
| A16P14AL | Aluminum | 14.75 x 12.88 | 375 x 327 | 0.25 | 6 |
| A18P16 | Painted steel | 16.75 x 14.88 | 425 x 378 | 0.25 | 6 |
| A18P16G | Conductive steel | 16.75 x 14.88 | 425 x 378 | 0.25 | 6 |
| A18P16SS | Stainless Steel | 16.75 x 14.88 | 425 x 378 | 0.25 | 6 |
| A18P16AL | Aluminum | 16.75 x 14.88 | 425 x 378 | 0.25 | 6 |

Panels for Enclosures

Composite Panels for Junction Boxes and UL/NEMA Wall-Mount Enclosures

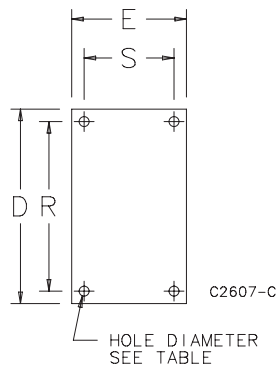
Manufactured from light-brown, reinforced phenolic laminate sheet stock. This material has exceptional strength and chemical resistance, which makes it ideally suited for the most corrosive environments. Composite panels are intended for use in corrosion-resistant enclosures. Panel sizes are available for junction boxes and UL/NEMA

size enclosures. Composite panels may be drilled and tapped but work equally as well with self-threading or thread-cutting screws. Refer to the table for recommended mounting specifications.

Bulletin: PNLC

Standard Product

| Catalog Number | Panel Size D x E in./mm | R in./mm | S in./mm | Hole Dia. in./mm | Panel Thickness in./mm |
|----------------|-------------------------------|-------------|-------------|---------------------|------------------------------|
| A6P4C | 4.88 x 2.88 | 4.25 | 2.25 | 0.25 | 0.12 |
| | 124 x 73 | 108 | 57 | 6 | 3 |
| A6P6C | 4.88 x 4.88 | 4.25 | 4.25 | 0.25 | 0.12 |
| | 124 x 124 | 108 | 108 | 6 | 3 |
| A8P6C | 6.75 x 4.88 | 6.25 | 4.25 | 0.25 | 0.12 |
| | 171 x 124 | 159 | 108 | 6 | 3 |
| A10P8C | 8.75 x 6.88 | 8.25 | 6.25 | 0.25 | 0.12 |
| | 222 x 175 | 210 | 159 | 6 | 3 |
| A12P10C | 10.75 x 8.88 | 10.25 | 8.25 | 0.25 | 0.19 |
| | 273 x 226 | 260 | 210 | 6 | 5 |
| A14P12C | 12.75 x 10.88 | 12.25 | 10.25 | 0.25 | 0.19 |
| | 324 x 276 | 311 | 260 | 6 | 5 |
| A16P14C | 14.75 x 12.88 | 14.25 | 12.25 | 0.25 | 0.19 |
| | 375 x 327 | 362 | 311 | 6 | 5 |
| A18P16C | 16.75 x 14.88 | 16.25 | 14.25 | 0.25 | 0.19 |
| | 425 x 379 | 413 | 362 | 6 | 5 |
| A20P16C | 17.00 x 13.00 | 15.25 | 11.25 | 0.50 | 0.19 |
| | 432 x 330 | 387 | 286 | 13 | 5 |
| A20P20C | 17.00 x 17.00 | 15.25 | 15.25 | 0.50 | 0.19 |
| | 432 x 432 | 387 | 387 | 13 | 5 |
| A24P20C | 21.00 x 17.00 | 19.25 | 15.25 | 0.50 | 0.19 |
| | 533 x 432 | 489 | 387 | 13 | 5 |
| A24P24C | 21.00 x 21.00 | 19.25 | 19.25 | 0.50 | 0.19 |
| | 533 x 533 | 489 | 489 | 13 | 5 |
| A30P24C | 27.00 x 21.00 | 25.25 | 19.25 | 0.50 | 0.19 |
| | 686 x 533 | 641 | 489 | 13 | 5 |



Composite Panel Mounting Recommendations

| Screw Type | Screw Size | Hole Size in./mm | Max. Insertion Torque (lb.) in 0.12 in. Material | Max. Insertion Torque (lb.) in 0.19 in. Material | Max. Load (lb. per screw) in 0.12 in. Material | Max. Load (lb. per screw) in 0.19 in. Material |
|-----------------------|------------|---------------------|---|---|---|---|
| Machine (tapped hole) | 8-32 | .136 | 15 | 25 | 40 | 45 |
| | | 3 | | | | |
| Machine (tapped hole) | 10-32 | .161 | 15 | 25 | 35 | 40 |
| | | 4 | | | | |
| Machine (tapped hole) | 1/4-20 | .204 | 20 | 25 | 30 | 35 |
| | | 5 | | | | |
| Thread Cutting Type T | 8-32 | .144 | 15 | 25 | 40 | 45 |
| | | 4 | | | | |
| Thread Cutting Type T | 10-32 | .166 | 15 | 25 | 35 | 40 |
| | | 4 | | | | |
| Thread Cutting Type T | 1/4-20 | .288 | 20 | 25 | 30 | 35 |
| | | 7 | | | | |
| Sheet Metal A-B | 8-32 | .147 | Not recommended | 10 | 40 | 45 |
| | | 4 | | | | |
| Sheet Metal A-B | 10-32 | .166 | Not recommended | 10 | 35 | 40 |
| | | 4 | | | | |
| Sheet Metal A-B | 1/4-20 | .221 | Not recommended | 15 | 30 | 35 |
| | | 6 | | | | |

Panels for Enclosures

Junction Box and Wall-Mount Enclosure Swing-Out Panel Kit

Kits allow mounting standard Hoffman junction box and NEMA style panels (purchase separately) near the front of the enclosure for easy access to or reading of gauges, switches, pilot lights and other components. Kits consist of heavy-gauge brackets and hinges which are easily installed by drilling small holes in the sides of the enclosure and bolting the brackets in place. External screws are stainless steel; internal components are plated steel. All mounting hardware and instructions are provided. Sealing washers ensure the enclosure will meet original JIC or NEMA standards after installation. Swing-Out Panel Kits do not fit single-door disconnect enclosures.

Bulletin: A80

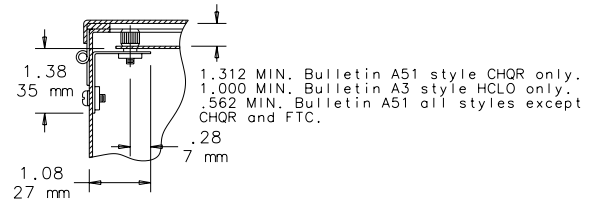
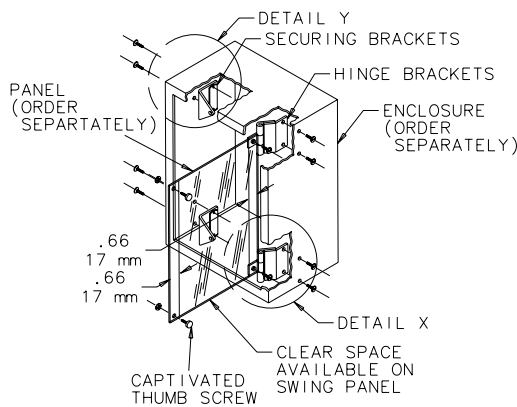


| Catalog Number | Description | Maximum Load (lb.) | Maximum Load (kg) | Use In |
|----------------|--------------------------|--------------------|-------------------|--|
| AJCDFK | Junction Box Kit | 25 | 11.3 | - Junction boxes where A x B is 8.00 x 6.00 in. (203 x 152 mm) or larger - HCL0 Type 3R enclosures where A x B is 16.00 x 12.00 in. (406 x 305 mm) or smaller |
| ANADFK | Wall-Mount Enclosure Kit | 100 | 45.4 | - One-door Type 4, 12 and 13 enclosures where A x B is 12.00 x 12.00 in. (305 x 305 mm) or larger - HCL0 Type 3R enclosures where A x B is 16.00 x 16.00 in. (406 x 406 mm) or larger - HCR Type 3R enclosures where A x B is 16.00 x 12.00 (406 x 305 mm) or larger - Type 1 enclosures where A x B is 42.00 x 30.00 in. (1067 x 762 mm) or larger |

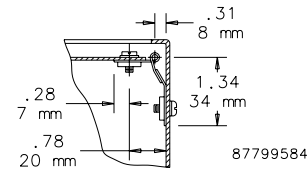
Both kits maintain UL Type 4 rating when properly installed in a Hoffman enclosure.

Maximum load includes the weight of the panel plus the weight of the components, with the weight of the components spread evenly over the panel.

Junction Box Swing-Out Panel Kit

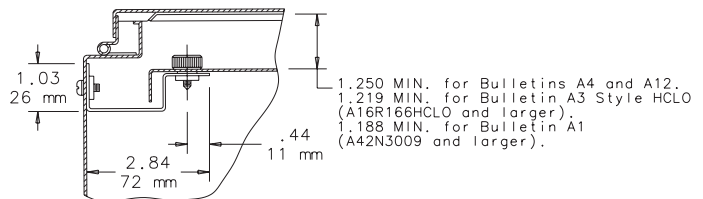
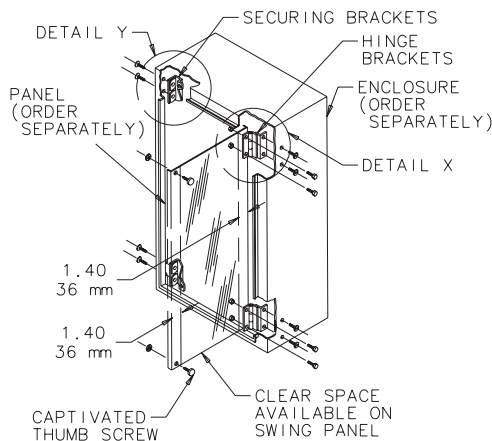


DETAIL Y

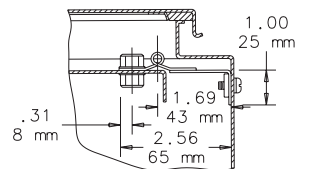


DETAIL X

Wall-Mount Enclosure Swing-Out Panel Kit



DETAIL Y



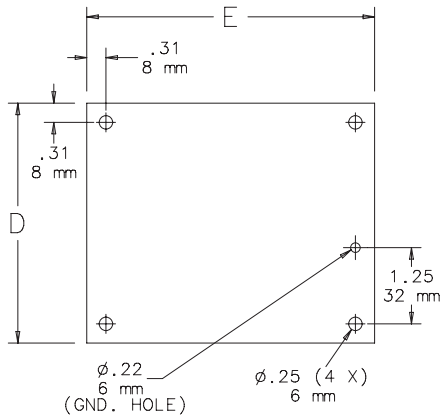
DETAIL X

Panels for Enclosures

Panels for Type 1 Enclosures and Small Type 3R Enclosures

Steel panels are 14 gauge, finished with white polyester powder paint. Panel mounting hardware is furnished with enclosure.

Bulletin: PNLT1



C2646-C

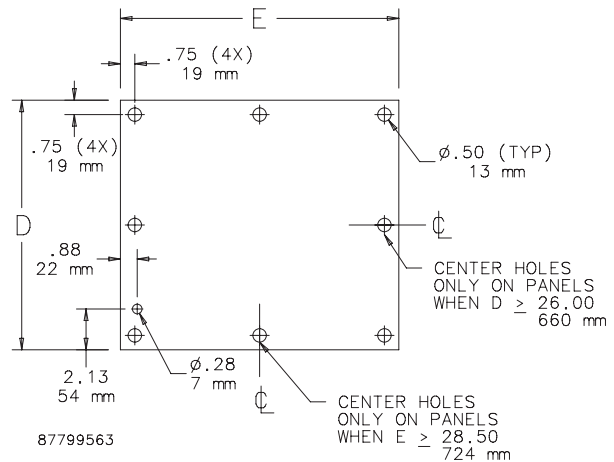
| Catalog Number | Panel Size D x E (in.) | Panel Size D x E (mm) |
|----------------|------------------------|-----------------------|
| A6N4P | 4.25 x 2.25 | 108 x 57 |
| A6N6P | 4.25 x 4.25 | 108 x 108 |
| A8N6P | 6.25 x 4.25 | 159 x 108 |
| A8N8P | 6.25 x 6.25 | 159 x 159 |
| A10N8P | 8.25 x 6.25 | 210 x 159 |
| A10N10P | 8.25 x 8.25 | 210 x 210 |
| A12N10P | 10.25 x 8.25 | 260 x 210 |
| A12N12P | 10.25 x 10.25 | 260 x 260 |
| A14N12P | 12.25 x 10.25 | 311 x 260 |
| A16N12P | 14.25 x 10.25 | 362 x 260 |
| A20N12P | 18.25 x 10.25 | 464 x 260 |

Panels for Medium Type 1 Enclosures

Steel panels are 14 or 12 gauge with a white polyester powder paint finish. Panel mounting hardware is furnished with enclosure.

Bulletin: PNLT1

| Catalog Number | Panel Thickness (ga.) | Panel Size D x E (in.) | Panel Size D x E (mm) |
|----------------|-----------------------|------------------------|-----------------------|
| A16N12MP | 14 | 13.00 x 10.50 | 330 x 267 |
| A20N12MP | 14 | 17.00 x 10.50 | 432 x 267 |
| A16N16MP | 14 | 13.00 x 14.50 | 330 x 368 |
| A20N16MP | 14 | 17.00 x 14.50 | 432 x 368 |
| A24N16MP | 14 | 21.00 x 14.50 | 533 x 368 |
| A18N18MP | 14 | 15.00 x 16.50 | 381 x 419 |
| A16N20MP | 14 | 13.00 x 18.50 | 330 x 470 |
| A20N20MP | 14 | 17.00 x 18.50 | 432 x 470 |
| A24N20MP | 14 | 21.00 x 18.50 | 533 x 470 |
| A30N20MP | 14 | 26.00 x 18.50 | 660 x 470 |
| A24N24MP | 12 | 21.00 x 22.50 | 533 x 571 |
| A30N24MP | 12 | 26.00 x 22.50 | 660 x 571 |
| A36N24MP | 12 | 32.00 x 22.50 | 813 x 571 |
| A30N30MP | 12 | 26.00 x 28.50 | 660 x 724 |
| A36N30MP | 12 | 32.00 x 28.50 | 813 x 724 |



Panels for Enclosures

Panels for Type 3R, 4, 4X, 12 and 13 Enclosures

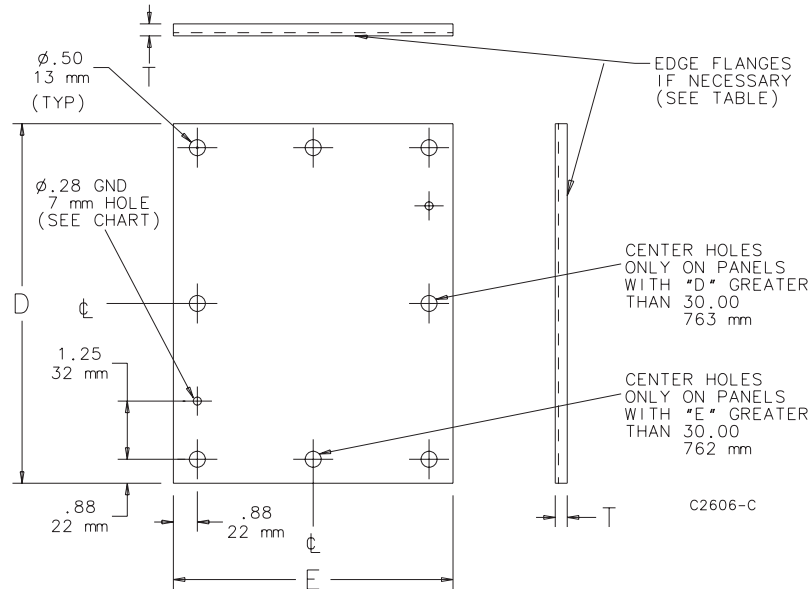
Steel panels are 12 gauge, finished with white polyester powder paint or a conductive, corrosion-resistant coating. Larger panels have flanges on two or four sides. Some larger steel panels are 10 gauge and include extra holes for panel lifting. Aluminum panels are 5052-H32 aluminum alloy. Larger panels have flanges on four sides. Aluminum panels are protected on one side with a plastic film. Stainless steel panels are Type 316 stainless steel. Panel mounting hardware is furnished with all enclosures which accept these panels.

Bulletin: PNLFS, PNLJ, PNLWM

| Catalog Number | Material | Panel Size D x E (in.) | Panel Size D x E (mm) | Panel Gauge or Thickness | Edge Flanges | T (in.) | T (mm) | Number of Holes |
|----------------|------------------|---------------------------|--------------------------|-----------------------------|-----------------|---------|--------|---------------------------|
| A12P24 | Painted steel | 9.00 x 21.00 | 229 x 533 | 12 ga. | 0 | — | — | 4 |
| A12P24G | Conductive steel | 9.00 x 21.00 | 229 x 533 | 12 ga. | 0 | — | — | 4 |
| A16P12 | Painted steel | 13.00 x 9.00 | 330 x 229 | 12 ga. | 0 | — | — | 4 |
| A16P12G | Conductive steel | 13.00 x 9.00 | 330 x 229 | 12 ga. | 0 | — | — | 4 |
| A16P12SS6 | Stainless Steel | 13.00 x 9.00 | 330 x 229 | 12 ga. | 0 | — | — | 4 |
| A16P12AL | Aluminum | 13.00 x 9.00 | 330 x 229 | 0.10 in./3 mm | 0 | — | — | 4 |
| A16P16 | Painted steel | 13.00 x 13.00 | 330 x 330 | 12 ga. | 0 | — | — | 4 |
| A16P16G | Conductive steel | 13.00 x 13.00 | 330 x 330 | 12 ga. | 0 | — | — | 4 |
| A16P16SS6 | Stainless Steel | 13.00 x 13.00 | 330 x 330 | 12 ga. | 0 | — | — | 4 |
| A16P16AL | Aluminum | 13.00 x 13.00 | 330 x 330 | 0.10 in./3 mm | 0 | — | — | 4 |
| A18P18 | Painted steel | 15.00 x 15.00 | 381 x 381 | 12 ga. | 0 | — | — | 4 |
| A18P18G | Conductive steel | 15.00 x 15.00 | 381 x 381 | 12 ga. | 0 | — | — | 4 |
| A20P12 | Painted steel | 17.00 x 9.00 | 432 x 229 | 12 ga. | 0 | — | — | 4 |
| A20P12G | Conductive steel | 17.00 x 9.00 | 432 x 229 | 12 ga. | 0 | — | — | 4 |
| A20P16 | Painted steel | 17.00 x 13.00 | 432 x 330 | 12 ga. | 0 | — | — | 4 |
| A20P16G | Conductive steel | 17.00 x 13.00 | 432 x 330 | 12 ga. | 0 | — | — | 4 |
| A20P16SS6 | Stainless Steel | 17.00 x 13.00 | 432 x 330 | 12 ga. | 0 | — | — | 4 |
| A20P16AL | Aluminum | 17.00 x 13.00 | 432 x 330 | 0.10 in./3 mm | 0 | — | — | 4 |
| A20P20 | Painted steel | 17.00 x 17.00 | 432 x 432 | 12 ga. | 0 | — | — | 4 |
| A20P20G | Conductive steel | 17.00 x 17.00 | 432 x 432 | 12 ga. | 0 | — | — | 4 |
| A20P20SS6 | Stainless steel | 17.00 x 17.00 | 432 x 432 | 12 ga. | 0 | — | — | 4 |
| A20P20AL | Aluminum | 17.00 x 17.00 | 432 x 432 | 0.10 in./3 mm | 0 | — | — | 4 |
| A24P16 | Painted steel | 21.00 x 13.00 | 533 x 330 | 12 ga. | 0 | — | — | 4 |
| A24P16G | Conductive steel | 21.00 x 13.00 | 533 x 330 | 12 ga. | 0 | — | — | 4 |
| A24P16SS6 | Stainless Steel | 21.00 x 13.00 | 533 x 330 | 12 ga. | 0 | — | — | 4 |
| A24P20 | Painted steel | 21.00 x 17.00 | 533 x 432 | 12 ga. | 2 | 0.75 | 19 | 4 |
| A24P20G | Conductive steel | 21.00 x 17.00 | 533 x 432 | 12 ga. | 2 | 0.75 | 19 | 4 |
| A24P20SS6 | Stainless Steel | 21.00 x 17.00 | 533 x 432 | 12 ga. | 2 | 0.75 | 19 | 4 |
| A24P20AL | Aluminum | 21.00 x 17.00 | 533 x 432 | 0.10 in./3 mm | 4 | 0.75 | 19 | 4 |
| A24P24 | Painted steel | 21.00 x 21.00 | 533 x 533 | 12 ga. | 2 | 0.75 | 19 | 4 |
| A24P24G | Conductive steel | 21.00 x 21.00 | 533 x 533 | 12 ga. | 2 | 0.75 | 19 | 4 |
| A24P24SS6 | Stainless Steel | 21.00 x 21.00 | 533 x 533 | 12 ga. | 2 | 0.75 | 19 | 4 |
| A24P24AL | Aluminum | 21.00 x 21.00 | 533 x 533 | 0.10 in./3 mm | 2 | 0.75 | 19 | 4 |
| A30P16 | Painted steel | 27.00 x 13.00 | 686 x 330 | 12 ga. | 2 | 0.75 | 19 | 4 |
| A30P16G | Conductive steel | 33.00 x 27.00 | 838 x 686 | 12 ga. | 2 | 0.75 | 19 | 4 |
| A30P20 | Painted steel | 27.00 x 17.00 | 686 x 432 | 12 ga. | 2 | 0.75 | 19 | 4 |
| A30P20G | Conductive steel | 27.00 x 17.00 | 686 x 432 | 12 ga. | 2 | 0.75 | 19 | 4 |
| A30P20SS6 | Stainless Steel | 27.00 x 17.00 | 686 x 432 | 12 ga. | 2 | 0.75 | 19 | 4 |
| A30P24 | Painted steel | 27.00 x 21.00 | 686 x 533 | 12 ga. | 2 | 0.75 | 19 | 4 |
| A30P24G | Conductive steel | 27.00 x 21.00 | 686 x 533 | 12 ga. | 2 | 0.75 | 19 | 4 |
| A30P24SS6 | Stainless Steel | 27.00 x 21.00 | 686 x 533 | 12 ga. | 2 | 0.75 | 19 | 4 |
| A30P24AL | Aluminum | 27.00 x 21.00 | 686 x 533 | 0.10 in./3 mm | 2 | 0.75 | 19 | 4 |
| A30P30 | Painted steel | 27.00 x 27.00 | 686 x 686 | 12 ga. | 4 | 0.75 | 19 | 4 |
| A30P30G | Conductive steel | 27.00 x 27.00 | 686 x 686 | 12 ga. | 4 | 0.75 | 19 | 4 |
| A30P30SS6 | Stainless Steel | 27.00 x 27.00 | 686 x 686 | 12 ga. | 4 | 0.75 | 19 | 4 |
| A36P16 | Painted steel | 33.00 X 13.00 | 838 X 330 | 12 ga. | 2 | 0.75 | 19 | 4 |
| A36P16G | Conductive steel | 33.00 x 13.00 | 838 x 330 | 12 ga. | 2 | 0.75 | 19 | 4 |
| A36P24 | Painted steel | 33.00 x 21.00 | 838 x 533 | 12 ga. | 2 | 0.75 | 19 | 6 |
| A36P24G | Conductive steel | 33.00 x 21.00 | 838 x 533 | 12 ga. | 2 | 0.75 | 19 | 6 |
| A36P24SS6 | Stainless Steel | 33.00 x 21.00 | 838 x 533 | 12 ga. | 2 | 0.75 | 19 | 6 |
| A36P24AL | Aluminum | 33.00 x 21.00 | 838 x 533 | 0.10 in./3 mm | 2 | 0.75 | 19 | 6 |
| A36P30 | Painted steel | 33.00 x 27.00 | 838 x 686 | 12 ga. | 4 | 0.75 | 19 | 6 |
| A36P30G | Conductive steel | 33.00 x 27.00 | 838 x 686 | 12 ga. | 4 | 0.75 | 19 | 6 |
| A36P30SS6 | Stainless Steel | 33.00 x 27.00 | 838 x 686 | 12 ga. | 4 | 0.75 | 19 | 6 |
| A36P30AL | Aluminum | 33.00 x 27.00 | 838 x 686 | 0.10 in./3 mm | 4 | 0.75 | 19 | 6 |
| A36P36 | Painted steel | 33.00 x 33.00 | 838 x 838 | 12 ga. | 4 | 0.75 | 19 | 8 |
| A36P36G | Conductive steel | 33.00 x 33.00 | 838 x 838 | 12 ga. | 4 | 0.75 | 19 | 8 |
| A36P36SS6 | Stainless Steel | 33.00 x 33.00 | 838 x 838 | 12 ga. | 4 | 0.75 | 19 | 8 |
| A40P24 | Painted steel | 37.00 x 21.00 | 940 x 533 | 12 ga. | 4 | 0.75 | 19 | 6 |
| A40P24G | Conductive steel | 37.00 x 21.00 | 940 x 533 | 12 ga. | 4 | 0.75 | 19 | 6 |
| A40P30 | Painted steel | 37.00 x 29.00 | 940 x 737 | 12 ga. | 4 | 0.75 | 19 | 4 (no D dim. center hole) |
| A40P30G | Conductive steel | 37.00 x 29.00 | 940 x 737 | 12 ga. | 4 | 0.75 | 19 | 4 (no D dim. center hole) |
| A42P24 | Painted steel | 39.00 x 21.00 | 991 x 533 | 12 ga. | 2 | 0.75 | 19 | 6 |
| A42P24G | Conductive steel | 39.00 x 21.00 | 991 x 533 | 12 ga. | 2 | 0.75 | 19 | 6 |
| A42P30 | Painted steel | 39.00 x 27.00 | 991 x 686 | 12 ga. | 4 | 0.75 | 19 | 6 |
| A42P30G | Conductive steel | 39.00 x 27.00 | 991 x 686 | 12 ga. | 4 | 0.75 | 19 | 6 |
| A42P30SS6 | Stainless Steel | 39.00 x 27.00 | 991 x 686 | 12 ga. | 4 | 0.75 | 19 | 6 |
| A42P36 | Painted steel | 39.00 x 33.00 | 991 x 838 | 12 ga. | 4 | 0.75 | 19 | 8 |
| A42P36G | Conductive steel | 39.00 x 33.00 | 991 x 838 | 12 ga. | 4 | 0.75 | 19 | 8 |
| A42P36SS6 | Stainless Steel | 39.00 x 33.00 | 991 x 838 | 12 ga. | 4 | 0.75 | 19 | 8 |
| A42P42 | Painted steel | 39.00 x 39.00 | 991 x 991 | 12 ga. | 4 | 0.75 | 19 | 8 |

Panels for Enclosures

| Catalog Number | Material | Panel Size D x E (in.) | Panel Size D x E (mm) | Panel Gauge or Thickness | Edge Flanges | T (in.) | T (mm) | Number of Holes |
|----------------|------------------|---------------------------|--------------------------|-----------------------------|-----------------|---------|--------|--------------------|
| A42P42G | Conductive steel | 39.00 x 39.00 | 991 x 991 | 12 ga. | 4 | 0.75 | 19 | 8 |
| A48P24 | Painted steel | 45.00 x 21.00 | 1143 x 533 | 12 ga. | 2 | 0.75 | 19 | 6 |
| A48P24G | Conductive steel | 45.00 x 21.00 | 1143 x 533 | 12 ga. | 2 | 0.75 | 19 | 6 |
| A48P30 | Painted steel | 45.00 x 27.00 | 1143 x 686 | 12 ga. | 4 | 0.75 | 19 | 6 |
| A48P30G | Conductive steel | 45.00 x 27.00 | 1143 x 686 | 12 ga. | 4 | 0.75 | 19 | 6 |
| A48P36 | Painted steel | 45.00 x 33.00 | 1143 x 838 | 12 ga. | 4 | 0.75 | 19 | 8 |
| A48P36G | Conductive steel | 45.00 x 33.00 | 1143 x 838 | 12 ga. | 4 | 0.75 | 19 | 8 |
| A48P36S56 | Stainless Steel | 45.00 x 33.00 | 1143 x 838 | 12 ga. | 4 | 0.75 | 19 | 8 |
| A48P36AL | Aluminum | 45.00 x 33.00 | 1143 x 838 | 0.10 in./3 mm | 4 | 0.75 | 19 | 8 |
| A48P42 | Painted steel | 45.00 x 39.00 | 1143 x 991 | 12 ga. | 4 | 0.75 | 19 | 8 |
| A48P42G | Conductive steel | 45.00 x 39.00 | 1143 x 991 | 12 ga. | 4 | 0.75 | 19 | 8 |
| A48P48 | Painted steel | 44.00 x 44.00 | 1118 x 1118 | 10 ga. | 4 | 0.88 | 22 | 8 |
| A48P48G | Conductive steel | 44.00 x 44.00 | 1118 x 1118 | 10 ga. | 4 | 0.88 | 22 | 8 |
| A54P42 | Painted steel | 50.00 x 38.00 | 1270 x 965 | 12 ga. | 4 | 0.75 | 19 | 8 |
| A54P42G | Conductive steel | 50.00 x 38.00 | 1270 x 965 | 10 ga. | 4 | 0.75 | 19 | 8 |
| A60P24 | Painted steel | 57.00 x 21.00 | 1448 x 533 | 12 ga. | 4 | 0.75 | 19 | 6 |
| A60P24G | Conductive steel | 57.00 x 21.00 | 1448 x 533 | 12 ga. | 4 | 0.75 | 19 | 6 |
| A60P30 | Painted steel | 57.00 x 27.00 | 1448 x 686 | 12 ga. | 4 | 0.75 | 19 | 6 |
| A60P30G | Conductive steel | 57.00 x 27.00 | 1448 x 686 | 12 ga. | 4 | 0.75 | 19 | 6 |
| A60P36 | Painted steel | 57.00 x 33.00 | 1448 x 838 | 12 ga. | 4 | 0.75 | 19 | 8 |
| A60P36G | Conductive steel | 57.00 x 33.00 | 1448 x 838 | 12 ga. | 4 | 0.75 | 19 | 8 |
| A60P36S56 | Stainless Steel | 57.00 x 33.00 | 1448 x 838 | 12 ga. | 4 | 0.75 | 19 | 8 |
| A60P36AL | Aluminum | 57.00 x 33.00 | 1448 x 838 | 0.10 in./3 mm | 4 | 0.75 | 19 | 8 |
| A60BFP42 | Painted steel | 56.00 x 38.00 | 1422 x 965 | 10 ga. | 4 | 0.88 | 22 | 10 |
| A60BFP42G | Conductive steel | 56.00 x 38.00 | 1422 x 965 | 10 ga. | 4 | 0.88 | 22 | 10 |
| A60P48 | Painted steel | 56.00 x 44.00 | 1422 x 1118 | 10 ga. | 4 | 0.88 | 22 | 12 |
| A60P48G | Conductive steel | 56.00 x 44.00 | 1422 x 1118 | 10 ga. | 4 | 0.88 | 22 | 12 |
| A60P60 | Painted steel | 56.00 x 56.00 | 1422 x 1422 | 10 ga. | 4 | 0.88 | 22 | 10 |
| A60P60G | Conductive steel | 56.00 x 56.00 | 1422 x 1422 | 10 ga. | 4 | 0.88 | 22 | 10 |
| A72P36 | Painted steel | 69.00 x 33.00 | 1753 x 838 | 12 ga. | 4 | 0.75 | 19 | 8 |
| A72P36G | Conductive steel | 69.00 x 33.00 | 1753 x 838 | 12 ga. | 4 | 0.75 | 19 | 8 |
| A72P60 | Painted steel | 68.00 x 56.00 | 1727 x 1422 | 10 ga. | 4 | 0.88 | 22 | 12 |
| A72P60G | Conductive steel | 68.00 x 56.00 | 1727 x 1422 | 10 ga. | 4 | 0.88 | 22 | 12 |
| A72P72 | Painted steel | 68.00 x 68.00 | 1727 x 1727 | 10 ga. | 4 | 0.88 | 22 | 10 |
| A72P72G | Conductive steel | 68.00 x 68.00 | 1727 x 1727 | 10 ga. | 4 | 0.88 | 22 | 10 |



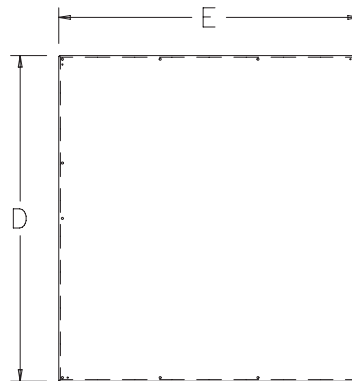
Panels for Enclosures

Panels for Large Bulletin A27, A28, A28S4 and A34 Multi-Door Enclosures

Extra panels for large enclosures (Bulletins A27, A28, A28S4 and A34) can be ordered for panel assembly prior to receiving the enclosures (enclosures include panels). Panels are 10 gauge steel with .80-in. (20-mm) flanges on four sides. Finish is white polyester powder paint or a conductive, corrosion-resistant coating. Two extra holes are provided for lifting and installing panels. Mounting hardware included with enclosure.

Bulletin: PNLFS

| Catalog Number | Finish | Panel Size D x E (in.) | Panel Size D x E (mm) | Number of Holes | Fits Enclosure Height |
|----------------|---------------|---------------------------|--------------------------|--------------------|-----------------------------|
| A72PM28 | Painted steel | 60.00 x 21.75 | 1524 x 552 | 8 | 72 in. |
| A72PM28G | Conductive | 60.00 x 21.75 | 1524 x 552 | 8 | 72 in. |
| A72PM34 | Painted steel | 60.00 x 27.75 | 1524 x 705 | 8 | 72 in. |
| A72PM34G | Conductive | 60.00 x 27.75 | 1524 x 705 | 8 | 72 in. |
| A72PM40 | Painted steel | 60.00 x 33.75 | 1524 x 857 | 8 | 72 in. |
| A72PM40G | Conductive | 60.00 x 33.75 | 1829 x 857 | 8 | 72 in. |
| A72PM54 | Painted steel | 60.00 x 48.00 | 1524 x 1219 | 10 | 72 in. |
| A72PM54G | Conductive | 60.00 x 48.00 | 1524 x 1219 | 10 | 72 in. |
| A72PM66 | Painted steel | 60.00 x 60.00 | 1524 x 1524 | 10 | 72 in. |
| A72PM66G | Conductive | 60.00 x 60.00 | 1524 x 1524 | 10 | 72 in. |
| A72PM78 | Painted steel | 60.00 x 72.00 | 1524 x 1829 | 12 | 72 in. |
| A72PM78G | Conductive | 60.00 x 72.00 | 1524 x 1829 | 12 | 72 in. |
| A84PM40 | Painted steel | 72.00 x 33.75 | 1829 x 857 | 8 | 84 in. |
| A84PM40G | Conductive | 72.00 x 33.75 | 1829 x 857 | 8 | 84 in. |
| A84PM78 | Painted steel | 72.00 x 72.00 | 1829 x 1829 | 12 | 84 in. |
| A84PM78G | Conductive | 72.00 x 72.00 | 1829 x 1829 | 12 | 84 in. |
| A86PM37 | Painted steel | 78.00 x 34.00 | 1981 x 864 | 8 | 86 in. |
| A86PM37G | Conductive | 78.00 x 34.00 | 1981 x 864 | 8 | 86 in. |
| A86PM75 | Painted steel | 78.00 x 70.00 | 1981 x 1778 | 12 | 86 in. |
| A86PM75G | Conductive | 78.00 x 70.00 | 1981 x 1778 | 12 | 86 in. |
| A90PM40 | Painted steel | 78.00 x 33.75 | 1981 x 857 | 8 | 90 in. |
| A90PM40G | Conductive | 78.00 x 33.75 | 1981 x 857 | 8 | 90 in. |
| A90PM78 | Painted steel | 78.00 x 72.00 | 1981 x 1829 | 12 | 90 in. |
| A90PM78G | Conductive | 78.00 x 72.00 | 1981 x 1829 | 12 | 90 in. |



11C59182

Panels for Enclosures

Panels for Free-Stand Type 1 Large One-Door Enclosures

Panels for free-stand Type 1 large one-door standard and disconnect enclosures are 12 gauge steel. Panels have either polyester powder paint finish or a conductive, corrosion-resistant coating.

Bulletin: A26P, A38P

| Catalog Number | Finish | Panel Size | |
|----------------|---------------|---------------|------------|
| | | D x E (in.) | D x E (mm) |
| A37P21N | Painted steel | 37.16 x 21.50 | 944 x 546 |
| A37P21NG | Conductive | 37.16 x 21.50 | 944 x 546 |
| A49P21N | Painted steel | 49.16 x 21.50 | 1249 x 546 |
| A49P21NG | Conductive | 49.16 x 21.50 | 1249 x 546 |
| A61P21N | Painted steel | 61.16 x 21.50 | 1553 x 546 |
| A73P21N | Painted steel | 73.16 x 21.50 | 1858 x 546 |
| A73P21NG | Conductive | 73.16 x 21.50 | 1858 x 546 |
| A49P32N | Painted steel | 49.16 x 32.00 | 1249 x 813 |
| A49P32NG | Conductive | 49.16 x 32.00 | 1249 x 813 |
| A61P32N | Painted steel | 61.16 x 32.00 | 1553 x 813 |
| A61P32NG | Conductive | 61.16 x 32.00 | 1553 x 813 |
| A73P32N | Painted steel | 73.16 x 32.00 | 1858 x 813 |
| A73P32NG | Conductive | 73.16 x 32.00 | 1858 x 813 |

Panels for Free-Stand Type 1 Large Two-Door Enclosures

Panels for free-stand Type 1 large two-door standard and disconnect enclosures are 10 gauge steel. Panels have either polyester powder paint finish or a conductive, corrosion-resistant coating.

Bulletin: A38P

| Catalog Number | Finish | Panel Size | |
|----------------|---------------|---------------|-------------|
| | | D x E (in.) | D x E (mm) |
| A37P48N | Painted steel | 37.16 x 48.00 | 944 x 1219 |
| A37P48NG | Conductive | 37.16 x 48.00 | 944 x 1219 |
| A49P48N | Painted steel | 49.16 x 48.00 | 1249 x 1219 |
| A49P48NG | Conductive | 49.16 x 48.00 | 1249 x 1219 |
| A49P68N | Painted steel | 49.16 x 68.00 | 1249 x 1727 |
| A49P68NG | Conductive | 49.16 x 68.00 | 1249 x 1727 |
| A61P68N | Painted steel | 61.16 x 68.00 | 1553 x 1727 |
| A61P68NG | Conductive | 61.16 x 68.00 | 1553 x 1727 |
| A73P68N | Painted steel | 73.16 x 68.00 | 1858 x 1727 |
| A73P68NG | Conductive | 73.16 x 68.00 | 1858 x 1727 |

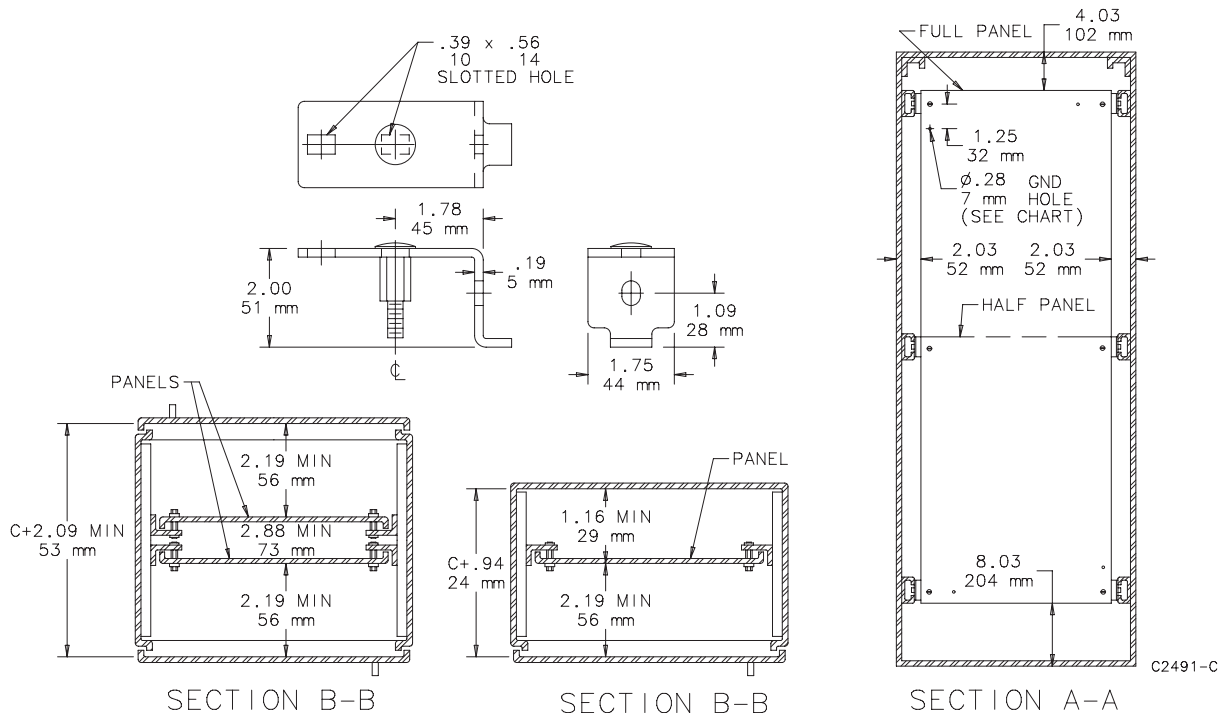
Panels for Enclosures
Panels for Free-Stand Type 4, 4X and 12 Single- and Dual-Access One-Door Enclosures with Mounting Channel

Panels for one-door, single-access and one-door, dual-access Free-Stand Type 12 Enclosures, Free-Stand Type 4 Enclosures and One-Door Type 4X Free-Stand Fiberglass Enclosures. Panels are 12 gauge steel and can be positioned anywhere along horizontal mounting channels (see dimension drawing Sections B-B for limitations). Half-length panels can be located in the upper or lower portion of the enclosure. Panels are finished with white polyester powder paint or a conductive, corrosion-resistant coating and furnished with plated mounting hardware.

Bulletin: PNL30, PNLFS

| Catalog Number | Description | Finish | Panel Size (in.) | Panel Size (mm) | Fits Enclosure A x B (in.) | Fits Enclosure A x B (mm) |
|----------------|-------------|---------------|------------------|-----------------|----------------------------|---------------------------|
| A60P24F1 | Full Panel | Painted steel | 48.00 x 20.00 | 1218 x 508 | 60.00 x 24.00 | 1524 x 610 |
| A60P24F1G | Full Panel | Conductive | 48.00 x 20.00 | 1218 x 508 | 60.00 x 24.00 | 1524 x 610 |
| A60P24F2 | Half Panel | Painted steel | 24.88 x 20.00 | 632 x 508 | 60.00 x 24.00 | 1524 x 610 |
| A60P24F2G | Half Panel | Conductive | 24.88 x 20.00 | 632 x 508 | 60.00 x 24.00 | 1524 x 610 |
| A72P24F1 | Full Panel | Painted steel | 60.00 x 20.00 | 1524 x 508 | 72.00 x 24.00 | 1829 x 610 |
| A72P24F1G | Full Panel | Conductive | 60.00 x 20.00 | 1524 x 508 | 72.00 x 24.00 | 1829 x 610 |
| A72P24F2 | Half Panel | Painted steel | 30.88 x 20.00 | 784 x 508 | 72.00 x 24.00 | 1829 x 610 |
| A72P24F2G | Half Panel | Conductive | 30.88 x 20.00 | 784 x 508 | 72.00 x 24.00 | 1829 x 610 |
| A90P24F1 | Full Panel | Painted steel | 78.00 x 20.00 | 1981 x 508 | 90.00 x 24.00 | 2286 x 610 |
| A90P24F1G | Full Panel | Conductive | 78.00 x 20.00 | 1981 x 508 | 90.00 x 24.00 | 2286 x 610 |
| A90P24F2 | Half Panel | Painted steel | 39.88 x 20.00 | 1013 x 508 | 90.00 x 24.00 | 2286 x 610 |
| A90P24F2G | Half Panel | Conductive | 39.88 x 20.00 | 1013 x 508 | 90.00 x 24.00 | 2286 x 610 |
| A72P30F1 | Full Panel | Painted steel | 60.00 x 26.00 | 1524 x 660 | 72.00 x 30.00 | 1829 x 762 |
| A72P30F1G | Full Panel | Conductive | 60.00 x 26.00 | 1524 x 660 | 72.00 x 30.00 | 1829 x 762 |
| A72P30F2 | Half Panel | Painted steel | 30.88 x 26.00 | 784 x 660 | 72.00 x 30.00 | 1829 x 762 |
| A72P30F2G | Half Panel | Conductive | 30.88 x 26.00 | 784 x 660 | 72.00 x 30.00 | 1829 x 762 |
| A60P36F1 | Full Panel | Painted steel | 48.00 x 32.00 | 1219 x 813 | 60.00 x 36.00 | 1524 x 914 |
| A60P36F1G | Full Panel | Conductive | 48.00 x 32.00 | 1219 x 813 | 60.00 x 36.00 | 1524 x 914 |
| A60P36F2 | Half Panel | Painted steel | 24.88 x 32.00 | 632 x 813 | 60.00 x 36.00 | 1524 x 914 |
| A60P36F2G | Half Panel | Conductive | 24.88 x 32.00 | 632 x 813 | 60.00 x 36.00 | 1524 x 914 |
| A72P36F1 | Full Panel | Painted steel | 60.00 x 32.00 | 1524 x 813 | 72.00 x 36.00 | 1829 x 914 |
| A72P36F1G | Full Panel | Conductive | 60.00 x 32.00 | 1524 x 813 | 72.00 x 36.00 | 1829 x 914 |
| A72P36F2 | Half Panel | Painted steel | 30.88 x 32.00 | 784 x 813 | 72.00 x 36.00 | 1829 x 914 |
| A72P36F2G | Half Panel | Conductive | 30.88 x 32.00 | 784 x 813 | 72.00 x 36.00 | 1829 x 914 |
| A90P36F1 | Full Panel | Painted steel | 78.00 x 32.00 | 1981 x 813 | 90.00 x 36.00 | 2286 x 914 |
| A90P36F1G | Full Panel | Conductive | 78.00 x 32.00 | 1981 x 813 | 90.00 x 36.00 | 2286 x 914 |
| A90P36F2 | Half Panel | Painted steel | 39.88 x 32.00 | 1013 x 813 | 90.00 x 36.00 | 2286 x 914 |
| A90P36F2G | Half Panel | Conductive | 39.88 x 32.00 | 1013 x 813 | 90.00 x 36.00 | 2286 x 914 |

Use combinations of panels for 3-5 door A 28 enclosures.



Panels for Enclosures

Panels for Free-Stand Type 4, 4X and 12 Single- and Dual-Access Two-Door Enclosures with Mounting Channel

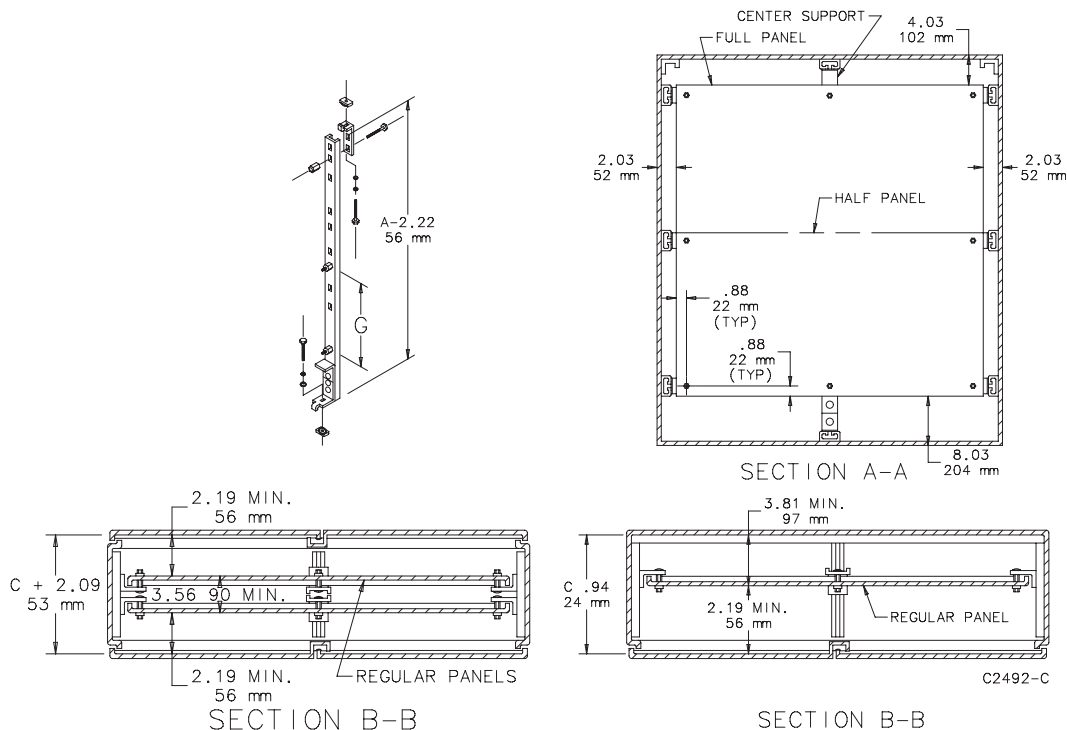
Panels for two-door single access and two-door dual access Free-Stand Type 4, 4X and 12 Enclosures with mounting channel are 10 gauge steel and can be positioned anywhere along horizontal mounting channels (see Sections B-B for limitations). Half-length panels can be located in the upper or lower portion of the enclosure. Some assembly is required.

Panels are finished with white polyester powder paint or a conductive, corrosion-resistant coating and furnished with plated mounting hardware.

Center support is furnished with each full panel or half panel for two-door enclosures. The center support attaches to the top and bottom mounting channels and can be positioned from front to back in the enclosure. The center support can be used with heavy duty panel supports to support panels of various heights.

Bulletin: PNL30, PNLFS

| Catalog Number | Description | Fits Enclosure | | Fits Enclosure | | G (in.) | | G (mm) | |
|----------------|-------------|----------------|-------------|------------------|-----------------|---------|--|--------|--|
| | | A x B (in.) | A x B (mm) | Panel Size (in.) | Panel Size (mm) | | | | |
| A60P48F1 | Full Panel | 60.00 x 48.00 | 1524 x 1219 | 48.00 x 44.00 | 1219 x 1118 | 23.12 | | 587 | |
| A60P48F1G | Full Panel | 60.00 x 48.00 | 1524 x 1219 | 48.00 x 44.00 | 1219 x 1118 | 23.12 | | 587 | |
| A72P48F1 | Full Panel | 72.00 x 48.00 | 1829 x 1219 | 60.00 x 44.00 | 1524 x 1118 | 29.12 | | 740 | |
| A72P48F1G | Full Panel | 72.00 x 48.00 | 1829 x 1219 | 60.00 x 44.00 | 1524 x 1118 | 29.12 | | 740 | |
| A72P48F2 | Half Panel | 72.00 x 48.00 | 1829 x 1219 | 30.88 x 44.00 | 784 x 1118 | 29.12 | | 740 | |
| A72P48F2G | Half Panel | 72.00 x 48.00 | 1829 x 1219 | 30.88 x 44.00 | 784 x 1118 | 29.12 | | 740 | |
| A90P48F1 | Full Panel | 90.00 x 48.00 | 2286 x 1219 | 78.00 x 44.00 | 1981 x 1118 | 38.12 | | 968 | |
| A90P48F1G | Full Panel | 90.00 x 48.00 | 2286 x 1219 | 78.00 x 44.00 | 1981 x 1118 | 38.12 | | 968 | |
| A90P48F2 | Half Panel | 90.00 x 48.00 | 2286 x 1219 | 39.88 x 44.00 | 1013 x 1118 | 38.12 | | 968 | |
| A90P48F2G | Half Panel | 90.00 x 48.00 | 2286 x 1219 | 39.88 x 44.00 | 1013 x 1118 | 38.12 | | 968 | |
| A72P60F1 | Full Panel | 72.00 x 60.00 | 1829 x 1524 | 60.00 x 56.00 | 1524 x 1422 | 29.12 | | 740 | |
| A72P60F1G | Full Panel | 72.00 x 60.00 | 1829 x 1524 | 60.00 x 56.00 | 1524 x 1422 | 29.12 | | 740 | |
| A72P60F2 | Half Panel | 72.00 x 60.00 | 1829 x 1524 | 30.88 x 56.00 | 784 x 1422 | 29.12 | | 740 | |
| A72P60F2G | Half Panel | 72.00 x 60.00 | 1829 x 1524 | 30.88 x 56.00 | 784 x 1422 | 29.12 | | 740 | |
| A72P72F1 | Full Panel | 72.00 x 72.00 | 1829 x 1829 | 60.00 x 68.00 | 1524 x 1727 | 29.12 | | 740 | |
| A72P72F1G | Full Panel | 72.00 x 72.00 | 1829 x 1829 | 60.00 x 68.00 | 1524 x 1727 | 29.12 | | 740 | |
| A72P72F2 | Half Panel | 72.00 x 72.00 | 1829 x 1829 | 30.88 x 68.00 | 784 x 1727 | 29.12 | | 740 | |
| A72P72F2G | Half Panel | 72.00 x 72.00 | 1829 x 1829 | 30.88 x 68.00 | 784 x 1727 | 29.12 | | 740 | |
| A90P72F1 | Full Panel | 90.00 x 72.00 | 2286 x 1829 | 78.00 x 68.00 | 1981 x 1727 | 38.12 | | 968 | |
| A90P72F1G | Full Panel | 90.00 x 72.00 | 2286 x 1829 | 78.00 x 68.00 | 1981 x 1727 | 38.12 | | 968 | |
| A90P72F2 | Half Panel | 90.00 x 72.00 | 2286 x 1829 | 39.88 x 68.00 | 1013 x 1727 | 38.12 | | 968 | |
| A90P72F2G | Half Panel | 90.00 x 72.00 | 2286 x 1829 | 39.88 x 68.00 | 1013 x 1727 | 38.12 | | 968 | |



Panels for Enclosures

Side-Mounted Panels

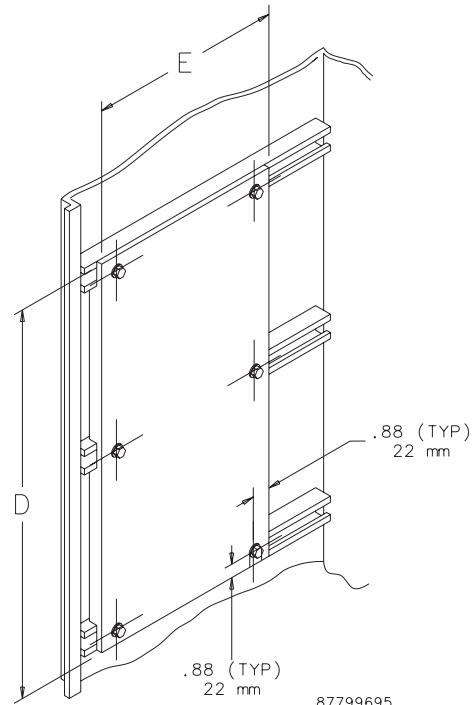
Panels provide extra mounting space on the sides of enclosures. 12 gauge steel side-mounting panels are painted white. Conductive panels are steel with a conductive, corrosion-resistant coating. Panels attach securely to mounting channels. Plated steel mounting hardware is furnished.

Bulletin: PNL30, PNLFS

| Catalog Number | Description | Panel Size D x E | | Fits Enclosure A in./mm |
|----------------|---------------|---------------------|--------|-------------------------------|
| | | in./mm | in./mm | |
| A60SMP14 | Painted steel | 48.00 x 14.00 | 60.00 | 60.00 1524 |
| | | 1219 x 356 | 1524 | |
| A60SMP14G | Conductive | 48.00 x 14.00 | 60.00 | 60.00 1524 |
| | | 1219 x 356 | 1524 | |
| A72SMP14 | Painted steel | 60.00 x 14.00 | 72.00 | 72.00 1829 |
| | | 1524 x 356 | 1829 | |
| A72SMP14G | Conductive | 60.00 x 14.00 | 72.00 | 72.00 1829 |
| | | 1524 x 356 | 1829 | |
| A72SMP20 | Painted steel | 60.00 x 20.00 | 72.00 | 72.00 1829 |
| | | 1524 x 508 | 1829 | |
| A72SMP20G | Conductive | 60.00 x 20.00 | 72.00 | 72.00 1829 |
| | | 1524 x 508 | 1829 | |
| A90SMP14 | Painted steel | 78.00 x 14.00 | 90.00 | 90.00 2286 |
| | | 1981 x 356 | 2286 | |
| A90SMP14G | Conductive | 78.00 x 14.00 | 90.00 | 90.00 2286 |
| | | 1981 x 356 | 2286 | |
| A90SMP20 | Painted steel | 78.00 x 20.00 | 90.00 | 90.00 2286 |
| | | 1981 x 508 | 2286 | |
| A90SMP20G | Conductive | 78.00 x 20.00 | 90.00 | 90.00 2286 |
| | | 1981 x 508 | 2286 | |

A90SMP14 and A90SMP14G will not fit 18.06-in. deep two-door enclosures (FSD style) if regular panel is also installed.

A90SMP20 and A90SMP20G will not fit 20.12-in. deep enclosures. Will not fit 24.12-in. deep two-door enclosures (FSD style) if regular panel is also installed.

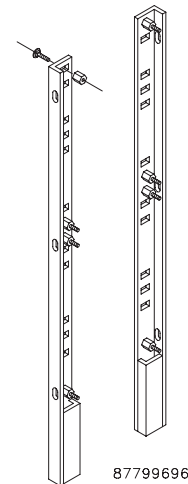


Heavy Duty Panel Supports

Heavy Duty Panel Supports, sold in pairs, are used in place of the panel supports furnished with panels when heavy equipment will be installed on the panels. They extend to the bottom of the enclosure. Adjustable mounting studs allow mounting of different height panels or a combination of panels. Use mounting hardware furnished with panels.

Bulletin: A80

| Catalog Number | Fits Enclosure A | | Support Length in./mm |
|----------------|------------------|--------|--------------------------|
| | in./mm | in./mm | |
| A60FSHDPS | 60.00 | 57.25 | 57.25 1454 |
| | 1524 | 1454 | |
| A72FSHDPS | 72.00 | 69.25 | 69.25 1759 |
| | 1829 | 1759 | |
| A90FSHDPS | 90.00 | 87.25 | 87.25 2216 |
| | 2286 | 2216 | |



Panels for Enclosures

Center Panel Supports

Center panel supports are used with Free-Stand Type 12 (Bulletin A30) two-door enclosures. They permit the installation of panels, swing-out panels and rack-mounting angles sized for one-door enclosures. The Center Panel Support can be positioned from front to back of the enclosure.

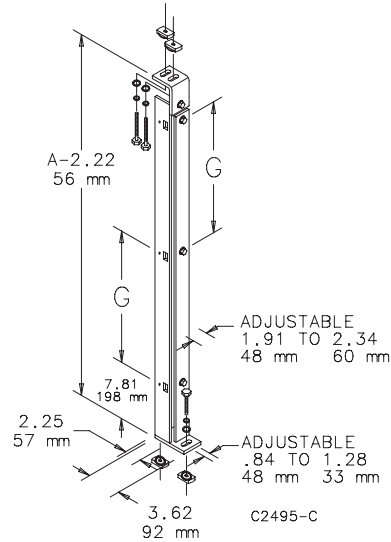
Bulletin: A80

Standard Product Panel Supports

| Catalog Number | Fits Enclosure A (in.) | Fits Enclosure A (mm) | G (in.) | G (mm) |
|----------------|------------------------|-----------------------|---------|--------|
| A60FSCPS | 60.00 | 1524 | 23.12 | 587 |
| A72FSCPS | 72.00 | 1829 | 29.12 | 740 |
| A90FSCPS | 90.00 | 2286 | 38.12 | 968 |

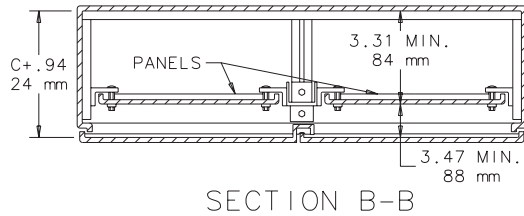
Accessory Width with Center Panel Supports

| Two Door Enclosure Width (in.) | Two Door Enclosure Width (mm) | Accessory Width (in.) | Accessory Width (mm) |
|--------------------------------|-------------------------------|-----------------------|----------------------|
| 48.00 | 1219 | 24.00 | 610 |
| 60.00 | 1524 | 30.00 | 762 |
| 72.00 | 1829 | 36.00 | 914 |

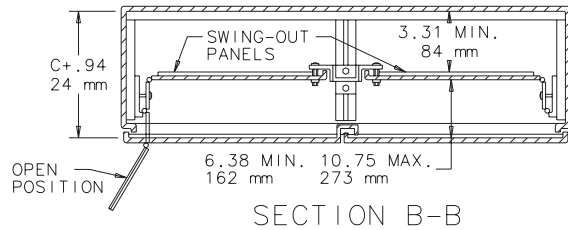


Panels for Enclosures

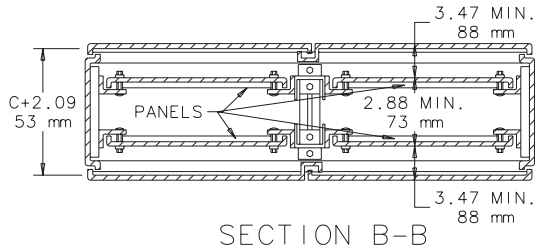
Center Panel Supports Enclosure Section Views



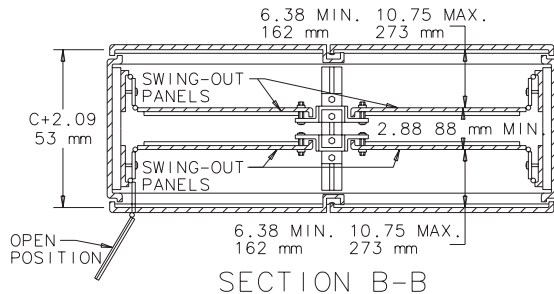
Showing two panels (for one-door enclosures) and center panel support mounted in two-door enclosure.



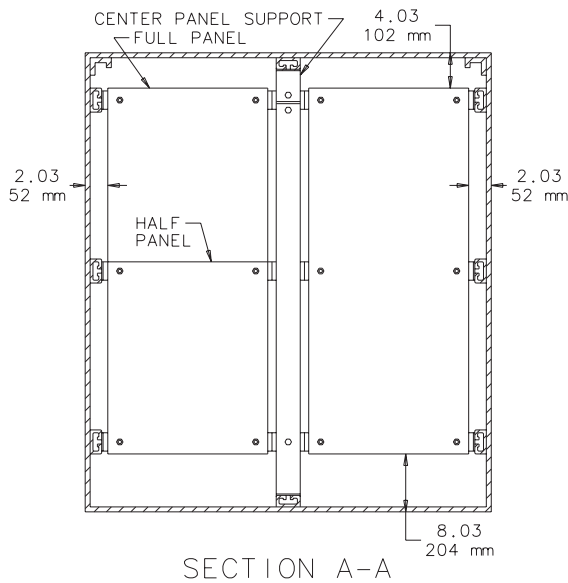
Showing four swing-out panels and center panel support mounted in two-door enclosure.



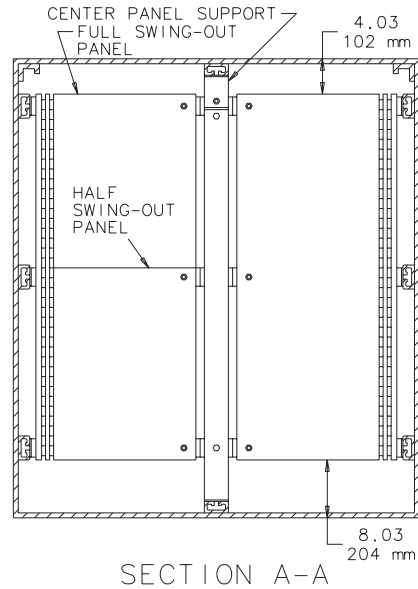
Showing four panels (for one-door enclosures) and two center panel supports mounted in two-door access enclosure.



Showing four swing-out panels and two center panel supports mounted in two-door dual access enclosure.



Panels shown are for one-door free-stand enclosures. Half panel fits in top or bottom half of enclosure.



Showing swing-out panels installed in one-door enclosure.

C2496-C

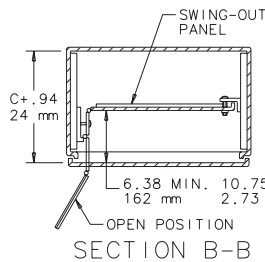
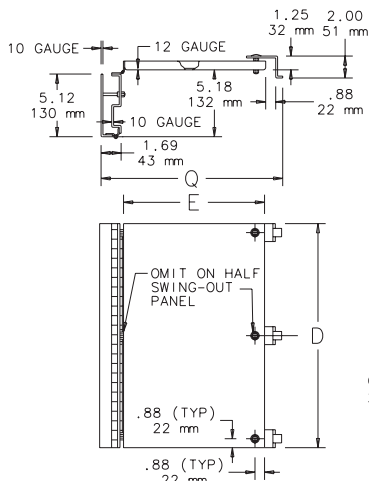
Panels for Enclosures

Swing-Out Panels for Free-Stand Type 4, 4X and 12 Enclosures with Mounting Channel

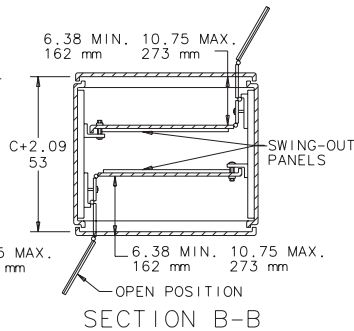
Panels for Free-Stand Type 12 Enclosures, Free-Stand Type 4 Enclosures and One-Door Type 4X Free-Stand Fiberglass Enclosures. Full-length and half-length swing-out panels are available. Half-length panels can be located in the upper or lower portion of the enclosures. Swing-out panels have a 10 gauge steel support frame and two heavy-gauge continuous hinges which permit the panel to swing completely out of the enclosure if it is located within approximately 10.75 in. (273 mm) of the door. These panels are 12 gauge steel and can be mounted on either side of the enclosure. Panels are finished with white polyester powder paint and furnished with plated mounting hardware.

Bulletin: PNL30

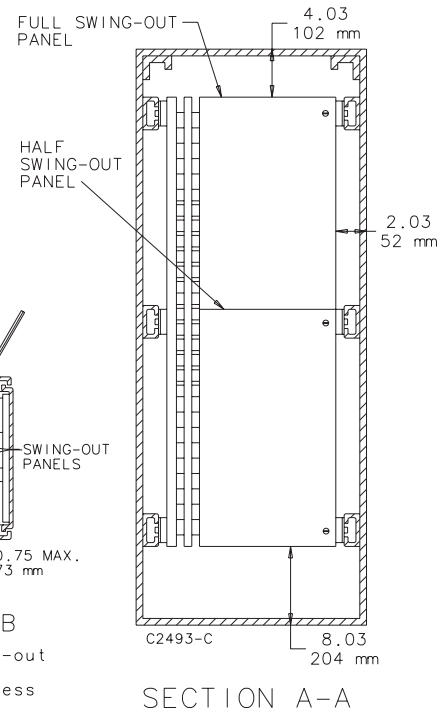
| Catalog Number | Description | Panel Size D x E (in.) | Panel Size D x E (mm) | Fits Enclosure A x B (in.) | Fits Enclosure A x B (mm) | Q (in.) | Q (mm) |
|----------------|-------------|------------------------|-----------------------|----------------------------|---------------------------|---------|--------|
| A72SP24F3 | Full Panel | 60.00 x 18.81 | 1524 x 478 | 72.00 x 24.00 | 1829 x 610 | 21.84 | 555 |
| A72SP24F4 | Half Panel | 30.88 x 18.81 | 784 x 478 | 72.00 x 24.00 | 1829 x 610 | 21.84 | 555 |
| A72SP30F3 | Full Panel | 60.00 x 24.81 | 1524 x 630 | 72.00 x 30.00 | 1829 x 762 | 27.84 | 707 |
| A72SP30F4 | Half Panel | 30.88 x 24.81 | 784 x 630 | 72.00 x 30.00 | 1829 x 762 | 27.84 | 707 |
| A72SP36F3 | Full Panel | 60.00 x 30.81 | 1524 x 783 | 72.00 x 36.00 | 1829 x 914 | 33.84 | 860 |
| A72SP36F4 | Half Panel | 30.88 x 30.81 | 784 x 783 | 72.00 x 36.00 | 1829 x 914 | 33.84 | 860 |
| A90SP36F3 | Full Panel | 78.00 x 30.81 | 1981 x 783 | 90.00 x 36.00 | 2286 x 914 | 33.84 | 860 |
| A90SP36F4 | Half Panel | 39.88 x 30.81 | 1013 x 783 | 90.00 x 36.00 | 2286 x 914 | 33.84 | 860 |



Showing swing-out panel mounted in one-door enclosure



Showing two swing-out panels mounted in one-door dual access enclosure



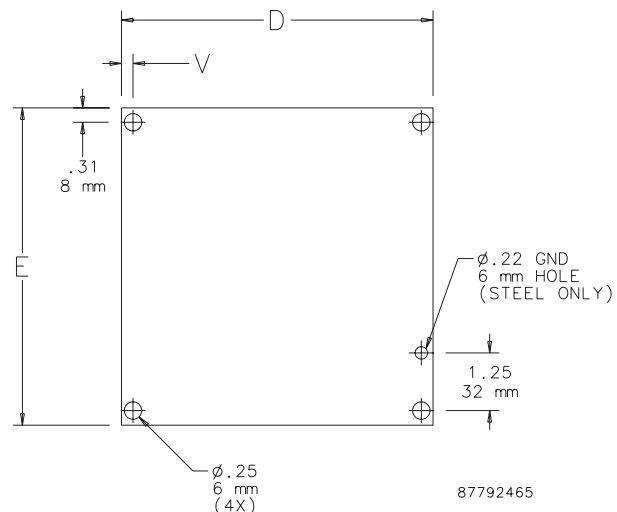
Panels for WiFi Cabinets and Small Wall-Mount Enclosures



Panels are available in both steel and wood. Steel panels are 14 gauge steel with a white polyester powder paint finish. Wood panels are 3/4-in. plywood and are unfinished. Wood panels are supplied with Fiberglass Hinged-Cover and POLYPRO® Type 4X WiFi Cabinets.

Bulletin: DWS12, PNLJ, PNLWM

| Catalog Number | Material | Panel Size D x E (in.) | Panel Size D x E (mm) | V (in.) | V (mm) |
|----------------|----------|------------------------|-----------------------|---------|--------|
| A6P6 | Steel | 4.88 x 4.88 | 124 x 124 | 0.31 | 8 |
| A6P6WD | Wood | 4.88 x 4.88 | 124 x 124 | 0.31 | 8 |
| A16P14 | Steel | 14.75 x 12.88 | 375 x 327 | 0.25 | 6 |
| A16P14WD | Wood | 14.75 x 12.88 | 375 x 327 | 0.25 | 6 |
| A18P16 | Steel | 16.75 x 14.88 | 425 x 378 | 0.25 | 6 |
| A18P16WD | Wood | 16.75 x 14.88 | 425 x 378 | 0.25 | 6 |



87792465