

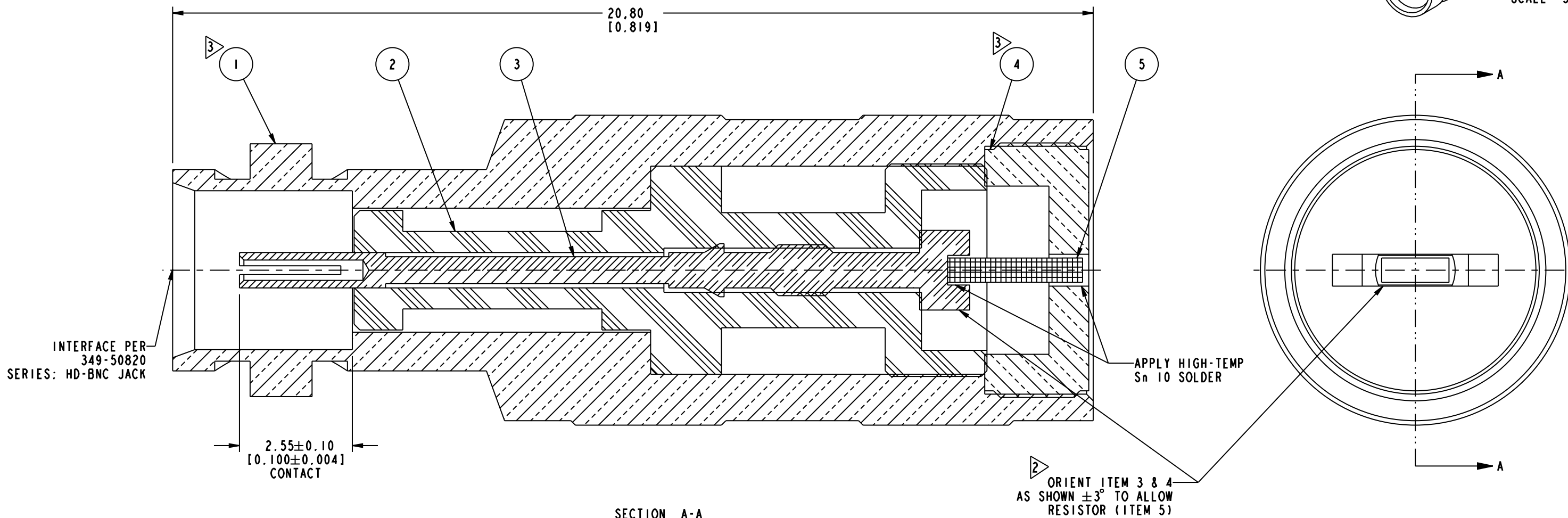
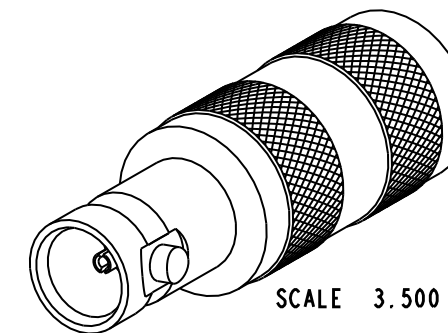
NOTES:

- 1. PLATING PER AMPHENOL SPEC. 349-50560.
- 2. RESISTOR SHOULD BE PLACED ON CONTACT AS SHOWN.
- 3. ITEM 4 IS A PRESS FIT INTO ITEM 1 & MUST WITHSTAND 20 LBS MIN PUSHOUT FORCE WITHOUT ANY MECHANICAL FAILURES.
- 4. PACKAGING:
 - A. PACKAGE CONNECTOR AS PER ROUTING INSTRUCTIONS.
 - B. MARK BAG OR TAG "AMPHENOLRF, APH-HDBNCJ-T YYWW"
 - C. NO ITEMS ARE PACKAGED LOOSE.

THIRD ANGLE PROJ.

REVISIONS

| REV | DESCRIPTION | DATE | ECO | APPR |
|-----|------------------|------|-------|------|
| A | RELEASED TO MFG. | -- | 48098 | NMV |



INTERFACE PER
349-50820
SERIES: HD-BNC JACK

APPLY HIGH-TEMP
Sn 10 SOLDER

2 ORIENT ITEM 3 & 4
AS SHOWN ±3° TO ALLOW
RESISTOR (ITEM 5)

| 34-11154 | | 1 | 5 | RESISTOR (75Ω) | - | |
|-------------|------|------|------|----------------|---------|------------------|
| 34-11082 | JZ | 1 | 4 | BODY | NOTE 1 | BRASS |
| 34-11081 | JZ | 1 | 3 | CONTACT | NOTE 1 | BERYLLIUM COPPER |
| 34-11080 | | 1 | 2 | INSULATOR | NATURAL | PTFE |
| 34-11079 | JZ | 1 | 1 | BODY | NOTE 1 | BRASS |
| PART NUMBER | PLTG | QTY. | ITEM | DESCRIPTION | FINISH | MATERIAL |

UNLESS OTHERWISE SPECIFIED, DIMENSIONS ARE IN METRIC AND TOLERANCES ARE:
 <0.5mm ±0.05mm 0.5 - 6mm ±0.1mm 6 - 30mm ±0.2mm 30 - 120mm ±0.3mm ANGLES ±1°

NOTICE - These drawings, specifications, or other data (1) are, and remain the property of Amphenol corp. (2) must be returned upon request; and (3) are confidential and not to be disclosed to any person other than those to whom they are given by Amphenol Corp. The furnishing of these drawings, specifications, or other data by Amphenol Corp., or to any other person to anyone for any purpose is not to be regarded by implication or otherwise in any manner licensing, granting rights to permitting such holder or any other person to manufacture, use or sell any product, process or design, patented or otherwise, that may in any way be related to or disclosed by said drawings, specifications, or other data.

MATERIAL
SEE TABLE

REFERENCE
EAR # 3968

CONFIGURATION LEVEL: Prototype

FINISH

DRAWN
NISCHIT MV

ENGINEER
BALAJI M

APPROVED

CAD FILE
Root Folder/HD-BNC/APH-HDBNCJ-T

DATE
11-Mar-10

DATE
11-Mar-10

DATE

TITLE
HD-BNC, JACK
TERMINATION

SCALE: 11.0:1.0 SHEET 1 OF 2

DWG SIZE
B

REV
A

Amphenol RF
Danbury CT USA, Tainan, Taiwan, Shenzhen, China
www.amphenolrf.com

DRAWING NO. APH-HDBNCJ-T

ITEM NO. APH-HDBNCJ-T

PART NO. APH-HDBNCJ-T

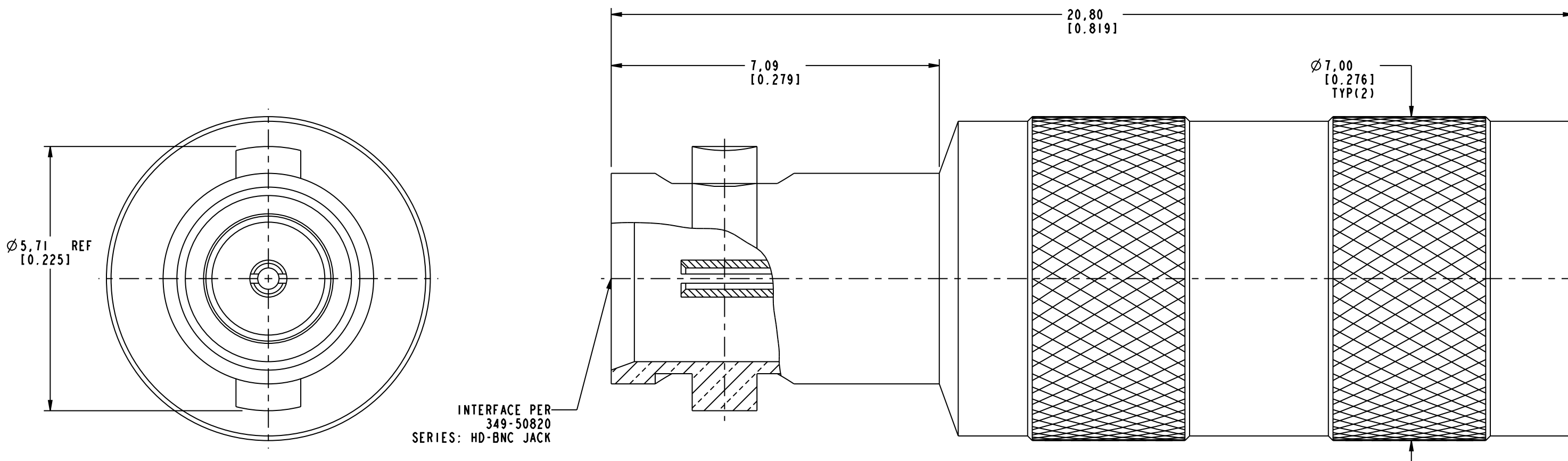
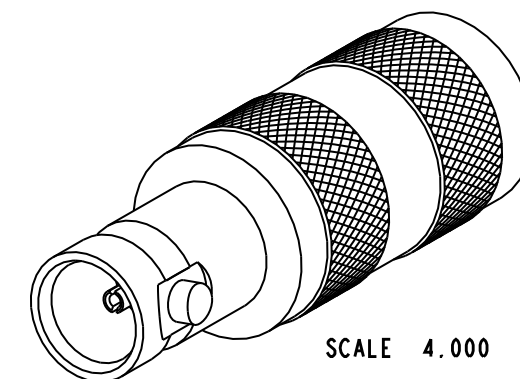
NOTES:

1. MATERIALS AND FINISHES:
 BODIES - BRASS, GOLD PLATING
 CONTACT - BERYLLIUM COPPER, GOLD PLATING
 INSULATOR - PTFE
2. ELECTRICAL:
 A. IMPEDANCE: 75 OHM
 B. FREQUENCY RANGE: DC - 3 GHz
 C. RETURN LOSS : -30 dB MIN AT 3 GHz
3. MECHANICAL:
 A. DURABILITY: 500 CYCLES MIN.
 B. TEMPERATURE RANGE: -65° C TO +165° C
4. PACKAGING:
 A. QUANTITY: SINGLE PACK
 B. MARKING: BAG TO BE MARKED
 "AMPHENOLRF, APH-HDBNCJ-T, AND DATE CODE"

THIRD ANGLE PROJ.

REVISIONS

| REV | DESCRIPTION | DATE | ECO | APPR |
|-----|------------------|------|-------|------|
| A | RELEASED TO MFG. | -- | 48098 | NMV |



CUSTOMER OUTLINE DRAWING
 ALL OTHER SHEETS ARE FOR INTERNAL USE ONLY

UNLESS OTHERWISE SPECIFIED, DIMENSIONS ARE IN METRIC AND TOLERANCES ARE:
 <0.5mm ±0.05mm 0.5 - 6mm ±0.1mm 6 - 30mm ±0.2mm 30 - 120mm ±0.3mm ANGLES ±1°

NOTICE - These drawings, specifications, or other data (1) are, and remain the property of Amphenol corp. (2) must be returned upon request; and (3) are confidential and not to be disclosed to any person other than those to whom they are given by Amphenol Corp. The furnishing of these drawings, specifications, or other data by Amphenol Corp., or to any other person to anyone for any purpose is not to be regarded by implication or otherwise in any manner licensing, granting rights to permitting such holder or any other person to manufacture, use or sell any product, process or design, patented or otherwise, that may in any way be related to or disclosed by said drawings, specifications, or other data.

| | | | | |
|--------------------------------|---------------------------------|-------------------|--------------------------------------|--|
| MATERIAL SEE NOTES | DRAWN NISCHIT MV | DATE 11-Mar-10 | TITLE HD-BNC, JACK TERMINATION | Amphenol RF Danbury CT USA, Tainan, Taiwan, Shenzhen, China www.amphenolrf.com |
| REFERENCE EAR # 3968 | ENGINEER BALAJI M | DATE 11-Mar-10 | | |
| CONFIGURATION LEVEL: Prototype | APPROVED | DATE | SCALE: 11.5:1.0 | SHEET 2 OF 2 |
| FINISH | Root Folder/HD-BNC/APH-HDBNCJ-T | | DWG SIZE B | REV A |
| | | | | DRAWING NO. APH-HDBNCJ-T ITEM NO. APH-HDBNCJ-T PART NO. APH-HDBNCJ-T |